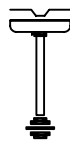


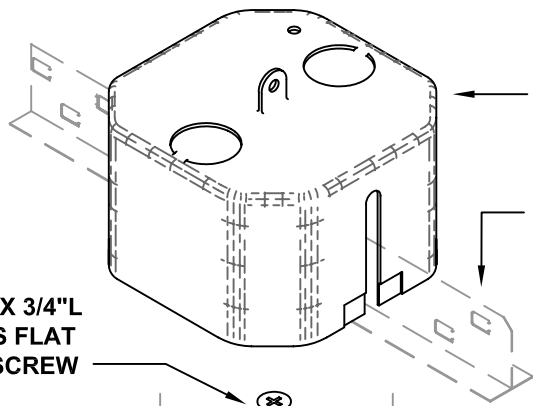
# NORMAL NONFEED JUNCTION BOX MOUNT



**Pendant Systems**

4080-2 Blanche Road  
P.O. Box 371  
Bensalem, PA 19020

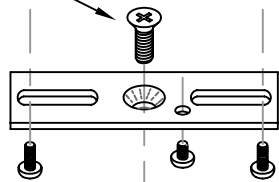
PH: 215-638-8552  
FX: 215-638-8554  
WWW.PendantSystems.com



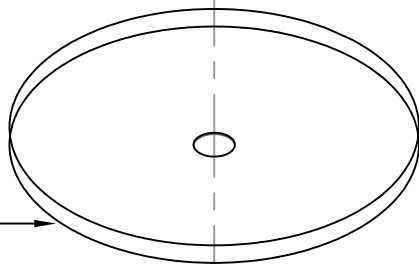
← **DROP CEILING  
JUNCTION BOX  
(ORDERED SEPARATELY)** ②

← **DROP CEILING T-BAR  
BY OTHERS (FOR DROP  
CEILING APPLICATION)**

**1/4"-20 X 3/4"L  
PHILIPS FLAT  
HEAD SCREW**



← **COUNTERSUNK  
1/4"-20 GEM BAR**



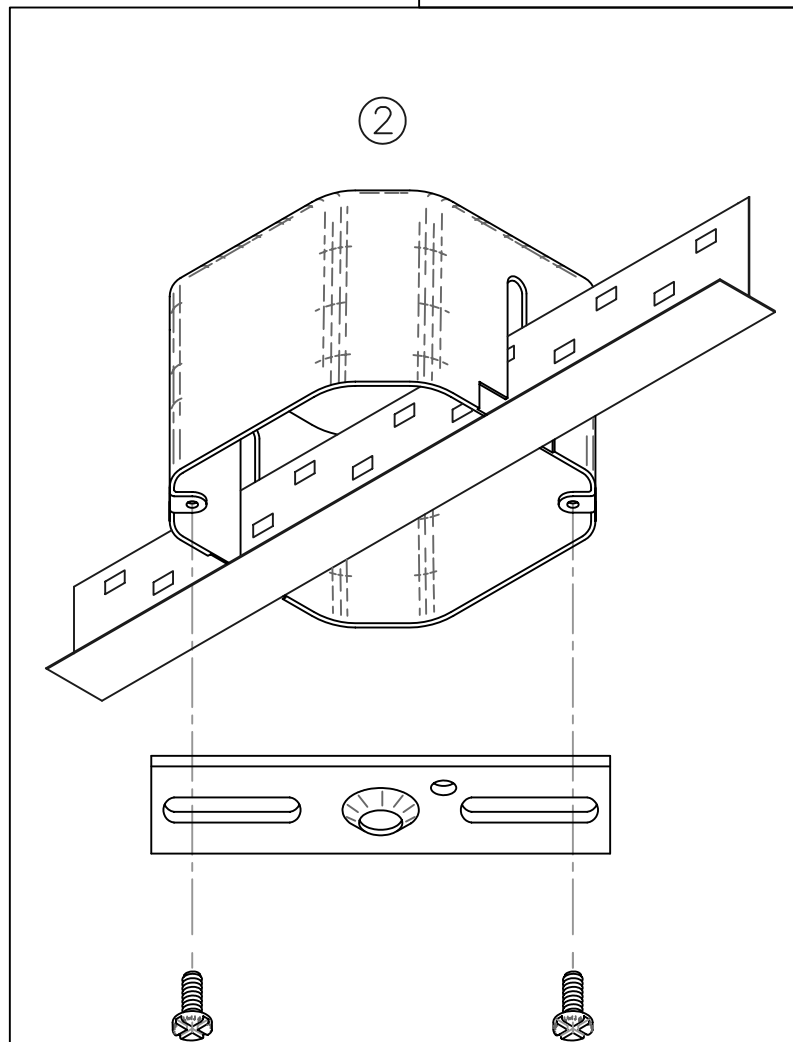
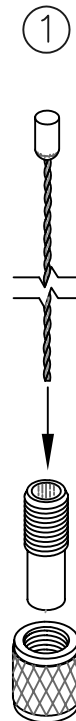
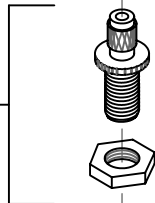
**5" CANOPY**

**TWO PIECE  
CABLE COUPLER**

①

**1/16" CABLE**

**GRIPPER/LOCKNUT  
(SIZE WILL VARY)**



COPYRIGHT (C) BY PENDANT SYSTEMS, ALL RIGHTS RESERVED.  
THIS DOCUMENT CONTAINS CONFIDENTIAL AND PROPRIETARY  
INFORMATION OF PENDANT SYSTEMS. THE USE OR DISTRIBUTION OF  
THIS INFORMATION WITHOUT THE EXPRESS WRITTEN CONSENT OF  
PENDANT SYSTEMS IS STRICTLY PROHIBITED.