

ALL SCREWS INSERTED

This Document
Contains Proprietary
Data that is property
of Pendant Systems
which reserves all
rights to it.
Unauthorized use
without authorization
is prohibited.

Pendant Systems

1670 Winchester Rd.
Bensalem, PA 19020
P-215-638-8552
F-215-638-8554
www.PendantSystems.com

UNLESS OTHERWISE SPECIFIED DIMENSIONS ARE IN BOTH INCHES & MILLIMETERS UNLESS OTHERWISE NOTED TOLERANCES:
LINEAR: XX= .02" XXX= $\pm .010$ " ANGULAR: ± 1 Degree

FINISH:
NICKEL

Part #
Stabilizer Ring 3/8 IP

DO NOT SCALE DRAWING
DEBUR AND BREAK SHARP EDGES

MATERIAL:
BRASS

Title:
REVISION

DRAWN DATE: **12/18/19**

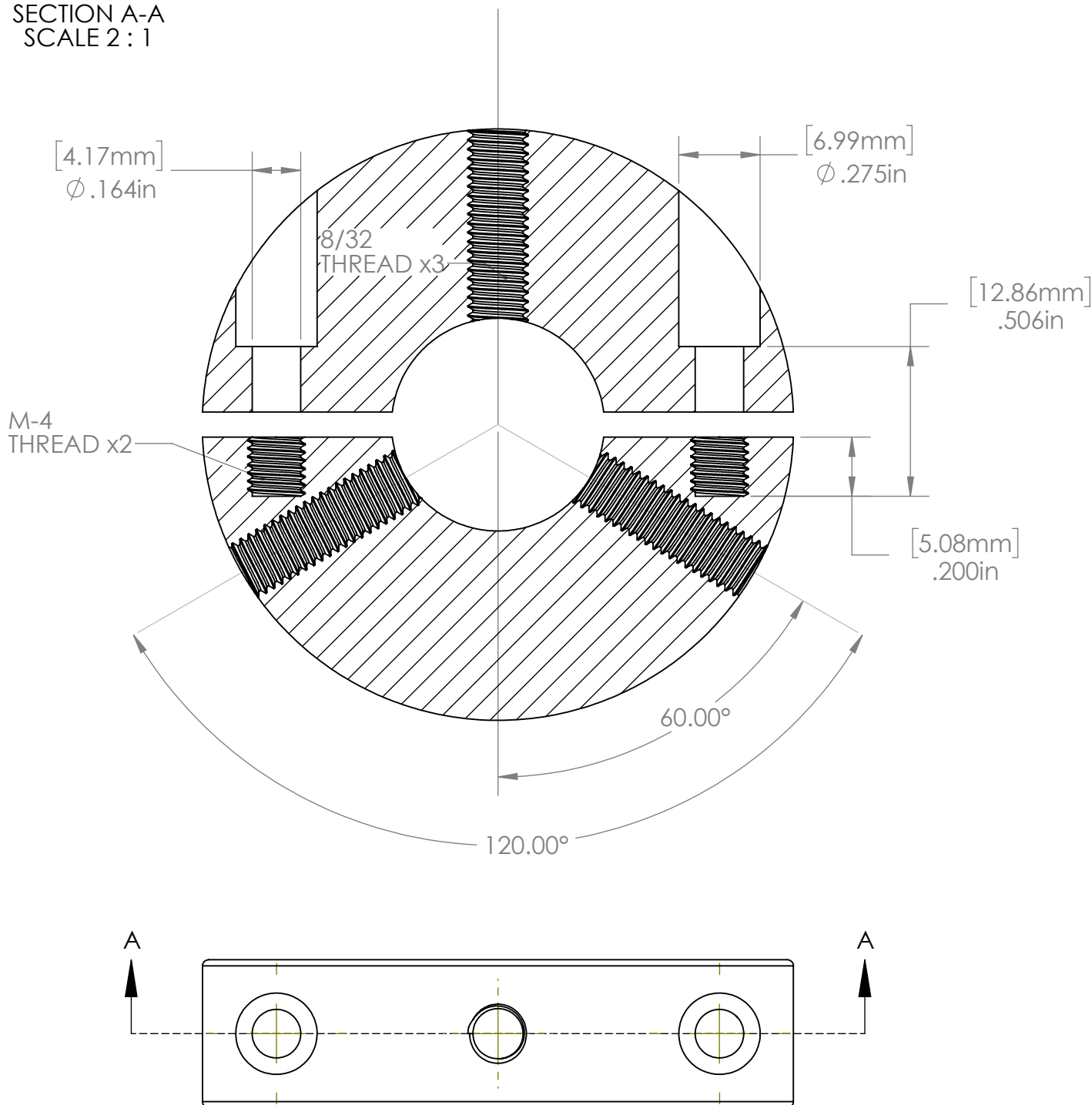
Drawn By: **MWR**

SCALE: NTS

SHEET 1 OF 2

REVISION

SECTION A-A
SCALE 2 : 1



This Document
Contains Proprietary
Data that is property
of Pendant Systems
which reserves all
rights to it.
Unauthorized use
without authorization
is prohibited.

Pendant Systems

1670 Winchester Rd.
Bensalem, PA 19020
P-215-638-8552
F-215-638-8554
www.PendantSystems.com

UNLESS OTHERWISE SPECIFIED DIMENSIONS ARE IN BOTH INCHES & MILLIMETERS UNLESS OTHERWISE NOTED TOLERANCES:

LINEAR: XX= .02" XXX= \pm .010" ANGULAR: \pm 1 Degree

FINISH:

NICKEL

Part #

Stabilizer Ring 3/8 IP

DO NOT SCALE DRAWING

DEBUR AND BREAK SHARP EDGES

MATERIAL:

BRASS

Title:

Section View

REVISION

DRAWN DATE: 12/18/19

Drawn By: MWR

SCALE: NTS

SHEET 2 OF 2