

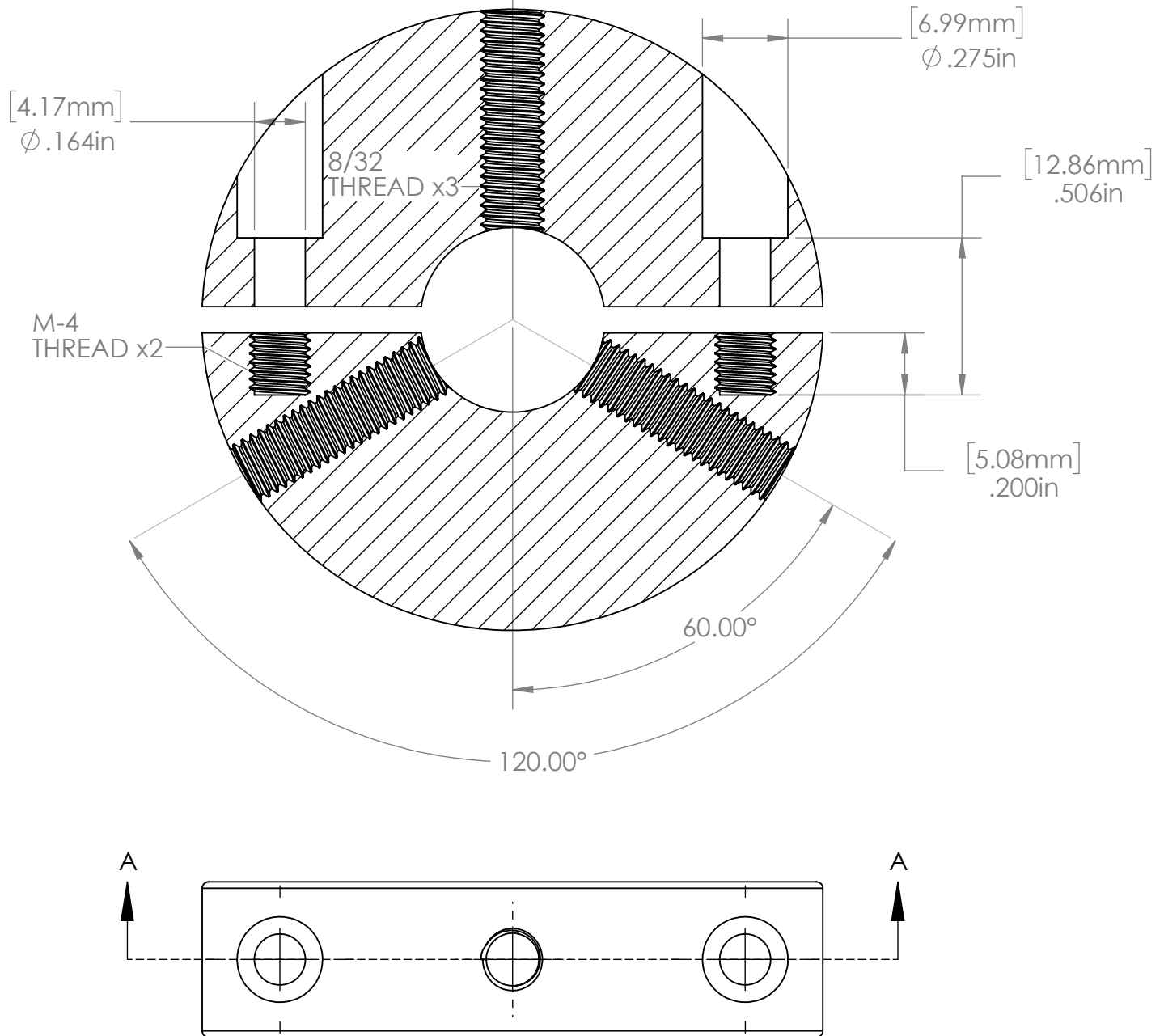
ALL SCREWS INSERTED

This Document
Contains Proprietary
Data that is property
of Pendant Systems
which reserves all
rights to it.
Unauthorized use
without authorization
is prohibited.

Pendant Systems
1670 Winchester Rd.
Bensalem, PA 19020
P-215-638-8552
F-215-638-8554
www.PendantSystems.com

UNLESS OTHERWISE SPECIFIED DIMENSIONS ARE IN BOTH INCHES & MILLIMETERS UNLESS OTHERWISE NOTED TOLERANCES: LINEAR: XX= .02" XXX= $\pm .010$ " ANGULAR: ± 1 Degree		FINISH: NICKEL	Part # Stabilizer Ring 1/4 IP
DO NOT SCALE DRAWING	MATERIAL: BRASS	Title:	REVISION
DEBUR AND BREAK SHARP EDGES	Drawn By: MWR	SCALE: NTS	SHEET 1 OF 2
DRAWN DATE: 12/17/19			

SECTION A-A
SCALE 2 : 1



This Document
Contains Proprietary
Data that is property
of Pendant Systems
which reserves all
rights to it.
Unauthorized use
without authorization
is prohibited.

Pendant Systems
1670 Winchester Rd.
Bensalem, PA 19020
P-215-638-8552
F-215-638-8554
www.PendantSystems.com

UNLESS OTHERWISE SPECIFIED DIMENSIONS ARE IN BOTH INCHES & MILLIMETERS UNLESS OTHERWISE NOTED TOLERANCES:
LINEAR: XX= .02" XXX= \pm .010" ANGULAR: \pm 1 Degree

DO NOT SCALE DRAWING
DEBUR AND BREAK SHARP EDGES

FINISH:
NICKEL

MATERIAL:
BRASS

Part #
Stabilizer Ring 1/4 IP

Title:
Section View

DRAWN DATE: **12/17/19**

Drawn By: **MWR**

SCALE: NTS

SHEET 2 OF 2

REVISION