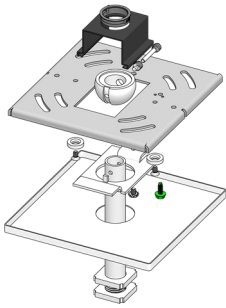


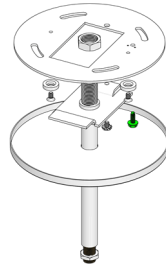
Pendant Systems

The Lighting Suspension Specialists www.PendantSystems.com P-215-638-8552 F-215-638-8554

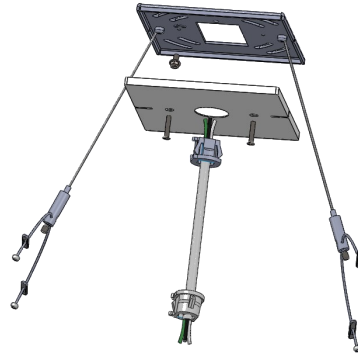
Mono Point System Highlights



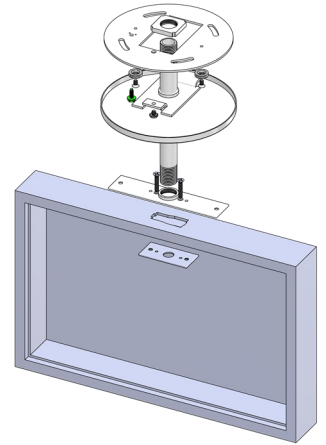
Magnet Swivel Stem Feed



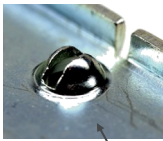
Magnet Fixed Stem Feed



High Bay Cord Feed



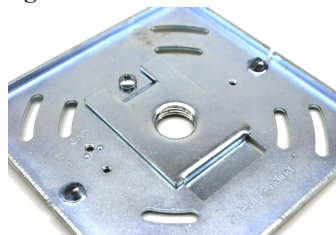
Exit Cord Feed W/Exit Bracket



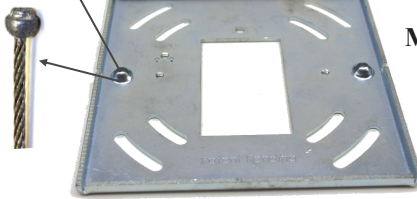
Custom Extruded Slot to accept the Half Ball End Cables to allow Cable Swiveling Action



Fixture Gripper Attachment



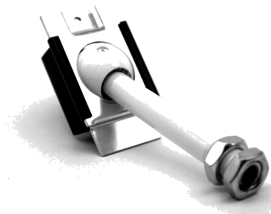
MP Crossbar W/ MP Plate 3/8IP



MP Crossbar



MP Plate 3/8IP



HB Plate & Swivel Clip



Ceiling Canopy Mounting

Mono Point Product Features

- Single Point Mounting System for Feed and Fixture Support from a center location
- Uses Magnets to hold up canopy
- Available with Square or Round Canopies
- Retrofitting existing High Bay HID Systems is easier
- Mounts to 4" square and 4" octagonal boxes easily with universal mounting pattern screw hole slots
- Custom extruded cable slot holders to allow cable to swivel outward to ends of fixture
- Low profile
- Interchangeable center mounting plate with 1/8" IP, 1/4" IP, 3/8" IP, 1/2" IP & Half Ball Swivel Plate
- Cord or Stem Power Feed to fixture
- Stem fixed or swivel mounted to give more stability in air movement situations
- Can be used with side support cables or stand alone stem mounting for use as a normal stem configuration

Applications

- High Bay Cord or Stem Feed (Fixed or Swivel)
- Direct / Indirect Cord or Stem Feed
- Exit Cable or Stem Mount
- LED or Cylinder 2-point Mount
- Parking Garage Retrofit with Center Fixed or Swivel Stem Feed & Stainless Cables to minimize movement

Finishes

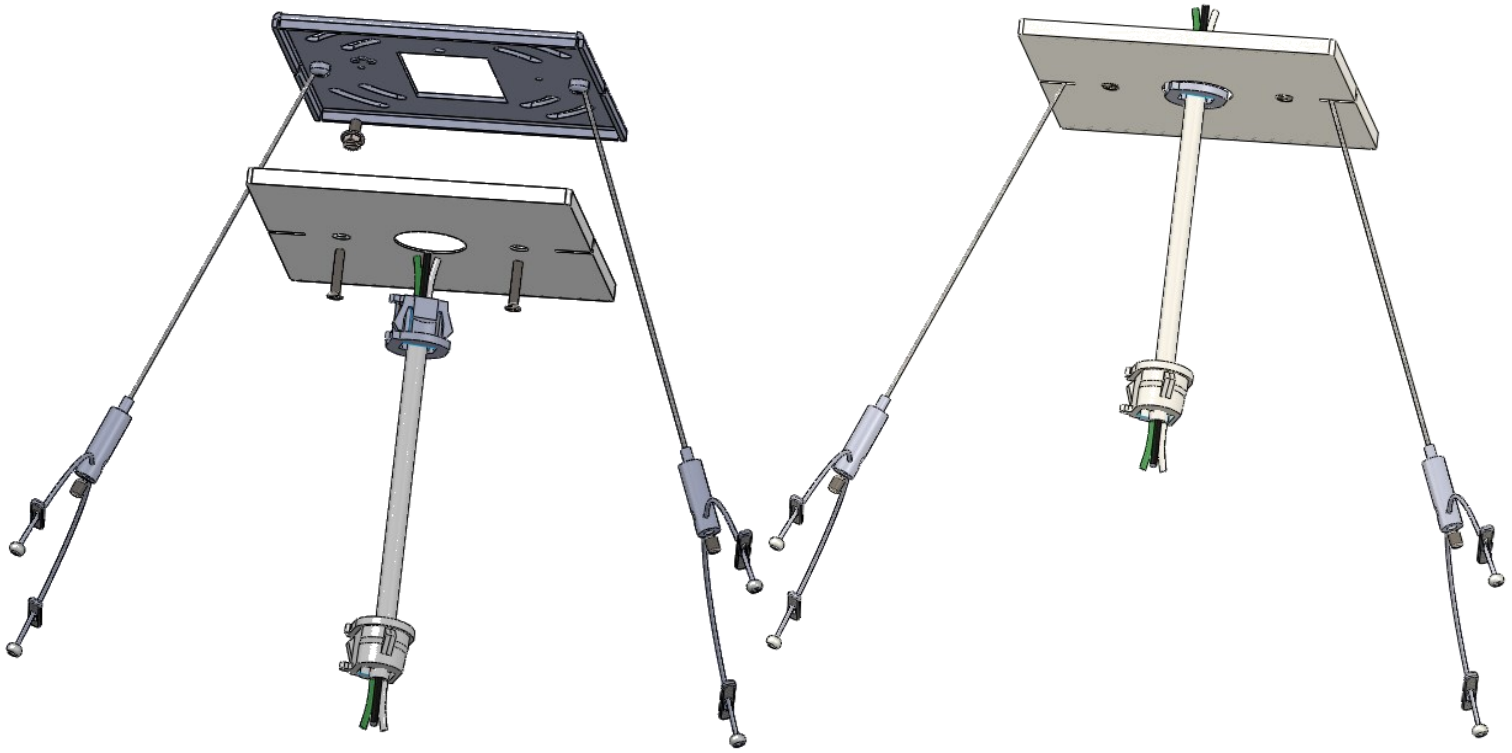
White, Black, Nickel, Brushed Nickel

Patent US 9133981B2 Pendant Systems Manufacturing Co.

Pendant Systems

The Lighting Suspension Specialists www.PendantSystems.com P-215-638-8552 F-215-638-8554

Mono Point High Bay Cord Feed System



Mono Point High Bay Cord Feed Product Features

- Single Point Mounting System for feed and fixture support from a center location
- Retrofitting existing High Bay HID Systems is easier
- Mounts to 4" square and 4" octagonal boxes easily with universal mounting pattern screw hole slots to vary the positioning of the fixture (50 lb. maximum weight load per NEC 314.27)
- Custom extruded cable slot holders allow cable to swivel outward toward ends of fixture for support
- Adjustable height and low profile for a clean look
- Various type cord can be included in kit
- A strain relief is provided for .290"-.385" diameter cables for fixture & canopy with .875" knock out openings
- Various grippers for fixture attachment are available. See Mono Point Ordering Matrix for Part #'s
- 1/16" HB End Cable Lengths of 24" & 36" Stainless and 50", 60", 120", 180", 240" Galvanized Available

Applications

- High Bay Lighting , Direct / Indirect Lighting, LED or Cylinder 2-point Mount
- Static (stationary loads only), Not Dynamic (swaying or wind conditions not recommended)

Finishes

White Canopy, Galvanized MP-Crossbar

Part Numbers

See Mono Point Matrix on for Catalog Numbering System p. 13-14

Patent US 9133981B2 Pendant Systems Manufacturing

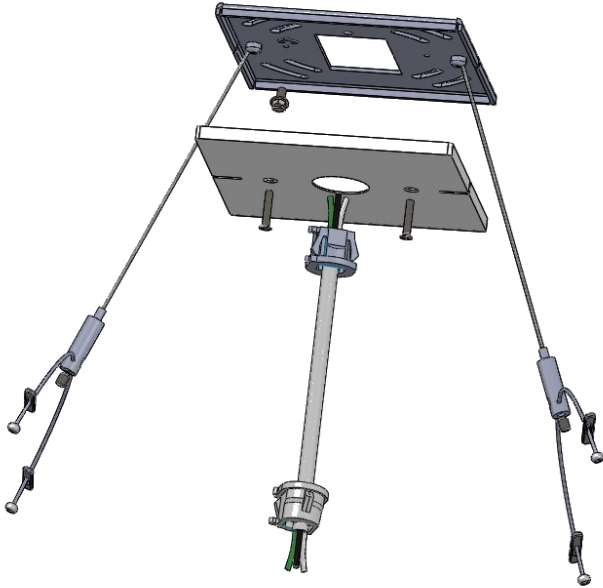
Example Part #'s of Above Illustration		
Length	W/18/3 Cord	No Cord
60"	MP15/60-16 36PD 18/3SJT	MP15-/60-16 36PD
120"	MP15/120-16 36PD 18/3SJT	MP15/120-16 36PD
180"	MP15/180-16 36PD 18/3SJT	MP15/180-16 36PD
240"	MP15/240-16 36PD 18/3SJT	MP15/240-16 36PD

Pendant Systems

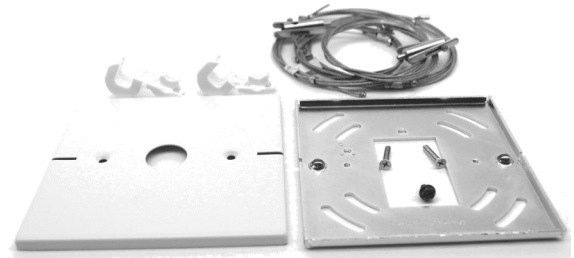
The Lighting Suspension Specialists www.PendantSystems.com P-215-638-8552 F-215-638-8554

Mono Point High Bay Cord Feed System Kit Examples

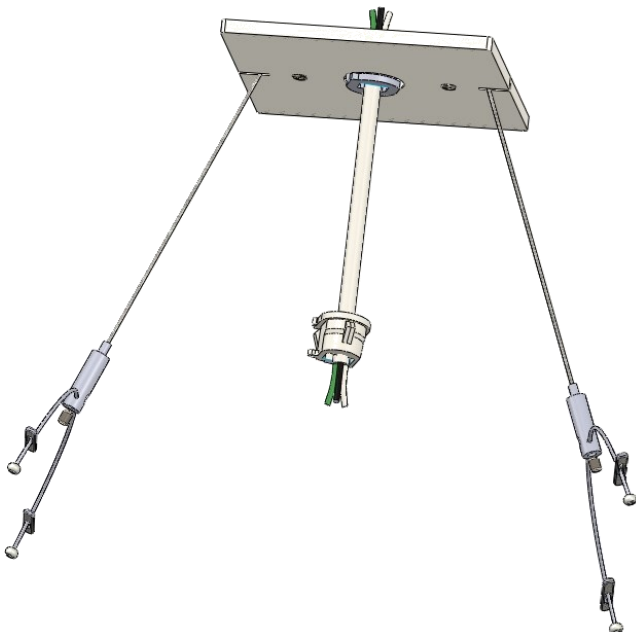
MP- 15/60-36PD (No Cord)



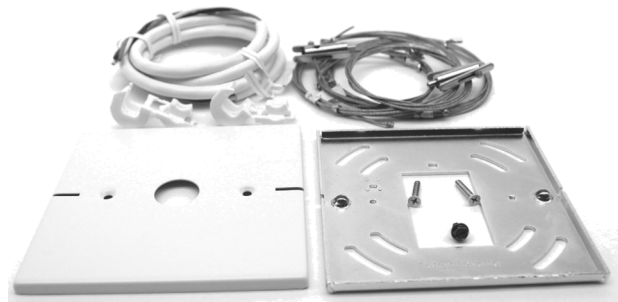
- | | |
|-------------------------|--|
| 1- MP Crossbar | Mono Point Base Crossbar |
| 1-#32 | 8/32" x 5/16" Slot Ground Screw |
| 1-#242B SQ SL RM WHT | 5" Square Canopy w/.575"CH |
| 2-MP SCREW WHT | 6/32" x 3/4"L Flat Phillips |
| 2-AC1/16-60G-HB | 1/16" Cables w/ 60" HB Ends |
| 2- MGR-SE-TH w/36CAB PD | Captive Gripper w/ PD & CC |
| 2-#171 | Strain Relief Bushing White for 18/3, 18/4 & 18/5 cord |



MP- 15/60-36PD-18/3SJT



- | | |
|-------------------------|---------------------------------|
| 1- MP Crossbar | Mono Point Base Crossbar |
| 1-#32 | 8/32" x 5/16" Slot Ground Screw |
| 1-#242B SQ SL RM WHT | 5" Square Canopy w/.575"CH |
| 2-MP SCREW WHT | 6/32" x 3/4"L Flat Phillips |
| 2-AC1/16-60G-HB | 1/16" Cables w/ 60" HB Ends |
| 2- MGR-SE-TH w/36CAB PD | Captive Gripper w/ PD & CC |
| 2-#171 | Strain Relief Bushing White |
| 6-SCCOIL 18/3 | 6' of 18/3 SJT Cord |

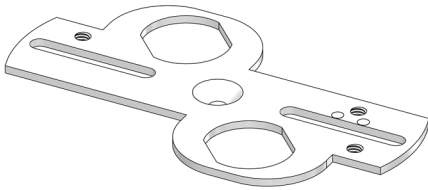


Pendant Systems

The Lighting Suspension Specialists www.PendantSystems.com P-215-638-8552 F-215-638-8554

Introducing Mono Point Magnet Mounted Kits

Magnet Mounted Kits allow you to lose the Slip Ring on the outside of the canopy. The Magnets support the canopy to the ceiling offering a beautiful & sleek look.



Mag Bar

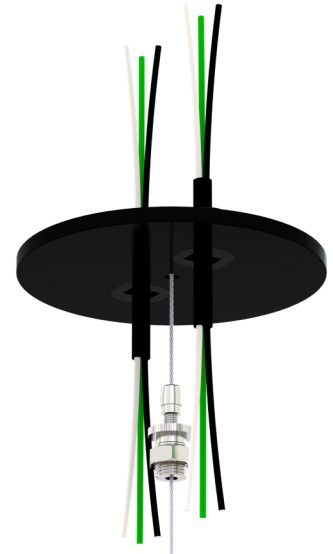
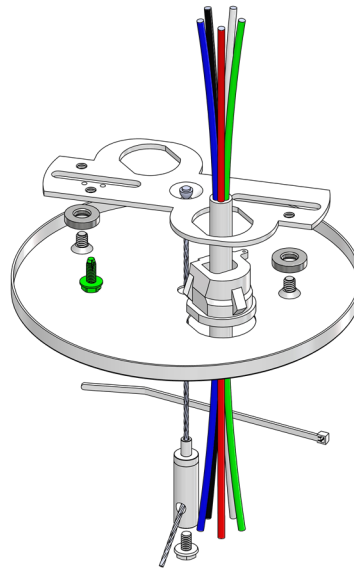
Cross Bar for Magnet Use
Accommodates #126 & #171
4.140" L x 1.000" W



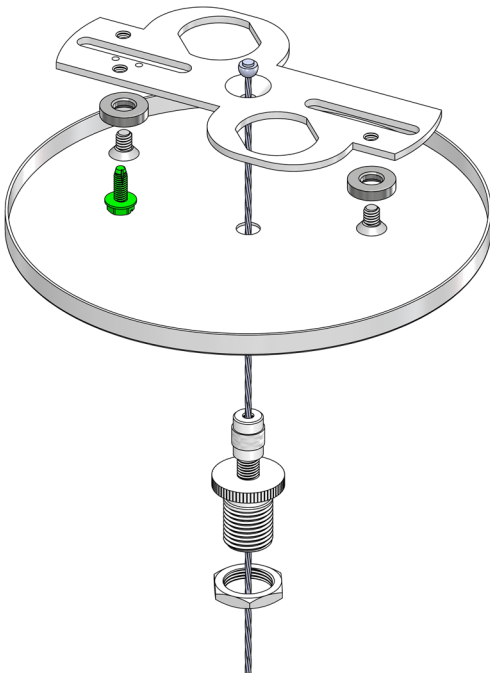
T-Bar Coupler

Coupler for Half Ball Cable
Used with Magnet to support
canopy with T-Bar application

Feed Kit



Non-Feed Kit



T-Bar Non-Feed Kit

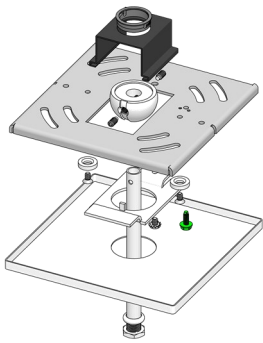


Pendant Systems

The Lighting Suspension Specialists www.PendantSystems.com P-215-638-8552 F-215-638-8554

MONO POINT STEM SERIES: MAGNET SWIVEL STEM FEED SYSTEM

- Sleek Design
- Available in Round or Square Canopies
- Single Point Mounting System for feed and fixture support from a center location
- Minimizes fixture movement
- Stem lengths are fixed and available in 1/8"IPS, 1/4"IPS, 3/8"IPS & 1/2"IPS diameters. Patent# US 9133981B2
- (Stems must be ordered separately).
- Swivel Rotation depends on the size of stem. 1/8"IPS (45°), 1/4"IPS (45°), 3/8"IPS (42°) & 1/2"IPS (38°)
- Available in Field Cut Adjustable System to cut and pin stem to desired height without threading stem for 3/8"IPS, 1/4"IPS & 1/8"IPS sizes (Add Suffix ADJ); Drill Bit & Allen wrench are included (Tool Kit)

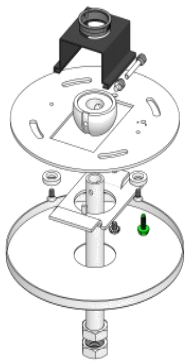


MP-SW1/8 MAG ADJ- 1/8"IP MP SWIVEL STEM KIT

- 1- MP Crossbar: Mono Point Base Crossbar
- 1-#32: 8/32" x 5/16" Ground Screw
- 1-#276B SQ: 5" Square Canopy w/1.180" CH
- 1-#133: 1/8"IP Hex Nut 1/8" Thick
- 1-#183: 8/32" x1/4" Phillips Zinc Screw
- 1-MP PLATE HB: Mono Point Crossbar Center Plate
- 1-272 ADJ: 1/8"IPS Adjustable Half Ball
- 1-MP SWIVEL CLIP: Mono Point Retaining Clip
- 1-#237: 7/8" Hole Bushing
- 2-Magnet: #6 & #8 Holes
- 2-#271: 6/32" x 1/4" L Flat Head Screw
- 2-#273: 8/32" x .3235" L Half Dog Point Set Screw

See website for more
Monopoint Swivel Magnet kits in
1/4" IP, 3/8"IP & 1/2"IP.

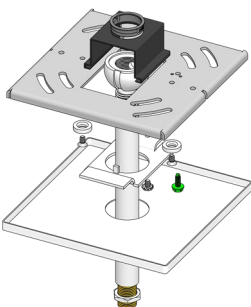
**Sample
Square Magnet kit with
Field Adjustable Half Ball**



MP-SW1/4 RD MAG ADJ- 1/4"IP MP SWIVEL STEM KIT

- 1- MP Crossbar Round: Mono Point Base Crossbar
- 1-#32: 8/32" x 5/16" Ground Screw
- 1-#276B: 5" Round Canopy w/1.180" CH
- 2-#64: 1/4"IP Hex Nut 1/4" Thick
- 1-#183: 8/32" x1/4" Phillips Zinc Screw
- 1-MP PLATE HB: Mono Point Crossbar Center Plate
- 1-35 ADJ WPB: 1/4"IPS Adjustable Half Ball White
- 1-ADJ-SS: 1/4"-20 Short Allen Hex Head Pin
- 1-SSS: 1/4"-20 Long Allen Hex Head Pin
- 1-MP SWIVEL CLIP: Mono Point Retaining Clip
- 1-#237: 7/8" Hole Bushing
- 2-Magnet: #6 & #8 Holes
- 2-#271: 6/32" x 1/4" L Flat Head Screw

**Sample
Round Magnet kit with
Field Adjustable Half Ball**



MP-SW3/8 MAG ID -3/8"IP MP SWIVEL STEM KIT

- 1- MP Crossbar: Mono Point Base Crossbar
- 1-#32: 8/32" x 5/16" Ground Screw
- 1-#276B SQ: 5" Square Canopy w/1.180" CH
- 1-#183: 8/32" x1/4" Phillips Zinc Screw
- 1-MP PLATE HB: Mono Point Crossbar Center Plate
- 1-34: 3/8"IPS Half Ball White
- 1-MP SWIVEL CLIP: Mono Point Retaining Clip
- 1-237: 7/8" Hole Bushing
- 2-Magnet: #6 & #8 Holes
- 2-#271: 6/32" x 1/4" L Flat Head Screw
- 1-#25: 1/4"IP Nut 1/8" Thick
- 1-#49-1: 1/4" IP Nipple 1" L

**Sample
Square Magnet kit with ID
thread stem**

Patent# US 9133981B2

Pendant Systems

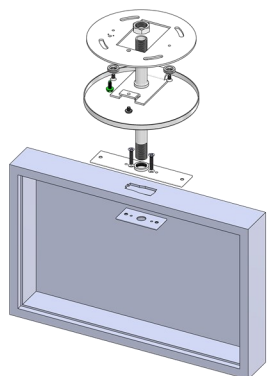
The Lighting Suspension Specialists www.PendantSystems.com P-215-638-8552 F-215-638-8554

MONO POINT STEM SERIES: MAGNET EXIT SIGN SYSTEM

- **Single Point Mounting System** for feed and fixture support from a center location for Exit Signs
- **Available in Round and Square Canopies**
- **Stem lengths are fixed and available in 1/4"IPS and 3/8"IPS.** (Stems must be ordered separately).
- **The Exit Bracket is adaptable to most signs** because it has multiple tapped holes for different mounting patterns

Patent# US 9133981B2

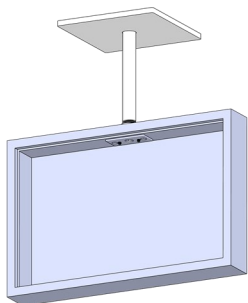
MP-ST1/4 Exit RD MAG- 1/4" IP Mono Point Exit Stem Kit



1- MP Crossbar Round: Mono Point Base Crossbar
1-#32: 8/32" x 5/16" Slot Ground Screw
1-#278B: 5" Square Canopy w/.530" CH
1-#64: 1/4"IP Hex Nut 1/4" Thick
1-#183: 8/32" x1/4" Phillips Zinc Screw
1-MP PLATE 1/4IP: MP Plate w/ 1/4"IP Tapped CH
1-Exit Base: Bracket 6/32" Tapped & Slip Holes
1-Exit BRKT 1/4 IP: 1/4" IP Tapped CH & 6/32" Tapped
2-Exit BRKT Screw: 6/32" x 3/4" L Flat Head Phillips
2-Magnet: #6 & #8 Holes
2-#271: 6/32" x 1/4" L Flat Head Screw

**Sample Round Exit
Magnet kit**

MP-ST3/8 Exit MAG - 3/8"IP Mono Point Exit Stem Kit



1- MP Crossbar: Mono Point Base Crossbar
1-#32: 8/32" x 5/16" Ground Screw
1-#277B SQ: 5" Square Canopy w/.660" CH
1-#22: 3/8"IP Square Nut
1-#183: 8/32" x1/4" Phillips Zinc Screw
1-MP PLATE 3/8IP: MP Plate w/ 3/8"IP Tapped CH
1-Exit Base: Bracket 6/32" Tapped & Slip Holes
1-Exit BRKT 3/8 IP: 3/8" IP Tapped CH & 6/32" Tapped
2-Exit BRKT Screw: 6/32" x 3/4" L Flat Head Phillips
2-Magnet: #6 & #8 Holes
2-#271: 6/32" x 1/4" L Flat Head Screw

**Sample Square Exit
Magnet kit**

Pendant Systems

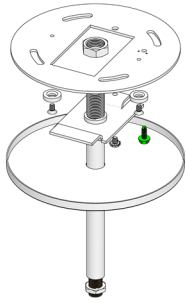
The Lighting Suspension Specialists www.PendantSystems.com P-215-638-8552 F-215-638-8554

MONO POINT STEM SERIES: MAGNET FIXED STEM FEED SYSTEM

- Single Point Mounting System for feed and fixture support from a center location
- Minimizes fixture movement
- Low profile with recessed 6/32" painted mounting screws for canopy
- Stem lengths are fixed and available in 1/4"IPS, 3/8"IPS & 1/2"IPS diameters.
(Stems must be ordered separately)

Patent# US 9133981B2

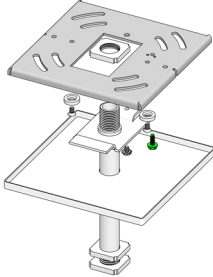
MP-ST1/4 MAG ID-1/4" IP MONO POINT STEM KIT



- 1- MP Crossbar: Mono Point Base Crossbar
- 1-#32: 8/32" x 5/16" Slot Ground Screw
- 1-#278B SQ: 5" Square Canopy w/.530" CH
- 1-#64: 1/4"IP Hex Nut 1/4" Thick
- 1-#183: 8/32" x 1/4" Phillips Zinc Screw
- 1-MP PLATE 1/4IP:MP Plate w/ 1/4"IP Tapped CH
- 1-#60-1: 1/8" IP Nipple 1" L
- 1-#133: 1/8" IP Nut 1/8" Thick
- 2-Magnet: #6 & #8 Holes
- 2-#271: 6/32" x 1/4" L Flat Head Screw

Sample of a Round Magnet Fixed Stem Kit for a Internal threaded stem

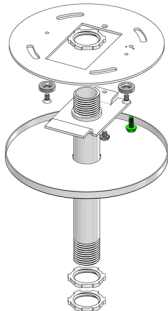
MP-ST3/8 MAG- 3/8"IP MONO POINT STEM KIT



- 1- MP Crossbar: Mono Point Base Crossbar
- 1-#32: 8/32" x 5/16" Ground Screw
- 1-#277B SQ: 5" Square Canopy w/.660" CH
- 3-#22: 3/8"IP Square Nut
- 1-#183: 8/32" x 1/4" Phillips Zinc Screw
- 1-MP PLATE 3/8IP: MP Plate w/ 3/8"IP Tapped CH
- 2-Magnet: #6 & #8 Hole
- 2-#271: 6/32" x 1/4" Flat Head Screw

Sample of a Square Magnet Fixed Stem Kit

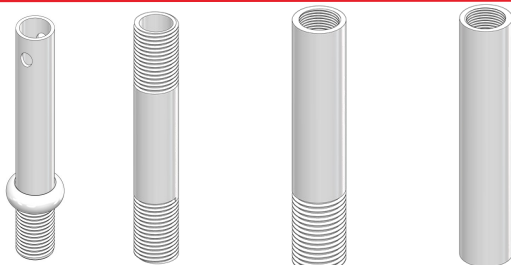
MP-ST1/2 RD MAG-1/2"IP MONO POINT STEM KIT



- 1- MP Crossbar Round: Mono Point Base Crossbar
- 1-#32: 8/32" x 5/16" Ground Screw
- 1-#279B: 5" Round Canopy w/.845" CH
- 3-#77: 1/2"IP Lock Nut
- 1-#183: 8/32" x 1/4" Phillips Zinc Screw
- 1-MP PLATE 1/2IP: MP Plate w/ 1/2"IP Tapped CH
- 2-Magnet: #6 & #8 Holes
- 2-#271: 6/32" x 1/4" L Flat Head Screw

Sample of a Round Magnet Fixed Stem Kit

Stems



1/4" IPS, 3/8" IPS, and 1/2" IPS Stems are 16 gauge steel tubing and threaded 3/4" at each end.

Internal Diameter threading is now available on 1/4" IPS (1/8" IP thread) & 3/8" IPS (1/4" IP thread) steel tubing.

1/8"IPS Stem With Bead Nut and Pin Holes
20 Gauge x 36"Length x 9/16" Thread