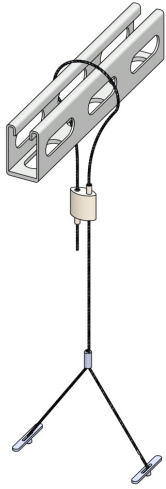


Pendant Systems

The Lighting Suspension Specialists www.PendantSystems.com P-215-638-8552 F-215-638-8554

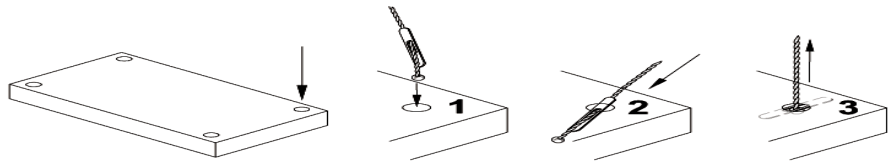
High Bay "Y"- Cable Suspension Kits



High Bay Suspension Kit, includes 2 each galvanized 1/16" cables with "Y" intersection with 18" legs, with captive paddles for inserting into .250" holes in fixture. Kits includes 2 each of KL-100 for attaching the single end of the cable around structure .
80Lbs Per Cable Max Weight

HB-LG-60-6Y-PAD	Packed with 2 each 60" Y Cables and KL-100
HB-LG-120-6Y-PAD	Packed with 2 each 120" y Cables and LG-16
HB-LG-60-18Y-PAD	Packed with 2 each 60" Y Cables and LG-16
HB-LG-120-18Y-PAD	Packed with 2 each 120" Y Cables and LG-16
HB-LG-180-18Y-PAD	Packed with 2 each 180" Y Cables and LG-16
HB-LG-240-18Y-PAD	Packed with 2 each 240" Y Cables and LG-16

Paddle
Insertion
Into
Fixture



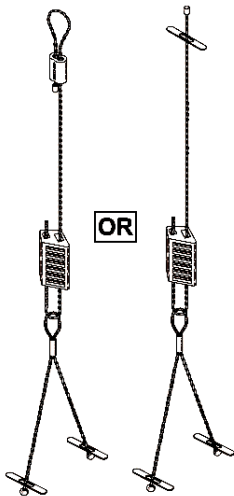
High Bay "Y"- Cable Suspension Kits

High Bay Suspension Kit, includes 2 each galvanized 1/16" cables with "Y" intersection with 18" legs, with captive paddles for inserting into .250" holes in fixture. Kits includes 2 each of LG-16 gripper for attaching the single end of the cable around structure .
80Lbs Per Cable Max Weight

HB-LG-60-6Y-PAD	Packed with 2 each 60" Y Cables and LG-16
HB-LG-120-6Y-PAD	Packed with 2 each 120" y Cables and LG-16
HB-LG-60-18Y-PAD	Packed with 2 each 60" Y Cables and LG-16
HB-LG-120-18Y-PAD	Packed with 2 each 120" Y Cables and LG-16
HB-LG-180-18Y-PAD	Packed with 2 each 180" Y Cables and LG-16
HB-LG-240-18Y-PAD	Packed with 2 each 240" Y Cables and LG-16

High Bay "Y"- Cable Loop and Paddle Suspension Kits

This High Bay Kit allows use of our standard galvanized steel stock cable assemblies with #1 stop to loop over structure using the #112 loop adapter or insert through 1/4" Hole in metal decking using PD-1/16 Paddle end with cable stop. The cut end of cable captures the loop in Y (6" or 18") paddle assembly using the KL-100 Kwik-Loc device. The height adjustability would be directly overtop the fixture end for easy adjustability.
75Lbs Per Cable Max Weight



HB-72-18Y PAD-L&P	2-AC1/16-72, 2-#112, 2-PD1/16, 2-KL100, 2-AC1/16-36-18Y PAD
HB-120-18Y PAD-L&P	2-AC1/16-120, 2-#112, 2-PD1/16, 2-KL100, 2-AC1/16-36-18Y PAD
HB-200-18Y PAD-L&P	2-AC1/16-200, 2-#112, 2-PD1/16, 2-KL100, 2-AC1/16-36-18Y PAD
HB-250-18Y PAD-L&P	2-AC1/16-250, 2-#112, 2-PD1/16, 2-KL100, 2-AC1/16-36-18Y PAD

*Kits are available with 6" Y legs as well as the 18Y legs as shown above on Part Numbers 75

Pendant Systems

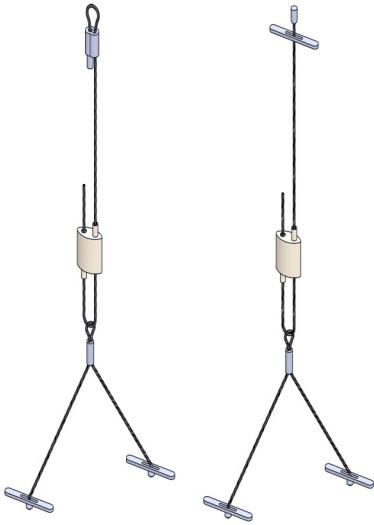
The Lighting Suspension Specialists www.PendantSystems.com P-215-638-8552 F-215-638-8554

High Bay “Y”- Cable Loop and Paddle Suspension Kits

This High Bay Kit allows use of our standard galvanized steel stock cable assemblies with #1 stop to loop over structure using the #112 loop adapter or insert through 1/4” Hole in metal decking using PD-1/16 Paddle end with cable stop. The cut end of cable captures the loop in Y (6” or 18”) paddle assembly using the KL-100 Kwik-Loc device. The height adjustability would be directly overtop the fixture end for easy adjustability. 75Lbs Per Cable Max Weight

HB-LG-72-18Y PAD-L&P	2-AC1/16-72, 2-#112, 2-PD1/16, 2-LG-16, 2-AC1/16-36-18Y PAD
HB-LG-120-18Y PAD-L&P	2-AC1/16-120, 2-#112, 2-PD1/16, 2-LG-16, 2-AC1/16-36-18Y PAD
HB-LG-200-18Y PAD-L&P	2-AC1/16-200, 2-#112, 2-PD1/16, 2-LG-16, 2-AC1/16-36-18Y PAD
HB-LG-250-18Y PAD-L&P	2-AC1/16-250, 2-#112, 2-PD1/16, 2-LG-16, 2-AC1/16-36-18Y PAD

*Kits are available with 6” Y legs as well as the 18Y legs as shown above on Part Numbers



High Bay “Y”- Cable Loop End and Paddle Suspension

High Bay Suspension Kit, includes 2 each of galvanized 1/16” cables with Loop End and “Y” intersection with (6” or 18”) legs, with captive paddles for inserting into .250” holes in fixture. Kits includes 2 each of KL-100 Kwik-Locs for attaching the single end of the cable to top of Y Assembly directly overtop of fixture. 75Lbs Per Cable Max Weight

HB-60-18Y-LE-PAD	2-AC1/16-60G-L, 2-KL100, 2-AC1/16-36-18Y PAD
HB-120-18Y-LE-PAD	2-AC1/16-120G-L, 2-KL100, 2-AC1/16-36-18Y PAD
HB-180-18Y-LE-PAD	2-AC1/16-180G-L, 2-KL100, 2-AC1/16-36-18Y PAD
HB-240-18Y-LE-PAD	2-AC1/16-240G-L, 2-KL100, 2-AC1/16-36-18Y PAD
HB-300-18Y-LE-PAD	2-AC1/16-300G-L, 2-KL100, 2-AC1/16-36-18Y PAD

*Kits are available with 6” Y legs as well as the 18Y legs as shown above on Part Numbers

Line Drawings are available on website under Drawings Link



High Bay / Cable Tray Y-Hook - Cable Suspension Kits

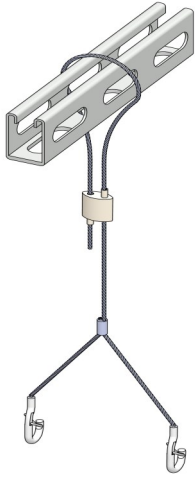
High Bay / Cable Tray Suspension Kit, includes 2 each of: galvanized 3/32” cables with “Y” intersection with 18” legs with snap hook style ends and KL-100 Kwik-Locs for attaching the single end of the cable around structure. 150 Lbs. Per Cable Max Weight

HK-60-18Y	Packed with 2 each 60” Y Cables and Kwik-Locs
HK-120-18Y	Packed with 2 each 120” Y Cables and Kwik-Locs
HK-180-18Y	Packed with 2 each 180” Y Cables and Kwik-Locs
HK-240-18Y	Packed with 2 each 240” Y Cables and Kwik-Locs
Also Available in Single Pack– Add –S Suffix to Part # Above for Single Pack	



Pendant Systems

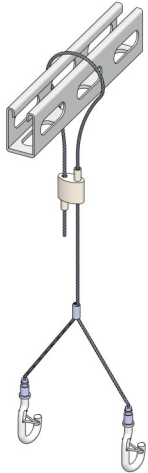
The Lighting Suspension Specialists www.PendantSystems.com P-215-638-8552 F-215-638-8554



High Bay / Cable Tray Y-Hook - Cable Suspension Kits

High Bay / Cable Tray Suspension Kit, includes 2 each of: galvanized 1/16" cables with "Y" intersection with 18" legs with snap hook style ends and LG-16 Grippers for attaching the single end of the cable around structure. 80 Lbs. Per Cable Max Weight

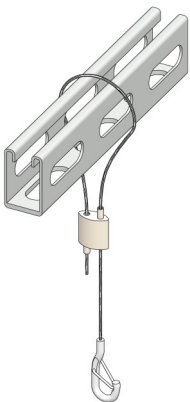
HK-LG-60-18Y 1/16	Packed with 2 each 60" Y Cables and LG-16
HK-LG-120-18Y 1/16	Packed with 2 each 120" Y Cables and LG-16
HK-LG-180-18Y 1/16	Packed with 2 each 180" Y Cables and LG-16
HK-LG-240-18Y 1/16	Packed with 2 each 240" Y Cables and LG-16
Also Available in Single Pack- Add -S Suffix to Part # Above for Single Pack	



High Bay / Cable Tray Y-Hook - Cable Suspension Kits

High Bay / Cable Tray Suspension Kit, includes 2 each of: galvanized 3/32" cables with "Y" intersection with 18" legs with snap hook style ends and LG-32 Grippers for attaching the single end of the cable around structure. 150 Lbs. Per Cable Max Weight

HK-LG-60-18Y 3/32	Packed with 2 each 60" Y Cables and LG-32
HK-LG-120-18Y 3/32	Packed with 2 each 120" Y Cables and LG-32
HK-LG-180-18Y 3/32	Packed with 2 each 180" Y Cables and LG-32
HK-LG-240-18Y 3/32	Packed with 2 each 240" Y Cables and LG-32
Also Available in Single Pack- Add -S Suffix to Part # Above for Single Pack	



High Bay / Cable Tray Suspension Kit, includes 2 each of: galvanized 1/16" or 3/32" cables with snap hook style ends and LG-32 Grippers for attaching the single end of the cable around structure. 80 lbs. (LG-1/16) & 150 lbs. (LG-3/32). Per Cable Max Weight

HK-LG-60-1/16	Packed with 2 each 1/16th- 60" Single Cables and LG-16
HK-LG-120-1/16	Packed with 2 each 1/16th -120" Single Cables and LG-16
HK-LG-180-1/16	Packed with 2 each 1/16th- 180" Single Cables and LG-16
HK-LG-240-1/16	Packed with 2 each 1/16th -240" Single Cables and LG-16
HK-LG-60-3/32	Packed with 2 each 3/32nd- 60" Single Cables and LG-32
HK-LG-120-3/32	Packed with 2 each 3/32nd -120" Single Cables and LG-32
HK-LG-180-3/32	Packed with 2 each 3/32nd- 180" Single Cables and LG-32
HK-LG-240-3/32	Packed with 2 each 3/32nd -240" Single Cables and LG-32
Also Available in Single Pack- Add -S Suffix to Part # Above for Single Pack	

Pendant Systems

The Lighting Suspension Specialists www.PendantSystems.com P-215-638-8552 F-215-638-8554



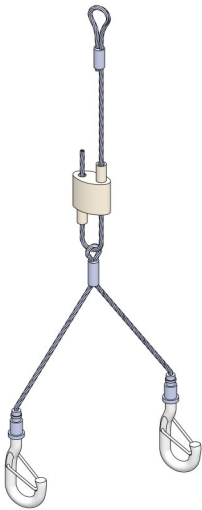
High Bay / Cable Tray Loop and Y-Hook Suspension Kits

<p>High Bay / Cable Tray Kit allows use of our standard galvanized steel 3/32" stock cable assemblies with 1" loop end over structure. Then the cut end of cable captures the loop in Y-Hook cable assembly using the KL-100 Kwik- Loc device. The height adjustability would be directly overtop the fixture / cable tray end for easy adjustability. 150 Lbs. Per Cable Max Weight</p>	
HK-60-18Y-L	2-AC3/32-72G-L, 2-KL100, 2-AC3/32-36G-18Y-HK
HK-120-18Y-L	2-AC3/32-120G-L, 2-KL100, 2-AC3/32-36G-18Y-HK
HK-180-18Y-L	2-AC3/32-180G-L, 2-KL100, 2-AC3/32-36G-18Y-HK
HK-240-18Y-L	2-AC3/32-240G-L, 2-KL100, 2-AC3/32-36G-18Y-HK
<p>Also Available in Single Pack– Add –S Suffix to Part # Above for Single Pack</p>	



High Bay / Cable Tray Loop and Y-Hook Suspension Kits

<p>High Bay / Cable Tray Kit allows use of our standard galvanized steel 1/16" stock cable assemblies with 1" loop end over structure. Then the cut end of cable captures the loop in Y-Hook cable assembly using the LG-16 Gripper. The height adjustability would be directly overtop the fixture / cable tray end for easy adjustability. 80 Lbs. Per Cable Max Weight</p>	
HK-LG-60-18Y-L 1/16	2-AC1/16-72G-L, 2-LG-16, 2-AC1/16-36G-18Y-HK
HK-LG-120-18Y-L 1/16	2-AC1/16-120G-L, 2-LG-16, 2-AC1/16-36G-18Y-HK
HK-LG-180-18Y-L 1/16	2-AC1/16-180G-L, 2-LG-16, 2-AC1/16-36G-18Y-HK
HK-LG-240-18Y-L 1/16	2-AC1/16-240G-L, 2-LG-16, 2-AC1/16-36G-18Y-HK
<p>Also Available in Single Pack– Add –S Suffix to Part # Above for Single Pack</p>	



High Bay / Cable Tray Loop and Y-Hook Suspension Kits

<p>High Bay / Cable Tray Kit allows use of our standard galvanized steel 3/32" stock cable assemblies with 1" loop end over structure. Then the cut end of cable captures the loop in Y-Hook cable assembly using the LG-32 Gripper. The height adjustability would be directly overtop the fixture / cable tray end for easy adjustability. 150 Lbs. Per Cable Max Weight</p>	
HK-LG-60-18Y-L 3/32	2-AC3/32-72G-L, 2-LG-32, 2-AC3/32-36G-18Y-HK
HK-LG-120-18Y-L 3/32	2-AC3/32-120G-L, 2-LG-32, 2-AC3/32-36G-18Y-HK
HK-LG-180-18Y-L 3/32	2-AC3/32-180G-L, 2-LG-32, 2-AC3/32-36G-18Y-HK
HK-LG-240-18Y-L 3/32	2-AC3/32-240G-L, 2-LG-32, 2-AC3/32-36G-18Y-HK
<p>Also Available in Single Pack– Add –S Suffix to Part # Above for Single Pack</p>	

Pendant Systems

The Lighting Suspension Specialists www.PendantSystems.com P-215-638-8552 F-215-638-8554



Safety Cable Kits

Simple Safety Cable Kit for using the stop end of cable with the #112 Duplex ferrule around a mounting support then down to fixture (Through pendant) to inside a fixture for attachment there with the #113 Cable Locking Tube.

1 Cable, 112, 113 Per Kit
50 Lbs. Per Cable Max Weight

Safety Cable Kit 50"	1-AC1/16-50G, 1-#112, 1-#113
Safety Cable Kit 72"	1-AC1/16-72G, 1-#112, 1-#113
Safety Cable Kit 100"	1-AC1/16-100G, 1-#112, 1-#113
Safety Cable Kit 120"	1-AC1/16-120G, 1-#112, 1-#113
Safety Cable Kit 150"	1-AC1/16-150G, 1-#112, 1-#113

Line Drawings are available on website under Drawings Link

High Bay Loop End Kit W/ 1/16" Cable

High Bay suspension kit includes 2 each of: galvanized 1/16" cables with loop end cable for looping around structure and KL-100 Kwik-Locs for attaching the single end of the cable to the fixture. 75 Lbs. Per Cable Max Weight

HB-60-Loop 1/16	Packed with 2 each 60" Loop End Cables and Kwik-Locs
HB-120-Loop 1/16	Packed with 2 each 120" Loop End Cables and Kwik-Locs
HB-180-Loop 1/16	Packed with 2 each 180" Loop End Cables and Kwik-Locs
HB-240-Loop 1/16	Packed with 2 each 240" Loop End Cables and Kwik-Locs
HB-300-Loop 1/16	Packed with 2 each 300" Loop End Cables and Kwik-Locs
Also Available in Single Pack- Add -S Suffix to Part # Above for Single Pack	

1/16"
Cable



High Bay Loop End Kit W/ 1/16" Cable

High Bay suspension kit includes 2 each of: galvanized 1/16" cables with loop end cable for looping around structure and LG-16 gripper for attaching the single end of the cable to the fixture. 80 Lbs. Per Cable Max Weight

HB-LG-60-Loop 1/16	Packed with 2 each 60" Loop End Cables and LG-16
HB-LG-120-Loop 1/16	Packed with 2 each 120" Loop End Cables and LG-16
HB-LG-180-Loop 1/16	Packed with 2 each 180" Loop End Cables and LG-16
HB-LG-240-Loop 1/16	Packed with 2 each 240" Loop End Cables and LG-16
HB-LG-300-Loop 1/16	Packed with 2 each 300" Loop End Cables and LG-16
Also Available in Single Pack- Add -S Suffix to Part # Above for Single Pack	



Pendant Systems

The Lighting Suspension Specialists www.PendantSystems.com P-215-638-8552 F-215-638-8554

High Bay Loop End Kit W/ 3/32" Cable

3/32" Cable



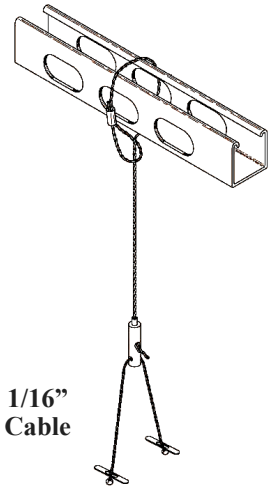
High Bay suspension kit includes 2 each of: galvanized 3/32" cables with loop end cable for looping around structure and KL-100 Kwik-Locs for attaching the single end of the cable to the fixture. 150 Lbs. Per Cable Max Weight	
HB-60-Loop 3/32	Packed with 2 each 60" Loop End Cables and Kwik-Locs
HB-120-Loop 3/32	Packed with 2 each 120" Loop End Cables and Kwik-Locs
HB-180-Loop 3/32	Packed with 2 each 180" Loop End Cables and Kwik-Locs
HB-240-Loop 3/32	Packed with 2 each 240" Loop End Cables and Kwik-Locs
Also Available in Single Pack- Add -S Suffix to Part # Above for Single Pack	

High Bay Loop End Kit W/ 3/32" Cable



High Bay suspension kit includes 2 each of: galvanized 3/32" cables with loop end cable for looping around structure and LG-32 grippers for attaching the single end of the cable to the fixture. 150 Lbs. Per Cable Max Weight	
HB-LG-60-Loop 3/32	Packed with 2 each 60" Loop End Cables and LG-32
HB-LG-120-Loop 3/32	Packed with 2 each 120" Loop End Cables and LG-32
HB-LG-180-Loop 3/32	Packed with 2 each 180" Loop End Cables and LG-32
HB-LG-240-Loop 3/32	Packed with 2 each 240" Loop End Cables and LG-32
Also Available in Single Pack- Add -S Suffix to Part # Above for Single Pack	

High Bay Cross Loop End Cable Kit W/ Cross Cable Paddle End Gripper Assembly



1/16" Cable

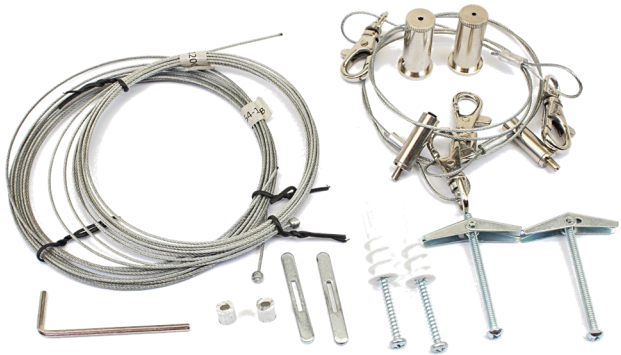
High Bay suspension kit includes 2 each of: galvanized 1/16" cables with loop end cable for looping around structure and Crossable Gripper Assembly with 8", 12", or 36" Crossable Lengths. 100 Lbs. Per Set Max Fixture Weight or 50lbs per cable Max Weight	
HB Cross-60-8 CC-PD	60" Loop End Cables and 8" Cross Cable Assembly
HB Cross-120-8 CC-PD	120" Loop End Cables and 8" Cross Cable Assembly
HB Cross-180-8 CC-PD	180" Loop End Cables and 8" Cross Cable Assembly
HB Cross-240-8 CC-PD	240" Loop End Cables and 8" Cross Cable Assembly
HB Cross-300-8 CC-PD	300" Loop End Cables and 8" Cross Cable Assembly
Cross Cable Gripper Assembly available with 12" or 36" Cross Cable Lengths.	

Pendant Systems

The Lighting Suspension Specialists www.PendantSystems.com P-215-638-8552 F-215-638-8554

Flat Panel Suspension Kits

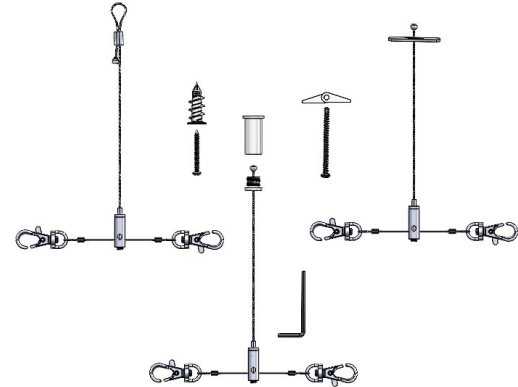
Universal Flat Panel Suspension Kits Drywall / Surface, Looping, Steel Deck 3/64" Cable



**Flat Panel Universal Mounting Kit
W/ Swivel Eye Snap Hook Ends
Drywall/ Loop / Steel Deck Mounts
Standoff Base Threaded 1/4"-20
10 Lbs. Per Cable Max Weight**

FP-36 SW-EYE UNIV	36" Cable
FP-60 SW-EYE UNIV	60" Cable
FP-120 SW-EYE UNIV	120" Cable
FP-180 SW-EYE UNIV	180" Cable
FP-240 SW-EYE UNIV	240" Cable

2-Packs for Single Fixture Mounting



Flat Panel Suspension Kits Drywall / Surface 3/64" Cable



**Flat Panel Dry Wall Mounting Kit
W/ Swivel Eye Snap Hook Ends
Drywall/ Surface Mounts
Standoff Base Threaded 1/4"-20
10 Lbs. Per Cable Max Weight**

FP-36 SW-EYE DW	36" Cable
FP-60 SW-EYE DW	60" Cable
FP-120 SW-EYE DW	120" Cable
FP-180 SW-EYE DW	180" Cable
FP-240 SW-EYE DW	240" Cable

2-Packs for Single Fixture Mounting



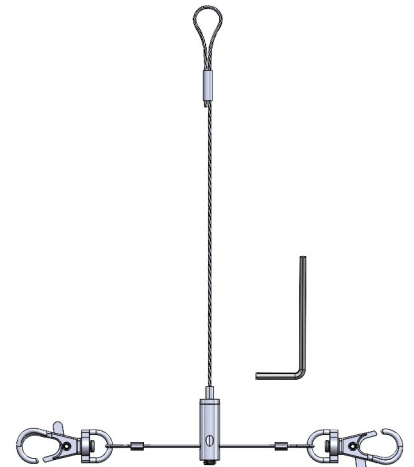
Flat Panel Suspension Kits Loop End Cables 3/64" Cable



**Flat Panel Loop End Mounting Kit
W/ Swivel Eye Snap Hook Ends
Standoff Base Threaded 1/4"-20
10 Lbs. Per Cable Max Weight**

FP-36 SW-EYE LE	36" Cable
FP-60 SW-EYE LE	60" Cable
FP-120 SW-EYE LE	120" Cable
FP-180 SW-EYE LE	180" Cable
FP-240 SW-EYE LE	240" Cable

2-Packs for Single Fixture Mounting



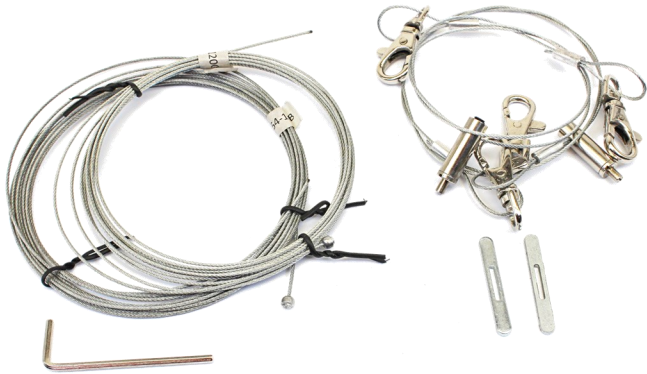
Kits Can Also be Made with 8" HB Crosscable & 8" HB Paddle End Crosscable Gripper Assemblies
HB or HB PD instead of SW-EYE

Pendant Systems

The Lighting Suspension Specialists www.PendantSystems.com P-215-638-8552 F-215-638-8554

Flat Panel Suspension Kits

Universal Flat Panel Suspension Kits Steel Deck 3/64" Cable



**Flat Panel Steel Deck Mounting Kit
W/ Swivel Eye Snap Hook Ends
Standoff Base Threaded 1/4"-20
10 Lbs. Per Cable Max Weight**

FP-36 SW-EYE SD	36" Cable
FP-60 SW-EYE SD	60" Cable
FP-120 SW-EYE SD	120" Cable
FP-180 SW-EYE SD	180" Cable
FP-240 SW-EYE SD	240" Cable

2-Packs for Single Fixture Mounting



Flat Panel Suspension Kits T-Bar 3/64" Cable



**Flat Panel T-Bar Mounting Kit
W/ Swivel Eye Snap Hook Ends
Standoff Base Threaded 1/4"-20
10 Lbs. Per Cable Max Weight**

FP-36 SW-EYE TB	36" Cable
FP-60 SW-EYE TB	60" Cable
FP-120 SW-EYE TB	120" Cable
FP-180 SW-EYE TB	180" Cable
FP-240 SW-EYE TB	240" Cable

2-Packs for Single Fixture Mounting



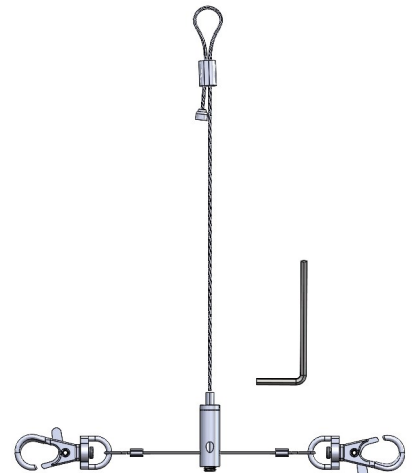
Flat Panel Suspension Kits Looping W/ Duplex Ferrule HB End Cable 3/64" Cable



**Flat Panel Looping DF Mounting
Kit W/ Swivel Eye Snap Hook Ends
Standoff Base Threaded 1/4"-20
10 Lbs. Per Cable Max Weight**

FP-36 SW-EYE DF	36" Cable
FP-60 SW-EYE DF	60" Cable
FP-120 SW-EYE DF	120" Cable
FP-180 SW-EYE DF	180" Cable
FP-240 SW-EYE DF	240" Cable

2-Packs for Single Fixture Mounting



Kits Can Also be Made with 8" HB Crosscable & 8" HB Paddle End Crosscable Gripper Assemblies
HB or HB PD instead of SW-EYE

Pendant Systems

The Lighting Suspension Specialists www.PendantSystems.com P-215-638-8552 F-215-638-8554

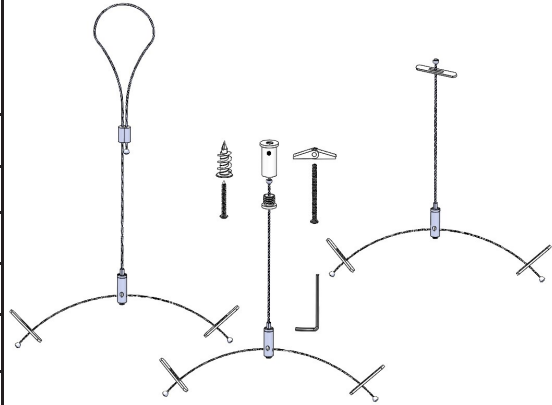
High Bay Cross Paddle Suspension Kits

Universal High Bay Suspension Kits Drywall / Surface, Looping, Steel Deck 1/16" Cable

**High Bay Universal Mounting Kit W/
Crosscable Paddle Gripper
Drywall/ Loop / Steel Deck Mounts
Standoff Base Threaded 1/4"-20
50 Lbs. Per Cable Max Weight**

HB-Cross-36 36PD UNIV	36" Cable
HB-Cross-60 36PD UNIV	60" Cable
HB-Cross-120 36PD UNIV	120" Cable
HB-Cross-180 36PD UNIV	180" Cable
HB-Cross-240 36PD UNIV	240" Cable

**2-Packs for Single Fixture Mounting
36" CC can also be 8", 12", 24"**

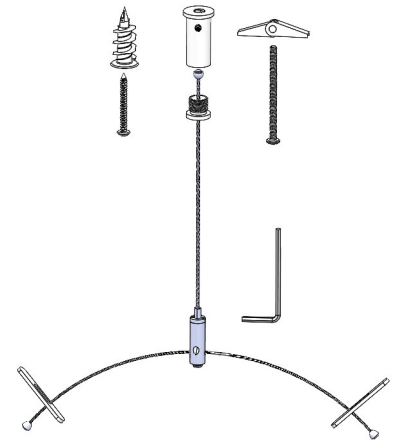


High Bay Suspension Kits Drywall / Surface 1/16" Cable

**High Bay Dry Wall Mounting Kit W/
Crosscable Paddle Gripper
Drywall/ Surface Mounts
Standoff Base Threaded 1/4"-20
50 Lbs. Per Cable Max Weight**

HB-Cross-36 36PD DW	36" Cable
HB-Cross-60 36PD DW	60" Cable
HB-Cross-120 36PD DW	120" Cable
HB-Cross-180 36PD DW	180" Cable
HB-Cross-240 36PD DW	240" Cable

**2-Packs for Single Fixture Mounting
36" CC can also be 8", 12", 24"**

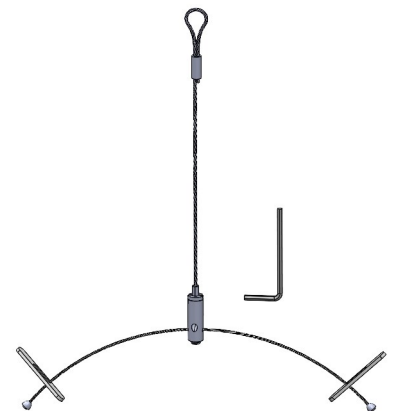


High Bay Suspension Kits Loop End Cables 1/16" Cable

**High Bay Loop End Mounting Kit
W/ Crosscable Paddle Gripper
Standoff Base Threaded 1/4"-20
50 Lbs. Per Cable Max Weight**

HB-Cross-36 36PD LE	36" Cable
HB-Cross-60 36PD LE	60" Cable
HB-Cross-120 36PD LE	120" Cable
HB-Cross-180 36PD LE	180" Cable
HB-Cross-240 36PD LE	240" Cable

**2-Packs for Single Fixture Mounting
36" CC can also be 8", 12", 24"**



**Kits Can Also be Made with 8", 12", 24" & 36"
XX= Crosscable Length**

Pendant Systems

The Lighting Suspension Specialists www.PendantSystems.com P-215-638-8552 F-215-638-8554

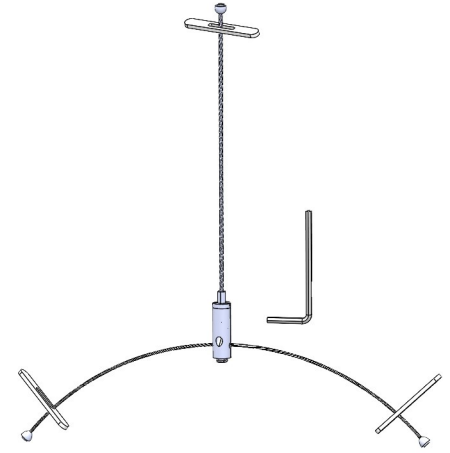
High Bay Cross Paddle Suspension Kits

Universal High Bay Suspension Kits Steel Deck 1/16" Cable

High Bay Steel Deck Mounting Kit
W/ Crosscable Paddle Gripper
Standoff Base Threaded 1/4"-20
50 Lbs. Per Cable Max Weight

HB-Cross-36 36PD SD	36" Cable
HB-Cross-60 36PD SD	60" Cable
HB-Cross-120 36PD SD	120" Cable
HB-Cross-180 36PD SD	180" Cable
HB-Cross-240 36PD SD	240" Cable

2-Packs for Single Fixture Mounting
36" CC can also be 8", 12", 24"

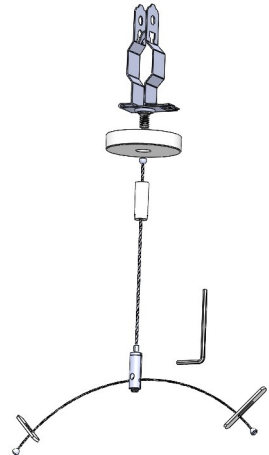


High Bay Suspension Kits T-Bar 1/16" Cable

High Bay T-Bar Mounting Kit
W/ Crosscable Paddle Gripper
Standoff Base Threaded 1/4"-20
50 Lbs. Per Cable Max Weight

HB-Cross-36 36PD TB	36" Cable
HB-Cross-60 36PD TB	60" Cable
HB-Cross-120 36PD TB	120" Cable
HB-Cross-180 36PD TB	180" Cable
HB-Cross-240 36PD TB	240" Cable

2-Packs for Single Fixture Mounting
36" CC can also be 8", 12", 24"

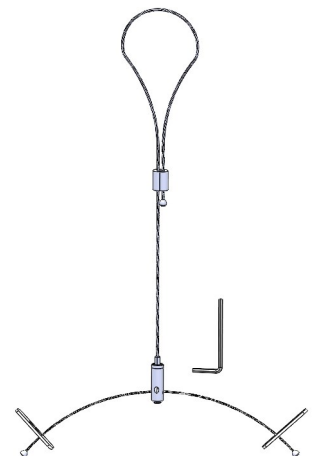


High Bay Suspension Kits Looping W/ Duplex Ferrule HB End Cable 1/16" Cable

High Bay Looping DF Mounting W/
W/ Crosscable Paddle Gripper
Standoff Base Threaded 1/4"-20
50 Lbs. Per Cable Max Weight

HB-Cross-36PD DF	36" Cable
HB-Cross-60PD DF	60" Cable
HB-Cross-120PD DF	120" Cable
HB-Cross-180PD DF	180" Cable
HB-Cross-240PD DF	240" Cable

2-Packs for Single Fixture Mounting
36" CC can also be 8", 12", 24"



Kits Can Also be Made with 8", 12", 24" & 36"
XX= Crosscable Length