

Pendant Systems

The Lighting Suspension Specialists www.PendantSystems.com P-215-638-8552 F-215-638-8554

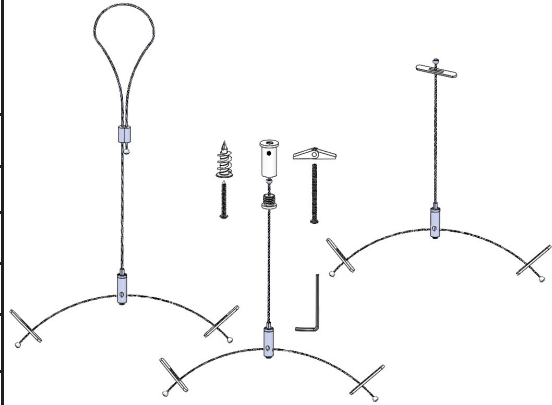
High Bay Cross Paddle Suspension Kits

Universal High Bay Suspension Kits Drywall / Surface, Looping, Steel Deck 1/16" Cable

**High Bay Universal Mounting Kit W/
Crosscable Paddle Gripper
Drywall/ Loop / Steel Deck Mounts
Standoff Base Threaded 1/4"-20
50 Lbs. Per Cable Max Weight**

HB-Cross-36 36PD UNIV	36" Cable
HB-Cross-60 36PD UNIV	60" Cable
HB-Cross-120 36PD UNIV	120" Cable
HB-Cross-180 36PD UNIV	180" Cable
HB-Cross-240 36PD UNIV	240" Cable

**2-Packs for Single Fixture Mounting
36" CC can also be 8", 12", 24"**

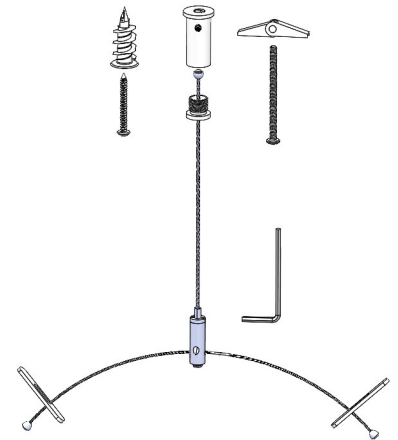


High Bay Suspension Kits Drywall / Surface 1/16" Cable

**High Bay Dry Wall Mounting Kit W/
Crosscable Paddle Gripper
Drywall/ Surface Mounts
Standoff Base Threaded 1/4"-20
50 Lbs. Per Cable Max Weight**

HB-Cross-36 36PD DW	36" Cable
HB-Cross-60 36PD DW	60" Cable
HB-Cross-120 36PD DW	120" Cable
HB-Cross-180 36PD DW	180" Cable
HB-Cross-240 36PD DW	240" Cable

**2-Packs for Single Fixture Mounting
36" CC can also be 8", 12", 24"**

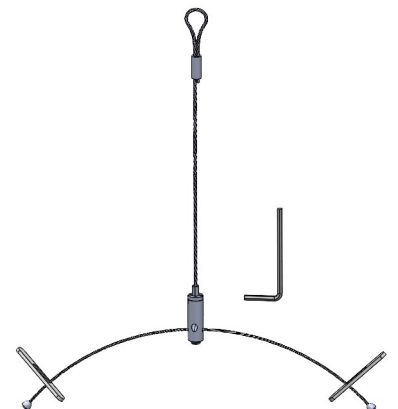


High Bay Suspension Kits Loop End Cables 1/16" Cable

**High Bay Loop End Mounting Kit
W/ Crosscable Paddle Gripper
Standoff Base Threaded 1/4"-20
50 Lbs. Per Cable Max Weight**

HB-Cross-36 36PD LE	36" Cable
HB-Cross-60 36PD LE	60" Cable
HB-Cross-120 36PD LE	120" Cable
HB-Cross-180 36PD LE	180" Cable
HB-Cross-240 36PD LE	240" Cable

**2-Packs for Single Fixture Mounting
36" CC can also be 8", 12", 24"**



**Kits Can Also be Made with 8", 12", 24" & 36"
XX= Crosscable Length**

Pendant Systems

The Lighting Suspension Specialists www.PendantSystems.com P-215-638-8552 F-215-638-8554

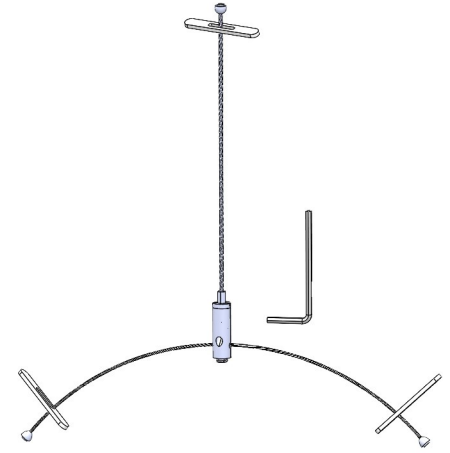
High Bay Cross Paddle Suspension Kits

Universal High Bay Suspension Kits Steel Deck 1/16" Cable

High Bay Steel Deck Mounting Kit
W/ Crosscable Paddle Gripper
Standoff Base Threaded 1/4"-20
50 Lbs. Per Cable Max Weight

HB-Cross-36 36PD SD	36" Cable
HB-Cross-60 36PD SD	60" Cable
HB-Cross-120 36PD SD	120" Cable
HB-Cross-180 36PD SD	180" Cable
HB-Cross-240 36PD SD	240" Cable

2-Packs for Single Fixture Mounting
36" CC can also be 8", 12", 24"

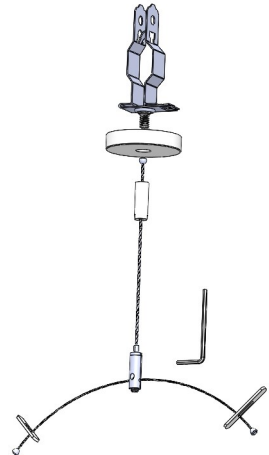


High Bay Suspension Kits T-Bar 1/16" Cable

High Bay T-Bar Mounting Kit
W/ Crosscable Paddle Gripper
Standoff Base Threaded 1/4"-20
50 Lbs. Per Cable Max Weight

HB-Cross-36 36PD TB	36" Cable
HB-Cross-60 36PD TB	60" Cable
HB-Cross-120 36PD TB	120" Cable
HB-Cross-180 36PD TB	180" Cable
HB-Cross-240 36PD TB	240" Cable

2-Packs for Single Fixture Mounting
36" CC can also be 8", 12", 24"

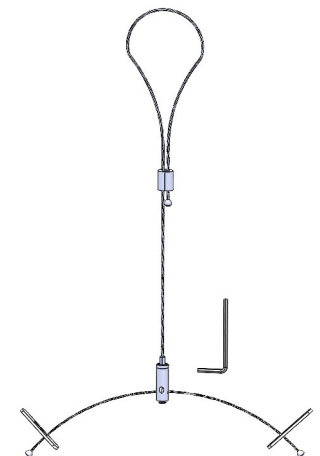


High Bay Suspension Kits Looping W/ Duplex Ferrule HB End Cable 1/16" Cable

High Bay Looping DF Mounting W/
W/ Crosscable Paddle Gripper
Standoff Base Threaded 1/4"-20
50 Lbs. Per Cable Max Weight

HB-Cross-36PD DF	36" Cable
HB-Cross-60PD DF	60" Cable
HB-Cross-120PD DF	120" Cable
HB-Cross-180PD DF	180" Cable
HB-Cross-240PD DF	240" Cable

2-Packs for Single Fixture Mounting
36" CC can also be 8", 12", 24"



Kits Can Also be Made with 8", 12", 24" & 36"
XX= Crosscable Length