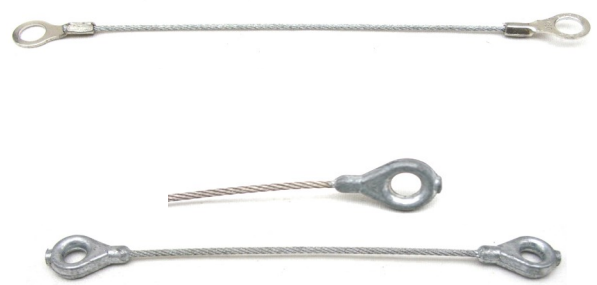
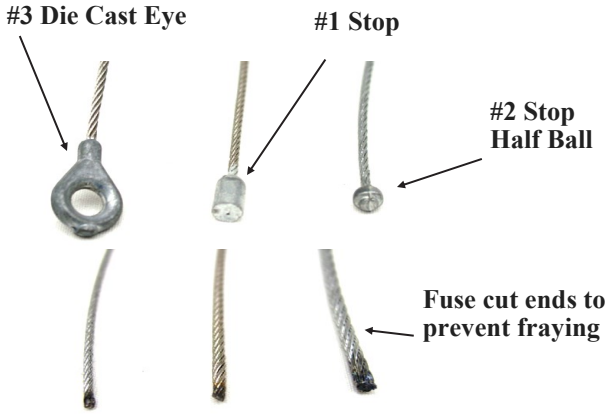


Pendant Systems

The Lighting Suspension Specialists www.PendantSystems.com P-215-638-8552 F-215-638-8554

Specialty Cables

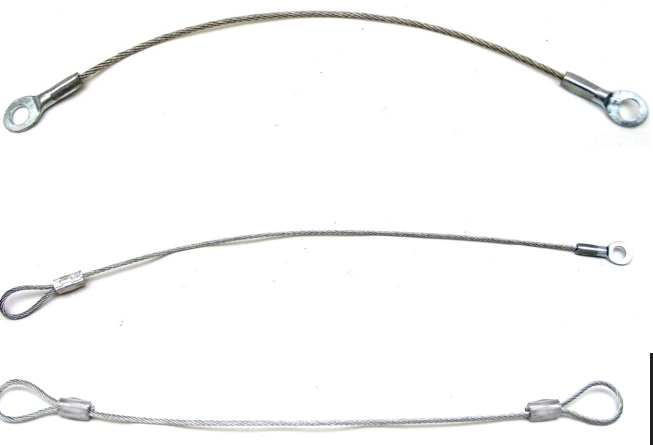


Die Cast #3 Eye on One End



KeySnap

May be utilized with the staked eye cable below to make quick connection.
 Steel Zinc 1.04"L x .945"ID x .045"Thick Material x .081" Wide
 Material Small End ID .156" Large End ID .365"



P.S. Part#	Stainless Steel cables with 1/2 ball end for use in cable couples for multiple cables. Maybe used in standard cable couplers also.
AC3/64-36HB	Stainless Steel cable 3/64"X36" with #2 Stop
AC3/64-120HB	Stainless Steel cable 3/64"X120" with #2 Stop

PS Part#	Safety Cables with either die cast ends or stake on ends, consult Pendant Systems for your requirements.
4" Safety Cable	4" Stainless Cable 3/64" W/ 2 -.200"ID Staked Eyes
AC1/16-6-TE	Stainless Steel cable 1/16"X6" with #3 Eyes

PS Part#	Stainless Steel cables with die cast eye on one side (#3 EYE)
AC3/64-8.5-EYE	Stainless Steel cable 3/64"X8.5" with #3 EYE
AC3/64-24-EYE	Stainless Steel cable 3/64"X24" with #3 EYE
AC3/64-72-EYE	Stainless Steel cable 3/64"X72" with #3 EYE
AC3/64-120-EYE	Stainless Steel cable 3/64"X120" with #3 EYE
AC1/16-24-EYE	Stainless Steel cable 1/16"X24" with #3 EYE

PS Part#	Description
AC1/16-4 Eye x 2	4" Stainless Cable 1/16" W/ 2 -.200"ID Staked Eyes
AC1/16-6 Eye x 2	6" Stainless Cable 1/16" W/ 2 -.200"ID Staked Eyes
AC1/16-9 Eye x 2	9" Stainless Cable 1/16" W/ 2 -.200"ID Staked Eyes
AC1/16-12 Eye x 2	12" Stainless Cable 1/16" W/ 2 -.200"ID Staked Eyes

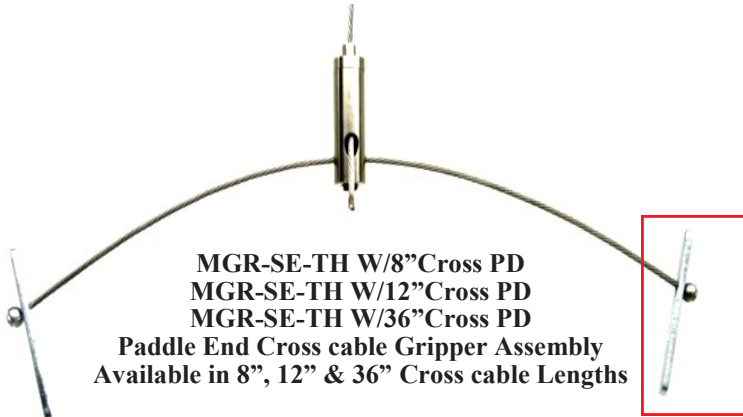
PS Part#	Description
AC1/16-9 Eye -L	9" Stainless Cable 1/16" W/ Eye-Loop
AC1/16-20 Eye -L	20" Stainless Cable 1/16" W/ Eye-Loop

PS Part#	Description
A/C 1/16-9-DL-G	9"L x 1/16" Galvanized Cable w/ 1" Loops at Both Ends

Pendant Systems

The Lighting Suspension Specialists www.PendantSystems.com P-215-638-8552 F-215-638-8554

Specialty Cables



Exploded view of Paddle used with the stop end of cable.
(When pushed through 1/4" hole it will not allow cable to exit hole.)

P.S. Part#

1/16" Galvanized Cable W/Half Ball Ends and 1-Paddle Captive for use with CC-Puck

AC1/16-8 HB X PD	8" 1/16" Cable W/ HB & 1 Paddle
AC1/16-12 HB X PD	12" 1/16" Cable W/ HB & 1 Paddle
AC1/16-16 HB X PD	16" 1/16" Cable W/ HB & 1 Paddle
AC1/16-24 HB X PD	24" 1/16" Cable W/ HB & 1 Paddle
AC1/16-36 HB X PD	36" 1/16" Cable W/ HB & 1 Paddle



PS Part#

Description

AC1/16-9 Eye -PD	9" Galvanized Cable 1/16" W/ Eye-Paddle End
AC1/16-12 Eye-PD	12" Galvanized Cable 1/16" W/ Eye-Paddle End



PS Part#

Description

13595	6.25" Wire Safety Loop .027" Diameter Cable W/3/16" Eyelet (.200")
-------	--



P.S. Part#

3/64" Galvanized Cable W/Half Ball Ends and 2-Paddles Captive

AC 3/64-12 PD X 2	12" 3/64" Cable w/ Half Balls and 2-Paddles
-------------------	---



PS Part#

Description

AC3/64-18L-PD	3/64" Galvanized Cable W/ Loop on One end and half ball stop on other end with Captive Paddle 18" Long
---------------	--



Pendant Systems

The Lighting Suspension Specialists www.PendantSystems.com P-215-638-8552 F-215-638-8554

Crosscables



<u>Crosscables W/Threaded Captive Studs</u>	
<u>PS Part#</u>	<u>Description</u>
8" Cross 1/4-20TH	8" Long Crosscable W/Captive 1/4"-20 Studs
12" Cross 1/4-20TH	12" Long Crosscable W/Captive 1/4"-20 Studs
18" Cross 1/4-20TH	18" Long Crosscable W/Captive 1/4"-20 Studs
24" Cross 1/4-20TH	24" Long Crosscable W/Captive 1/4"-20 Studs



<u>Crosscables W/ Half Ball Ends</u>	
<u>PS Part#</u>	<u>Description</u>
AC1/16-7.25 HB x 2	7.25" Long Crosscable W/Half Ball Ends
AC1/16-8.5 HB x 2	8.5" Long Crosscable W/Half Ball Ends
AC1/16-10 HB x 2	10" Long Crosscable W/Half Ball Ends
AC1/16-12.5 HB x 2	12.5" Long Crosscable W/Half Ball Ends
AC1/16-18 HB x 2	18" Long Crosscable W/Half Ball Ends
AC1/16-24 HB x 2	24" Long Crosscable W/Half Ball Ends
AC1/16-36 HB x 2	36" Long Crosscable W/Half Ball Ends



Slot Coupler

8/32" x 1/4"-20 Threaded Coupler for joining Slot Screw with TS 1/4-.25 on slotted extrusion (nickel plated)
0.83"H x 0.5"W



TS1/4-20-.5



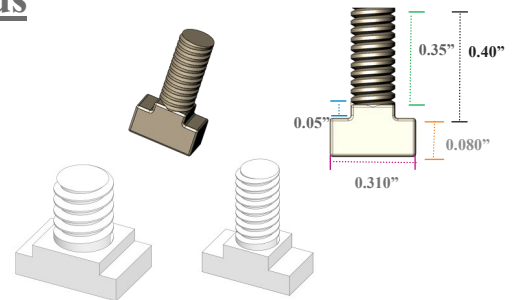
TS1/4-20-.25

TS1/4-20-.5: Threaded Screw w/Slot 1/4"-20 Male x .5" Long Thread
TS1/4-20-.25: Threaded Screw W/Slot 1/4"-20 Male x .25" Long Thread

Threaded Screws w/ Slots

Captures half ball end of cable with:

1. #104 Keps nut, or
2. #170 Acorn nut, or
3. Slot Coupler & Slot Screw to capture a slotted extrusion (i.e. LED Panel)



Slot Screw

8/32" & 1/4"-20 Threaded Screw w/T-Slot Head used to capture slotted extrusion (nickel plated)

Slot Screw 8/32

8/32" Threaded Screw W/T-Slot Head used to capture slotted extrusion Nickel Plated .200"-.320" Extrusion Slot Width

Slot Screw 1/4-20

1/4"-20 Threaded Screw W/T-Slot Head used to capture slotted extrusion Nickel Plated .350"-.400" Extrusion Slot Width



#170

Acorn Nut

1/4"-20 Acorn Nut
Used on end of cable stud



#104

1/4" Keps Nut

Used on end of cable stud



The above crosscable attachment methods can be used with the Cable Puck (page 30), Mono Point products (pages 13-23) as well as other crosscable assemblies.

