

Pendant Systems

The Lighting Suspension Specialists www.PendantSystems.com P-215-638-8552 F-215-638-8554

Loop End Cables



Loop End 1/16" Cables

<u>P.S. Part#</u>	<u>1/16" Cable Assemblies Fuse Cut (Burned) One End with 1" Loop on Other End.</u>
AC1/16-60G-L	Galvanized Steel cable 1/16"X 60"L with 1" Loop
AC1/16-120G-L	Galvanized Steel cable 1/16"X 120"L with 1" Loop
AC1/16-180G-L	Galvanized Steel cable 1/16"X 180"L with 1" Loop
AC1/16-240G-L	Galvanized Steel cable 1/16"X 240"L with 1" Loop
AC1/16-300G-L	Galvanized Steel cable 1/16"X 300"L with 1" Loop

Loop End 3/32" Cables

<u>P.S. Part#</u>	<u>3/32" Cable Assemblies Fuse Cut (Burned) One End with 1" Loop on Other End.</u>
AC3/32-60G-L	Galvanized Steel cable 3/32"X 60"L with 1" Loop
AC3/32-120G-L	Galvanized Steel cable 3/32"X 120"L with 1" Loop
AC3/32-180G-L	Galvanized Steel cable 3/32"X 180"L with 1" Loop
AC3/32-240G-L	Galvanized Steel cable 3/32"X 240"L with 1" Loop

Loop End 3/64" Cables

<u>P.S. Part#</u>	<u>3/64" Cable Assemblies Fuse Cut (Burned) One End with 1" Loop on Other End.</u>
AC3/64-60G-L	Galvanized Steel cable 3/64"X 60"L with 1" Loop
AC3/64-120G-L	Galvanized Steel cable 3/64"X 120"L with 1" Loop
AC3/64-132G-L	Galvanized Steel cable 3/64"X 132"L with 1" Loop
AC3/64-180G-L	Galvanized Steel cable 3/64"X 180"L with 1" Loop
AC3/64-240G-L	Galvanized Steel cable 3/64"X 240"L with 1" Loop



Bulk Cables

<u>PS Part#</u>	<u>Spools of Bulk Cable with 1000' per spool</u>
AC3/64-1000G	Galvanized Cable 3/64" X 1000' spool 7 x 7
AC1/16-1000G	Galvanized Cable 1/16" X 1000' spool 7 x 7
AC3/32-1000G	Galvanized Cable 3/32" X 1000' spool 7 x 7
AC3/64-1000	Stainless Steel Cable 3/64" X 1000' spool 7 x 7
AC1/16-1000	Stainless Steel Cable 1/16" X 1000' spool 7 x 7
AC3/32-1000	Stainless Steel Cable 3/32" X 1000' spool 7 x 7
AC1/8-500G	Galvanized Cable 1/8" X 500' spool 7 x 19

Cable Cutter
Cable Cutter
(Cuts up to 1/8" Cable)



Cable Swager
Cable Swager Combo
3/64", 1/16" & 3/32"



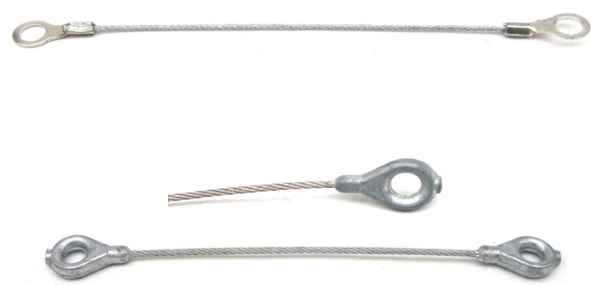
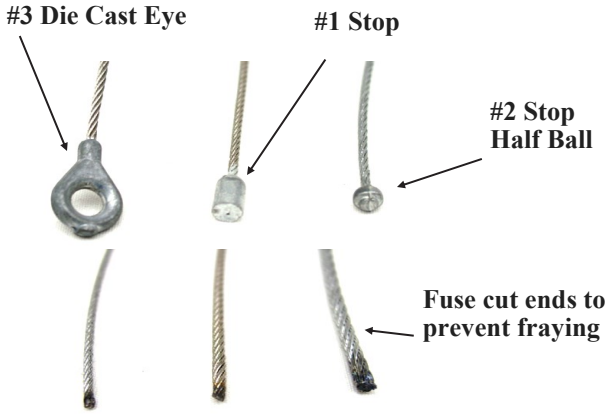
Copper Stops Available
Copper Stop 3/64 (For 3/64" Cable)
Copper Stop 1/16 (For 1/16" Cable)
Copper Stop 3/32 (For 3/32" Cable)

Aluminum Stops Available
Aluminum Stop 1/16 (For 1/16" Cable)
Aluminum Stop 3/32 (For 3/32" Cable)

Pendant Systems

The Lighting Suspension Specialists www.PendantSystems.com P-215-638-8552 F-215-638-8554

Specialty Cables



Die Cast #3 Eye on One End



KeySnap

May be utilized with the staked eye cable below to make quick connection.
 Steel Zinc 1.04"L x .945"ID x .045"Thick Material x .081" Wide
 Material Small End ID .156" Large End ID .365"

P.S. Part#	Stainless Steel cables with 1/2 ball end for use in cable couples for multiple cables. Maybe used in standard cable couplers also.
AC3/64-36HB	Stainless Steel cable 3/64"X36" with #2 Stop
AC3/64-120HB	Stainless Steel cable 3/64"X120" with #2 Stop

PS Part#	Safety Cables with either die cast ends or stake on ends, consult Pendant Systems for your requirements.
4" Safety Cable	4" Stainless Cable 3/64" W/ 2 -.200"ID Staked Eyes
AC1/16-6-TE	Stainless Steel cable 1/16"X6" with #3 Eyes

PS Part#	Stainless Steel cables with die cast eye on one side (#3 EYE)
AC3/64-8.5-EYE	Stainless Steel cable 3/64"X8.5" with #3 EYE
AC3/64-24-EYE	Stainless Steel cable 3/64"X24" with #3 EYE
AC3/64-72-EYE	Stainless Steel cable 3/64"X72" with #3 EYE
AC3/64-120-EYE	Stainless Steel cable 3/64"X120" with #3 EYE
AC1/16-24-EYE	Stainless Steel cable 1/16"X24" with #3 EYE

PS Part#	Description
AC1/16-4 Eye x 2	4" Stainless Cable 1/16" W/ 2 -.200"ID Staked Eyes
AC1/16-6 Eye x 2	6" Stainless Cable 1/16" W/ 2 -.200"ID Staked Eyes
AC1/16-9 Eye x 2	9" Stainless Cable 1/16" W/ 2 -.200"ID Staked Eyes
AC1/16-12 Eye x 2	12" Stainless Cable 1/16" W/ 2 -.200"ID Staked Eyes

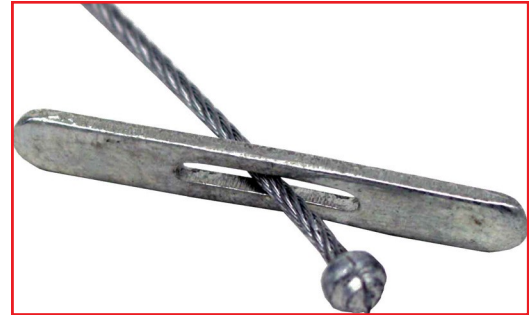
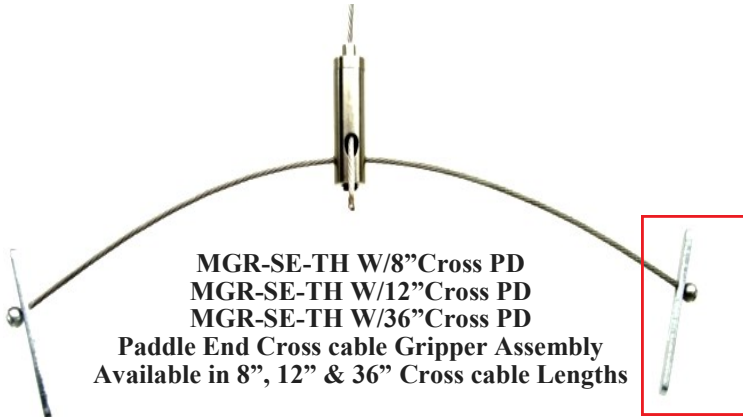
PS Part#	Description
AC1/16-9 Eye -L	9" Stainless Cable 1/16" W/ Eye-Loop
AC1/16-20 Eye -L	20" Stainless Cable 1/16" W/ Eye-Loop

PS Part#	Description
A/C 1/16-9-DL-G	9"L x 1/16" Galvanized Cable w/ 1" Loops at Both Ends

Pendant Systems

The Lighting Suspension Specialists www.PendantSystems.com P-215-638-8552 F-215-638-8554

Specialty Cables



Exploded view of Paddle used with the stop end of cable.
(When pushed through 1/4" hole it will not allow cable to exit hole.)

P.S. Part#

1/16" Galvanized Cable W/Half Ball Ends and 1-Paddle Captive for use with CC-Puck

AC1/16-8 HB X PD	8" 1/16" Cable W/ HB & 1 Paddle
AC1/16-12 HB X PD	12" 1/16" Cable W/ HB & 1 Paddle
AC1/16-16 HB X PD	16" 1/16" Cable W/ HB & 1 Paddle
AC1/16-24 HB X PD	24" 1/16" Cable W/ HB & 1 Paddle
AC1/16-36 HB X PD	36" 1/16" Cable W/ HB & 1 Paddle



PS Part#

Description

AC1/16-9 Eye -PD	9" Galvanized Cable 1/16" W/ Eye-Paddle End
AC1/16-12 Eye-PD	12" Galvanized Cable 1/16" W/ Eye-Paddle End



PS Part#

Description

13595	6.25" Wire Safety Loop .027" Diameter Cable W/3/16" Eyelet (.200")
-------	--



P.S. Part#

3/64" Galvanized Cable W/Half Ball Ends and 2-Paddles Captive

AC 3/64-12 PD X 2	12" 3/64" Cable w/ Half Balls and 2-Paddles
-------------------	---



PS Part#

Description

AC3/64-18L-PD	3/64" Galvanized Cable W/ Loop on One end and half ball stop on other end with Captive Paddle 18" Long
---------------	--



Pendant Systems

The Lighting Suspension Specialists www.PendantSystems.com P-215-638-8552 F-215-638-8554

Crosscables



<u>Crosscables W/Threaded Captive Studs</u>	
<u>PS Part#</u>	<u>Description</u>
8" Cross 1/4-20TH	8" Long Crosscable W/Captive 1/4"-20 Studs
12" Cross 1/4-20TH	12" Long Crosscable W/Captive 1/4"-20 Studs
18" Cross 1/4-20TH	18" Long Crosscable W/Captive 1/4"-20 Studs
24" Cross 1/4-20TH	24" Long Crosscable W/Captive 1/4"-20 Studs



<u>Crosscables W/ Half Ball Ends</u>	
<u>PS Part#</u>	<u>Description</u>
AC1/16-7.25 HB x 2	7.25" Long Crosscable W/Half Ball Ends
AC1/16-8.5 HB x 2	8.5" Long Crosscable W/Half Ball Ends
AC1/16-10 HB x 2	10" Long Crosscable W/Half Ball Ends
AC1/16-12.5 HB x 2	12.5" Long Crosscable W/Half Ball Ends
AC1/16-18 HB x 2	18" Long Crosscable W/Half Ball Ends
AC1/16-24 HB x 2	24" Long Crosscable W/Half Ball Ends
AC1/16-36 HB x 2	36" Long Crosscable W/Half Ball Ends



Slot Coupler

8/32" x 1/4"-20 Threaded Coupler for joining Slot Screw with TS 1/4-.25 on slotted extrusion (nickel plated)
0.83"H x 0.5"W

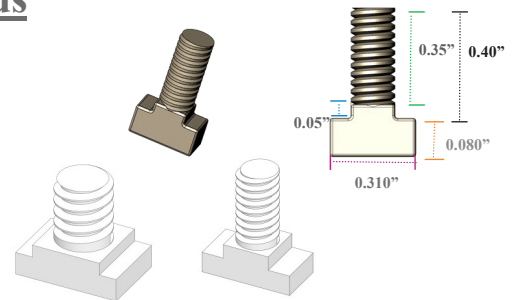


TS1/4-20-.5



TS1/4-20-.25

TS1/4-20-.5: Threaded Screw w/Slot 1/4"-20 Male x .5" Long Thread
TS1/4-20-.25: Threaded Screw W/Slot 1/4"-20 Male x .25" Long Thread



Slot Screw

8/32" & 1/4"-20 Threaded Screw w/T-Slot Head used to capture slotted extrusion (nickel plated)

Slot Screw 8/32

8/32" Threaded Screw W/T-Slot Head used to capture slotted extrusion Nickel Plated .200"-.320" Extrusion Slot Width

Slot Screw 1/4-20

1/4"-20 Threaded Screw W/T-Slot Head used to capture slotted extrusion Nickel Plated .350"-.400" Extrusion Slot Width

Threaded Screws w/ Slots

Captures half ball end of cable with:

1. #104 Keps nut, or
2. #170 Acorn nut, or
3. Slot Coupler & Slot Screw to capture a slotted extrusion (i.e. LED Panel)



#170
Acorn Nut

1/4"-20 Acorn Nut
Used on end of cable stud

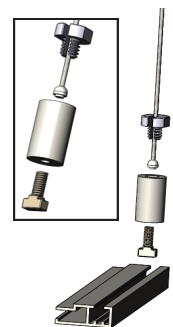


#104
1/4" Keps Nut

Used on end of cable stud



The above crosscable attachment methods can be used with the Cable Puck (page 30), Mono Point products (pages 13-23) as well as other crosscable assemblies.



Pendant Systems

The Lighting Suspension Specialists www.PendantSystems.com P-215-638-8552 F-215-638-8554

Cables



<u>Y- Paddle End Cables</u>	
<u>PS Part#</u>	<u>"Y" Cable Description</u>
AC1/16-60-6Y-PAD	Galvanized 1/16" Cable 60" Long to Y W/ 2-6" Y Legs W/ Paddle ends
AC1/16-120-6Y-PAD	Galvanized 1/16" Cable 120" Long to Y W/ 2-6" Y Legs W/ Paddle ends
AC1/16-60-18Y-PAD	Galvanized 1/16" Cable 60" Long to Y W/ 2-18" Y Legs W/ Paddle ends
AC1/16-120-18Y-PAD	Galvanized 1/16" Cable 120" Long to Y W/ 2-18" Y Legs W/ Paddle ends
AC1/16-180-18Y-PAD	Galvanized 1/16" Cable 180" Long to Y W/ 2-18" Y Legs W/ Paddle ends
AC1/16-240-18Y-PAD	Galvanized 1/16" Cable 240" Long to Y W/ 2-18" Y Legs W/ Paddle ends



<u>Y- Paddle End Cables W/ 1" Loop</u>	
<u>PS Part#</u>	<u>"Y" Cable Description</u>
AC-1/16-36-18Y-PAD	Galvanized Steel 1/16 X 36" w/Loop & 18"-Legs and paddle ends
AC-1/16-12-6Y-PAD	Galvanized Steel 1/16 X 12" w/Loop & 6"-Legs and paddle ends



<u>Y- Hook End Cables</u>	
<u>PS Part#</u>	<u>"Y" Cable Description</u>
AC3/32-60-18Y-HK	Galvanized 3/32" Cable 60" Long to Y W/ 2-18" Y Legs W/Hook ends
AC3/32-120-18Y-HK	Galvanized 3/32" Cable 120" Long to Y W/ 2-18" Y Legs W/ Hook ends
AC3-32-120-18Y-HK SS	Stainless Steel 3/32" Cable 120" Long to Y W/2-18" Y Legs W/ Hook Ends
AC3/32-180-18Y-HK	Galvanized 3/32" Cable 180" Long to Y W/ 2-18" Y Legs W/ Hook ends
AC3/32-240-18Y-HK	Galvanized 3/32" Cable 240" Long to Y W/ 2-18" Y Legs W/ Hook ends



<u>Y- Hook End Cables W/ 1" Loop</u>	
<u>PS Part#</u>	<u>"Y" Cable Description</u>
AC-3/32-36-18Y-HK	Galvanized Steel 3/32" X 36" w/Loop & 18"-Legs and Hook ends

Pendant Systems

The Lighting Suspension Specialists www.PendantSystems.com P-215-638-8552 F-215-638-8554

Cables



<u>Swivel Eye End 1/16" Cable 7 x 7 SWL 66 Lbs</u>	
<u>PS Part#</u>	<u>Cable Description</u>
AC1/16-60G SE	Galvanized 1/16" Cable 60" Long W/ Swivel Eye Cable End .256" Screw Opening
AC1/16-120G SE	Galvanized 1/16" Cable 120" Long W/ Swivel Eye Cable End .256" Screw Opening
AC1/16-180G SE	Galvanized 1/16" Cable 180" Long W/ Swivel Eye Cable End .256" Screw Opening
AC1/16-240G SE	Galvanized 1/16" Cable 240" Long W/ Swivel Eye Cable End .256" Screw Opening



<u>Swivel Eye End 3/32" Cable 7 x 7 SWL 154 Lbs</u>	
<u>PS Part#</u>	<u>Cable Description</u>
AC3/32-60G SE	Galvanized 3/32" Cable 60" Long W/ Swivel Eye Cable End .412" Screw Opening
AC3/32-120G SE	Galvanized 3/32" Cable 120" Long W/ Swivel Eye Cable End .412" Screw Opening
AC3/32-180G SE	Galvanized 3/32" Cable 180" Long W/ Swivel Eye Cable End .412" Screw Opening
AC3/32-240G SE	Galvanized 3/32" Cable 240" Long W/ Swivel Eye Cable End .412" Screw Opening



<u>Loop End 3/64" Cable 7 x 7 SWL 50 Lbs</u>	
<u>PS Part#</u>	<u>Cable Description</u>
AC3/64-60G L	Galvanized 3/64" Cable 60" Long W/ 1" Loop Cable End
AC3/64-120G L	Galvanized 3/64" Cable 120" Long W/ 1" Loop Cable End
AC3/64-180G L	Galvanized 3/64" Cable 180" Long W/ 1" Loop Cable End
AC3/64-240G L	Galvanized 3/64" Cable 240" Long W/ 1" Loop Cable End



<u>Half Ball End 1/32" Cable 1 x 19 SWL 16 Lbs</u>	
<u>PS Part#</u>	<u>Cable Description</u>
AC1/32-36G HB	Stainless 1/32" Cable 36" Long W/ Half Ball Cable End .188" Half Ball
AC1/32-60G HB	Stainless 1/32" Cable 60" Long W/ Half Ball Cable End .188" Half Ball
AC1/32-120G HB	Stainless 1/32" Cable 60" Long W/ Half Ball Cable End .188" Half Ball
AC1/32-180G HB	Stainless 1/32" Cable 60" Long W/ Half Ball Cable End .188" Half Ball
AC1/32-240G HB	Stainless 1/32" Cable 60" Long W/ Half Ball Cable End .188" Half Ball