

# Pendant Systems

The Lighting Suspension Specialists [www.PendantSystems.com](http://www.PendantSystems.com) P-215-638-8552 F-215-638-8554

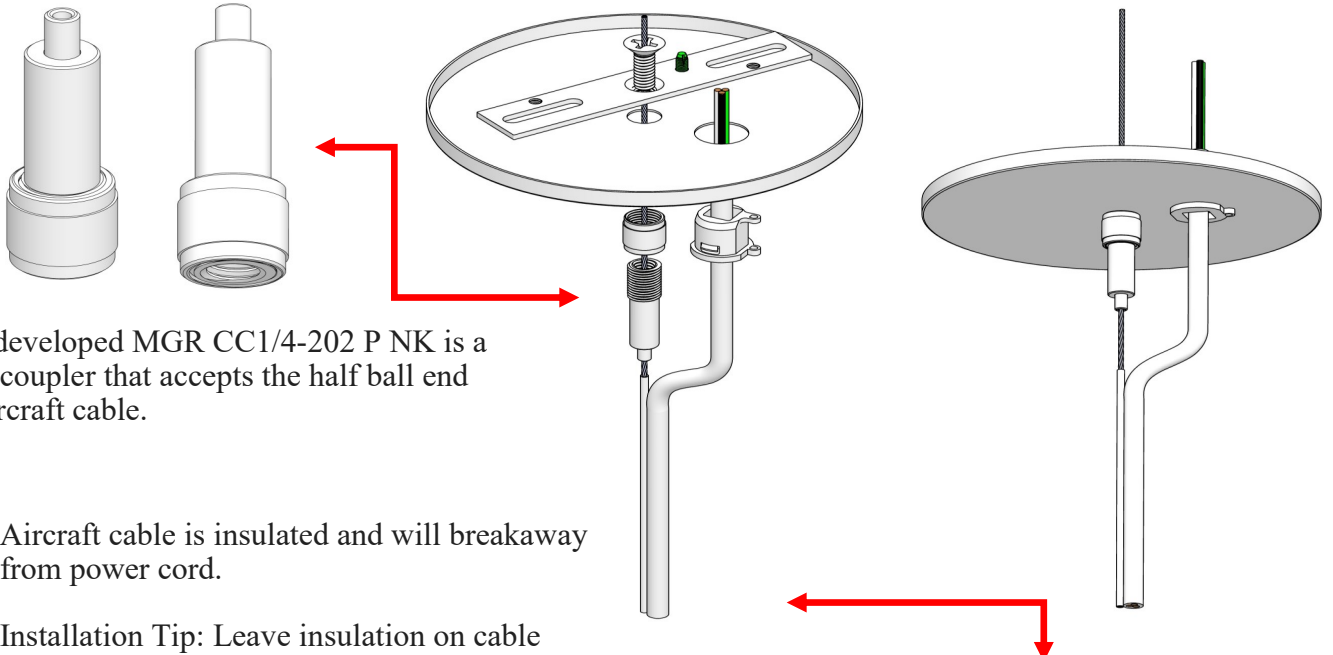
## Introducing our New “Lighting Suspension Cord”!

### Redefining and Refining Suspension

1/16 Aircraft cable is now incorporated with the Power Cord

No need for cable ties, and offers a sleek ,minimalistic appearance

Standard Feed Kit using Lighting Suspension Cord and 2 Piece Gripper-Coupler



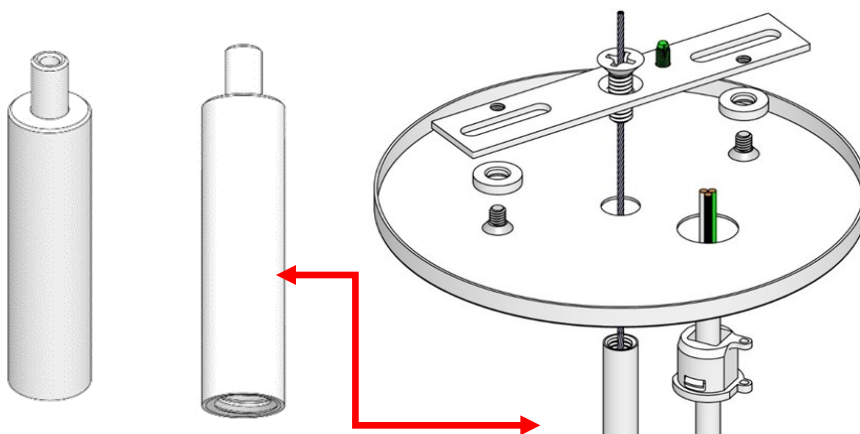
Newly developed MGR CC1/4-202 P NK is a gripper coupler that accepts the half ball end of an aircraft cable.

Aircraft cable is insulated and will breakaway from power cord.

Installation Tip: Leave insulation on cable and cut to length before stripping insulation to avoid fraying of the 7x7 steel cable

Another gripper suited to the fixture will be on the other end as well

Magnet Mounted Feed Kit using Lighting Suspension Cord and 1 Piece Gripper-Coupler



Newly developed MGR CC1/4-20 NK is a gripper coupler that accepts the half ball end of an aircraft cable.

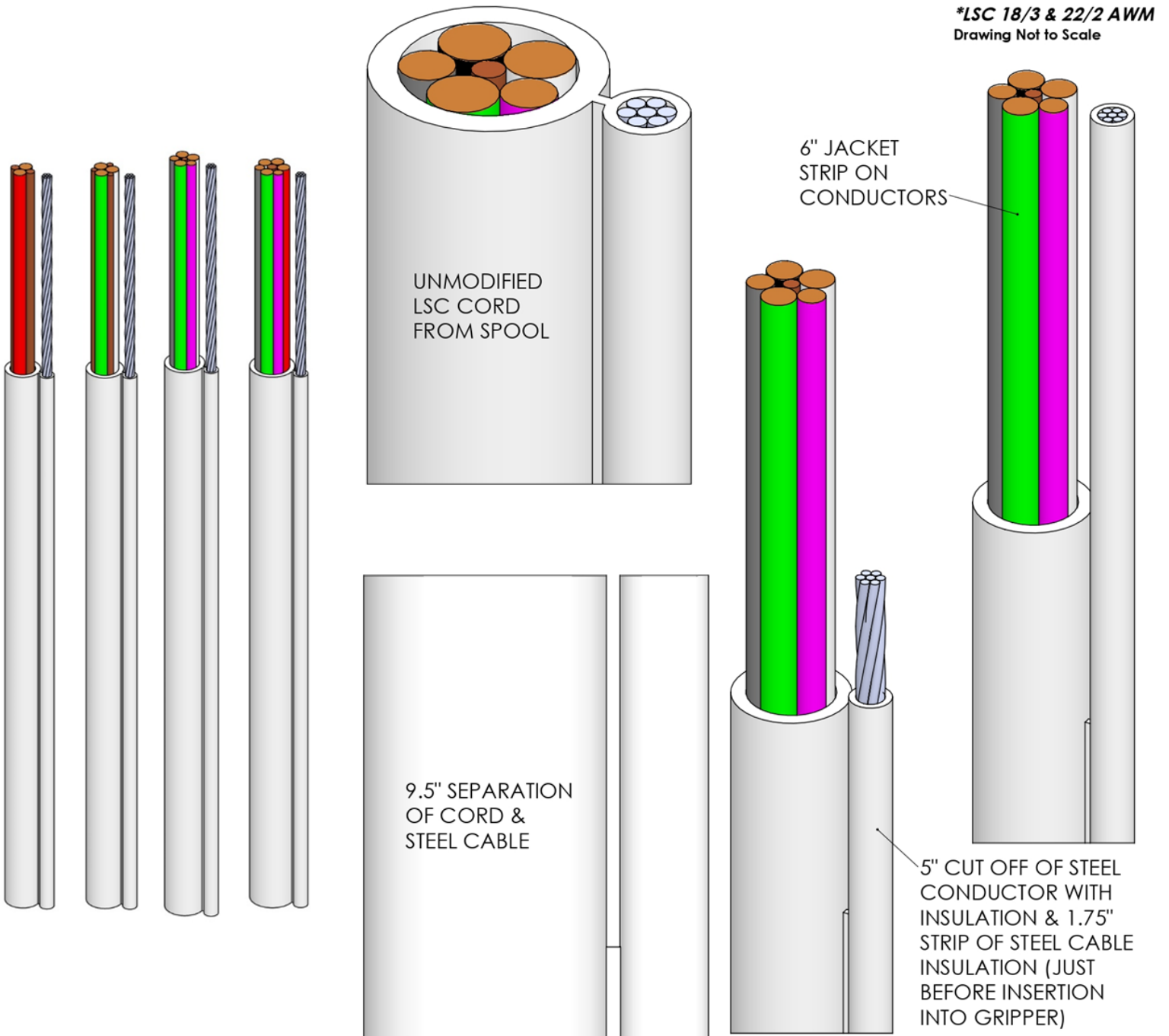
Sample Kit:  
LSC850/60  
LSC826/60

# Pendant Systems

The Lighting Suspension Specialists [www.PendantSystems.com](http://www.PendantSystems.com) P-215-638-8552 F-215-638-8554

## Lighting Suspension Cord (LSC)

Cord Part#	Colors		Featuring
LSC 18/3 AWM	White or Black	300 V 105 C	18/3 AWM w/1/16" Cable
LSC 18/3 & 22/2 AWM	White or Black	300 V 105 C	18/3 & 22/2 AWM w/1/16" Cable



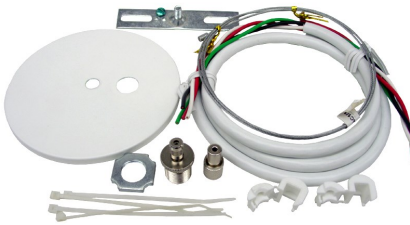
# Pendant Systems

The Lighting Suspension Specialists [www.PendantSystems.com](http://www.PendantSystems.com) P-215-638-8552 F-215-638-8554  
Feed Cable Kits Hardware Series Examples



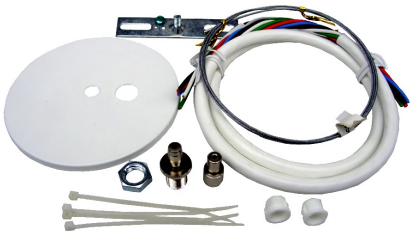
**CC521 Series Kit consists of:**

- 1-#94 5" White Canopy W/.400CH & .620 Power Feed
  - 1-#102 Strain Relief Bushing
  - 1-#158 1/4"-20 Crossbar W/Countersunk Screw
  - 2-#22 3/8"IP Locknut
  - 1-CC1/4-202P 2-Piece Cable Coupler
  - 1-GR3/8IP 3/8"IP Cable Gripper W/Safety Nut
  - 1- Galvanized Cable W/Molded Stop (Length Specified)
- Feed Kit without cord



**CC526 & C527 Series Kit consists of:**

- 1-#94 5" White Canopy W/.400CH & .620 Power Feed
  - 2-#102 Strain Relief Bushing
  - 1-#158 1/4"-20 Crossbar W/Countersunk Screw
  - 2-#22 3/8"IP Locknut
  - 1-CC1/4-202P 2-Piece Cable Coupler
  - 1-GR3/8IP 3/8"IP Cable Gripper W/Safety Nut
  - 4-#111 White Cable Tie (More Ties for Longer Cord)
  - 1- Galvanized Cable W/ Molded Stop (Length Specified)
- CC526 Series w/18/3 SJT Cord 12" longer than cable  
CC527 Series w/18/4 SJT Cord 12" longer than cable



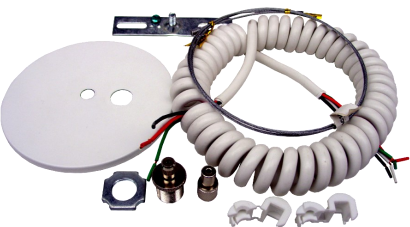
**CC440 Series Kit consists of:**

- 1-#95 5" White Canopy W/.400CH & .875 Power Feed
  - 2-#171 Strain Relief Bushing
  - 1-#158 1/4"-20 Crossbar W/Countersunk Screw
  - 1-#64 1/4"IP Locknut 1/4" Thick
  - 1-CC1/4-202P 2-Piece Cable Coupler
  - 1-GR1/4IP 1/4"IP Cable Gripper W/Safety Nut
  - 1- Galvanized Cable W/Molded Stop (Length Specified)
  - 4-#111 White Cable Tie (More Ties for Longer Cord)
  - 1- Galvanized Cable W/Molded Stop
- CC440 Series w/18/5 SJT Cord 12" longer than cable



**CC531 Series Kit consists of:**

- 1-#94 5" White Canopy W/.400CH & .620 Power Feed
  - 2-#102 Strain Relief Bushing
  - 1-#158 1/4"-20 Crossbar W/Countersunk Screw
  - 2-#22 3/8"IP Locknut
  - 1-CC1/4-202P 2-Piece Cable Coupler
  - 1-GR3/8IP 3/8"IP Cable Gripper W/Safety Nut
  - 1-CCord18/3 18/3 SVT Coil Cord 24"-96" White
  - 1- Galvanized Cable W/Molded Stop (Length Specified)
- Feed Kit w/18/3 coil cord



**CC432 Series Kit consists of:**

- 1-#94 5" White Canopy W/.400CH & .620 Power Feed
  - 2-#102 Strain Relief Bushing
  - 1-#158 1/4"-20 Crossbar W/Countersunk Screw
  - 1-#64 1/4"IP Locknut 1/4" Thick
  - 1-CC1/4-202P Cable Coupler
  - 1-GR1/4IP 1/4"IP Cable Gripper W/Safety Nut
  - 1-CCord18/4 18/4 SVT Coil Cord 24"-96" White
  - 1- Galvanized Cable W/Molded Stop (Length Specified)
- Feed Kit w/18/4 Coil Cord

# Pendant Systems

The Lighting Suspension Specialists www.PendantSystems.com P-215-638-8552 F-215-638-8554

## Non-Feed Cable Kits Hardware Series Examples



### CC520 Series Kit consists of:

- 1-#82 5" White Canopy W/.250CH
- 1-#158 1/4"-20 Crossbar W/Countersunk Screw
- 2-#22 3/8"IP Locknut
- 1-CC1/4-20 Cable Coupler
- 1-GR3/8IP 1/4"IP Cable Gripper W/Safety Nut
- 1- Galvanized Cable W/Molded Stop (Length Specified)  
Junction Box Mount 1-Piece Cable Coupler



### CC422 Series Kit consists of:

- 1-#93 5" White Canopy W/.400CH
- 1-#158 1/4"-20 Crossbar W/Countersunk Screw
- 1-#64 1/4"IP Locknut 1/4" Thick
- 1-CC1/4-202P 2-Piece Cable Coupler
- 1-GR1/4IP 1/4"IP Cable Gripper W/Safety Nut
- 1- Galvanized Cable W/Molded Stop (Length Specified)  
Junction Box Mount 2-Piece Cable Coupler



### CC524 Series Kit consists of:

- 1-#82 5" White Canopy W/.250CH
- 1-#110 Caddy Independent Support Clip
- 2-#22 3/8"IP Locknut
- 1-CC1/4-20 Cable Coupler
- 1-GR3/8IP 3/8"IP Cable Gripper W/Safety Nut
- 1- Galvanized Cable W/Molded Stop (Length Specified)  
Drop Ceiling Grid Mount 5" Canopy &  
1-Piece Cable Coupler



### CC425 Series Kit consists of:

- 1-#93 5" White Canopy W/.400CH
- 1-#110 Caddy Independent Support Clip
- 1-#64 1/4"IP Locknut 1/4" Thick
- 1-CC1/4-202P 2-Piece Cable Coupler
- 1-GR1/4IP 1/4"IP Cable Gripper W/Safety Nut
- 1- Galvanized Cable W/Molded Stop (Length Specified)  
Drop Ceiling Grid Mount 5" Canopy &  
2-Piece Cable Coupler



### CC428 Series Kit consists of:

- 1-#89 2" White Canopy W/.250CH
- 1-#110 Caddy Independent Support Clip
- 1-#64 1/4"IP Locknut 1/4" Thick
- 1-CC1/4-20 Cable Coupler
- 1-GR1/4IP 1/4"IP Cable Gripper W/Safety Nut
- 1- Galvanized Cable W/Molded Stop (Length Specified)  
Drop Ceiling Grid Mount 2" Canopy



# Pendant Systems

The Lighting Suspension Specialists [www.PendantSystems.com](http://www.PendantSystems.com) P-215-638-8552 F-215-638-8554  
Non-Feed Cable Kits Hardware Series Examples



### CC635 Series Kit consists of:

- 1-#112 Cable Loop Adapter
- 1-#77 1/2" IP Locknut
- 1-GR1/2IP 1/2" IP Cable Gripper W/Safety Nut
- 1- Galvanized Cable W/Molded Stop  
(Length Specified)

Loop over structure mount



### CC436 Series Kit consists of:

- 1-#69 1/4"-20 x 3/4" Bolt
- 2-#124 1/4"-20 Washer
- 1-#64 1/4" IP Locknut 1/4" Thick
- 1-CC1/4-20 1-Piece Cable Coupler
- 1-GR1/4IP 1/4" IP Cable Gripper W/Safety Nut
- 1- Galvanized Cable W/Molded Stop  
(Length Specified)

Uni-Strut mount



### CC537 Series Kit consists of:

- 1-#89 2" White Canopy W/.250CH
- 1-#59-2 1/4-20 Stud x 2" Long
- 2-#22 3/8" IP Locknut
- 1-CC1/4-20 1-Piece Cable Coupler
- 1-GR3/8IP 3/8" IP Cable Gripper W/Safety Nut
- 1- Galvanized Cable W/Molded Stop  
(Length Specified)

Masonry mount to either powder actuated fired  
1/4"-20 stud or 1/4"-20 sleeve anchor (not provided)



### CC338 Series Kit consists of:

- 1-#89 2" White Canopy W/.250CH
- 1-#109 2" Long Lag Screw
- 1-CC1/4-20 Cable Coupler
- 1-GR1/4IP-TN 1/4" IP Cable Gripper W/Safety Nut
- 1- Galvanized Cable W/Molded Stop  
(Length Specified)

Lag screw into wood mount



### CC239 Series Kit consists of:

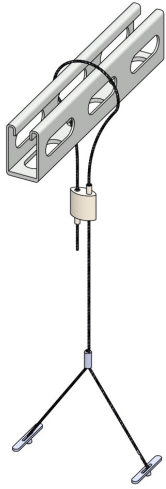
- 1-#89 2" White Canopy W/.250CH
- 1-#109 2" Long Lag Screw
- 1-#69B 1/4"-20 x 3" Bolt
- 1-#69A 1/4"-20 x 3/8" Bolt
- 1-#115 Butterfly Toggle
- 1-CC1/4-20 Cable Coupler
- 1-MGR-SE-1/4-20 Cable Gripper W/Safety Nut
- 1- Galvanized Cable W/Molded Stop  
(Length Specified)

Drywall mount with toggle or lag screw

# Pendant Systems

The Lighting Suspension Specialists www.PendantSystems.com P-215-638-8552 F-215-638-8554

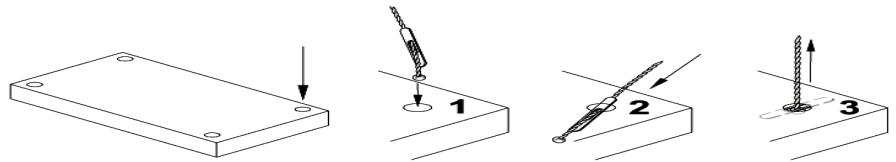
## High Bay “Y”- Cable Suspension Kits



High Bay Suspension Kit, includes 2 each galvanized 1/16” cables with “Y” intersection with 18” legs, with captive paddles for inserting into .250” holes in fixture. Kits includes 2 each of KL-100 for attaching the single end of the cable around structure .  
80Lbs Per Cable Max Weight

HB-LG-60-6Y-PAD	Packed with 2 each 60” Y Cables and KL-100
HB-LG-120-6Y-PAD	Packed with 2 each 120” y Cables and LG-16
HB-LG-60-18Y-PAD	Packed with 2 each 60” Y Cables and LG-16
HB-LG-120-18Y-PAD	Packed with 2 each 120” Y Cables and LG-16
HB-LG-180-18Y-PAD	Packed with 2 each 180” Y Cables and LG-16
HB-LG-240-18Y-PAD	Packed with 2 each 240” Y Cables and LG-16

Paddle  
Insertion  
Into  
Fixture



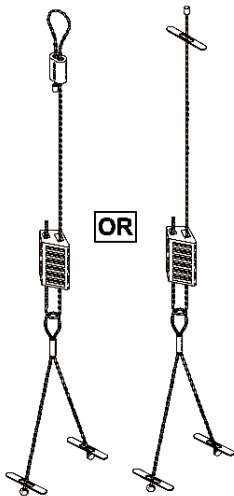
## High Bay “Y”- Cable Suspension Kits

High Bay Suspension Kit, includes 2 each galvanized 1/16” cables with “Y” intersection with 18” legs, with captive paddles for inserting into .250” holes in fixture. Kits includes 2 each of LG-16 gripper for attaching the single end of the cable around structure .  
80Lbs Per Cable Max Weight

HB-LG-60-6Y-PAD	Packed with 2 each 60” Y Cables and LG-16
HB-LG-120-6Y-PAD	Packed with 2 each 120” y Cables and LG-16
HB-LG-60-18Y-PAD	Packed with 2 each 60” Y Cables and LG-16
HB-LG-120-18Y-PAD	Packed with 2 each 120” Y Cables and LG-16
HB-LG-180-18Y-PAD	Packed with 2 each 180” Y Cables and LG-16
HB-LG-240-18Y-PAD	Packed with 2 each 240” Y Cables and LG-16

## High Bay “Y”- Cable Loop and Paddle Suspension Kits

This High Bay Kit allows use of our standard galvanized steel stock cable assemblies with #1 stop to loop over structure using the #112 loop adapter or insert through 1/4” Hole in metal decking using PD-1/16 Paddle end with cable stop. The cut end of cable captures the loop in Y (6” or 18”) paddle assembly using the KL-100 Kwik-Loc device. The height adjustability would be directly overtop the fixture end for easy adjustability.  
75Lbs Per Cable Max Weight



HB-72-18Y PAD-L&P	2-AC1/16-72, 2-#112, 2-PD1/16, 2-KL100, 2-AC1/16-36-18Y PAD
HB-120-18Y PAD-L&P	2-AC1/16-120, 2-#112, 2-PD1/16, 2-KL100, 2-AC1/16-36-18Y PAD
HB-200-18Y PAD-L&P	2-AC1/16-200, 2-#112, 2-PD1/16, 2-KL100, 2-AC1/16-36-18Y PAD
HB-250-18Y PAD-L&P	2-AC1/16-250, 2-#112, 2-PD1/16, 2-KL100, 2-AC1/16-36-18Y PAD

\*Kits are available with 6” Y legs as well as the 18Y legs as shown above on Part Numbers 75

# Pendant Systems

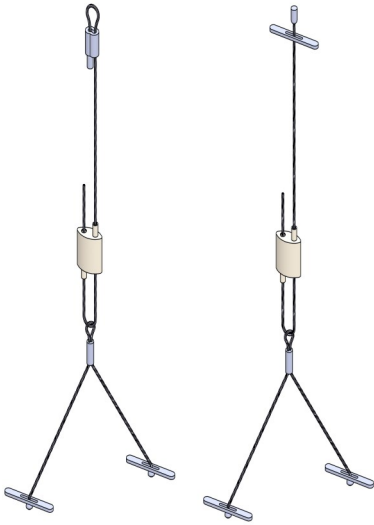
The Lighting Suspension Specialists www.PendantSystems.com P-215-638-8552 F-215-638-8554

## High Bay “Y”- Cable Loop and Paddle Suspension Kits

This High Bay Kit allows use of our standard galvanized steel stock cable assemblies with #1 stop to loop over structure using the #112 loop adapter or insert through 1/4” Hole in metal decking using PD-1/16 Paddle end with cable stop. The cut end of cable captures the loop in Y (6” or 18”) paddle assembly using the KL-100 Kwik-Loc device. The height adjustability would be directly overtop the fixture end for easy adjustability. 75Lbs Per Cable Max Weight

HB-LG-72-18Y PAD-L&P	2-AC1/16-72, 2-#112, 2-PD1/16, 2-LG-16, 2-AC1/16-36-18Y PAD
HB-LG-120-18Y PAD-L&P	2-AC1/16-120, 2-#112, 2-PD1/16, 2-LG-16, 2-AC1/16-36-18Y PAD
HB-LG-200-18Y PAD-L&P	2-AC1/16-200, 2-#112, 2-PD1/16, 2-LG-16, 2-AC1/16-36-18Y PAD
HB-LG-250-18Y PAD-L&P	2-AC1/16-250, 2-#112, 2-PD1/16, 2-LG-16, 2-AC1/16-36-18Y PAD

\*Kits are available with 6” Y legs as well as the 18Y legs as shown above on Part Numbers



## High Bay “Y”- Cable Loop End and Paddle Suspension

High Bay Suspension Kit, includes 2 each of galvanized 1/16” cables with Loop End and “Y” intersection with (6” or 18”) legs, with captive paddles for inserting into .250” holes in fixture. Kits includes 2 each of KL-100 Kwik-Locs for attaching the single end of the cable to top of Y Assembly directly overtop of fixture. 75Lbs Per Cable Max Weight

HB-60-18Y-LE-PAD	2-AC1/16-60G-L, 2-KL100, 2-AC1/16-36-18Y PAD
HB-120-18Y-LE-PAD	2-AC1/16-120G-L, 2-KL100, 2-AC1/16-36-18Y PAD
HB-180-18Y-LE-PAD	2-AC1/16-180G-L, 2-KL100, 2-AC1/16-36-18Y PAD
HB-240-18Y-LE-PAD	2-AC1/16-240G-L, 2-KL100, 2-AC1/16-36-18Y PAD
HB-300-18Y-LE-PAD	2-AC1/16-300G-L, 2-KL100, 2-AC1/16-36-18Y PAD

\*Kits are available with 6” Y legs as well as the 18Y legs as shown above on Part Numbers

Line Drawings are available on website under Drawings Link



## High Bay / Cable Tray Y-Hook - Cable Suspension Kits

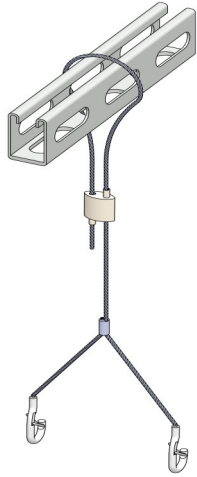
High Bay / Cable Tray Suspension Kit, includes 2 each of: galvanized 3/32” cables with “Y” intersection with 18” legs with snap hook style ends and KL-100 Kwik-Locs for attaching the single end of the cable around structure. 150 Lbs. Per Cable Max Weight

HK-60-18Y	Packed with 2 each 60” Y Cables and Kwik-Locs
HK-120-18Y	Packed with 2 each 120” Y Cables and Kwik-Locs
HK-180-18Y	Packed with 2 each 180” Y Cables and Kwik-Locs
HK-240-18Y	Packed with 2 each 240” Y Cables and Kwik-Locs
Also Available in Single Pack– Add –S Suffix to Part # Above for Single Pack	



# Pendant Systems

The Lighting Suspension Specialists www.PendantSystems.com P-215-638-8552 F-215-638-8554



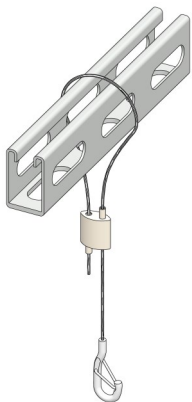
## High Bay / Cable Tray Y-Hook - Cable Suspension Kits

High Bay / Cable Tray Suspension Kit, includes 2 each of: galvanized 1/16" cables with "Y" intersection with 18" legs with snap hook style ends and LG-16 Grippers for attaching the single end of the cable around structure. 80 Lbs. Per Cable Max Weight	
HK-LG-60-18Y 1/16	Packed with 2 each 60" Y Cables and LG-16
HK-LG-120-18Y 1/16	Packed with 2 each 120" Y Cables and LG-16
HK-LG-180-18Y 1/16	Packed with 2 each 180" Y Cables and LG-16
HK-LG-240-18Y 1/16	Packed with 2 each 240" Y Cables and LG-16
Also Available in Single Pack- Add -S Suffix to Part # Above for Single Pack	



## High Bay / Cable Tray Y-Hook - Cable Suspension Kits

High Bay / Cable Tray Suspension Kit, includes 2 each of: galvanized 3/32" cables with "Y" intersection with 18" legs with snap hook style ends and LG-32 Grippers for attaching the single end of the cable around structure. 150 Lbs. Per Cable Max Weight	
HK-LG-60-18Y 3/32	Packed with 2 each 60" Y Cables and LG-32
HK-LG-120-18Y 3/32	Packed with 2 each 120" Y Cables and LG-32
HK-LG-180-18Y 3/32	Packed with 2 each 180" Y Cables and LG-32
HK-LG-240-18Y 3/32	Packed with 2 each 240" Y Cables and LG-32
Also Available in Single Pack- Add -S Suffix to Part # Above for Single Pack	



High Bay / Cable Tray Suspension Kit, includes 2 each of: galvanized 1/16" or 3/32" cables with snap hook style ends and LG-32 Grippers for attaching the single end of the cable around structure. 80 lbs. (LG-1/16) & 150 lbs. (LG-3/32). Per Cable Max Weight	
HK-LG-60-1/16	Packed with 2 each 1/16th- 60" Single Cables and LG-16
HK-LG-120-1/16	Packed with 2 each 1/16th -120" Single Cables and LG-16
HK-LG-180-1/16	Packed with 2 each 1/16th- 180" Single Cables and LG-16
HK-LG-240-1/16	Packed with 2 each 1/16th -240" Single Cables and LG-16
HK-LG-60-3/32	Packed with 2 each 3/32nd- 60" Single Cables and LG-32
HK-LG-120-3/32	Packed with 2 each 3/32nd -120" Single Cables and LG-32
HK-LG-180-3/32	Packed with 2 each 3/32nd- 180" Single Cables and LG-32
HK-LG-240-3/32	Packed with 2 each 3/32nd -240" Single Cables and LG-32
Also Available in Single Pack- Add -S Suffix to Part # Above for Single Pack	



# Pendant Systems

The Lighting Suspension Specialists www.PendantSystems.com P-215-638-8552 F-215-638-8554



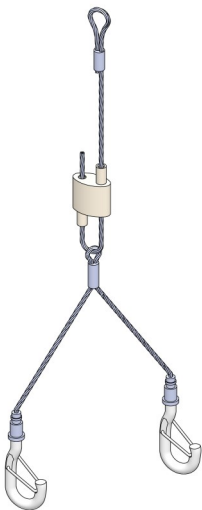
## High Bay / Cable Tray Loop and Y-Hook Suspension Kits

<p>High Bay / Cable Tray Kit allows use of our standard galvanized steel 3/32" stock cable assemblies with 1" loop end over structure. Then the cut end of cable captures the loop in Y-Hook cable assembly using the KL-100 Kwik- Loc device. The height adjustability would be directly overtop the fixture / cable tray end for easy adjustability. 150 Lbs. Per Cable Max Weight</p>	
HK-60-18Y-L	2-AC3/32-72G-L, 2-KL100, 2-AC3/32-36G-18Y-HK
HK-120-18Y-L	2-AC3/32-120G-L, 2-KL100, 2-AC3/32-36G-18Y-HK
HK-180-18Y-L	2-AC3/32-180G-L, 2-KL100, 2-AC3/32-36G-18Y-HK
HK-240-18Y-L	2-AC3/32-240G-L, 2-KL100, 2-AC3/32-36G-18Y-HK
<p>Also Available in Single Pack– Add –S Suffix to Part # Above for Single Pack</p>	



## High Bay / Cable Tray Loop and Y-Hook Suspension Kits

<p>High Bay / Cable Tray Kit allows use of our standard galvanized steel 1/16" stock cable assemblies with 1" loop end over structure. Then the cut end of cable captures the loop in Y-Hook cable assembly using the LG-16 Gripper. The height adjustability would be directly overtop the fixture / cable tray end for easy adjustability. 80 Lbs. Per Cable Max Weight</p>	
HK-LG-60-18Y-L 1/16	2-AC1/16-72G-L, 2-LG-16, 2-AC1/16-36G-18Y-HK
HK-LG-120-18Y-L 1/16	2-AC1/16-120G-L, 2-LG-16, 2-AC1/16-36G-18Y-HK
HK-LG-180-18Y-L 1/16	2-AC1/16-180G-L, 2-LG-16, 2-AC1/16-36G-18Y-HK
HK-LG-240-18Y-L 1/16	2-AC1/16-240G-L, 2-LG-16, 2-AC1/16-36G-18Y-HK
<p>Also Available in Single Pack– Add –S Suffix to Part # Above for Single Pack</p>	



## High Bay / Cable Tray Loop and Y-Hook Suspension Kits

<p>High Bay / Cable Tray Kit allows use of our standard galvanized steel 3/32" stock cable assemblies with 1" loop end over structure. Then the cut end of cable captures the loop in Y-Hook cable assembly using the LG-32 Gripper. The height adjustability would be directly overtop the fixture / cable tray end for easy adjustability. 150 Lbs. Per Cable Max Weight</p>	
HK-LG-60-18Y-L 3/32	2-AC3/32-72G-L, 2-LG-32, 2-AC3/32-36G-18Y-HK
HK-LG-120-18Y-L 3/32	2-AC3/32-120G-L, 2-LG-32, 2-AC3/32-36G-18Y-HK
HK-LG-180-18Y-L 3/32	2-AC3/32-180G-L, 2-LG-32, 2-AC3/32-36G-18Y-HK
HK-LG-240-18Y-L 3/32	2-AC3/32-240G-L, 2-LG-32, 2-AC3/32-36G-18Y-HK
<p>Also Available in Single Pack– Add –S Suffix to Part # Above for Single Pack</p>	

# Pendant Systems

The Lighting Suspension Specialists www.PendantSystems.com P-215-638-8552 F-215-638-8554



## Safety Cable Kits

Simple Safety Cable Kit for using the stop end of cable with the #112 Duplex ferrule around a mounting support then down to fixture (Through pendant) to inside a fixture for attachment there with the #113 Cable Locking Tube.

1 Cable, 112, 113 Per Kit  
50 Lbs. Per Cable Max Weight

Safety Cable Kit 50"	1-AC1/16-50G, 1-#112, 1-#113
Safety Cable Kit 72"	1-AC1/16-72G, 1-#112, 1-#113
Safety Cable Kit 100"	1-AC1/16-100G, 1-#112, 1-#113
Safety Cable Kit 120"	1-AC1/16-120G, 1-#112, 1-#113
Safety Cable Kit 150"	1-AC1/16-150G, 1-#112, 1-#113

Line Drawings are available on website under Drawings Link

## High Bay Loop End Kit W/ 1/16" Cable

High Bay suspension kit includes 2 each of: galvanized 1/16" cables with loop end cable for looping around structure and KL-100 Kwik-Locs for attaching the single end of the cable to the fixture. 75 Lbs. Per Cable Max Weight

HB-60-Loop 1/16	Packed with 2 each 60" Loop End Cables and Kwik-Locs
HB-120-Loop 1/16	Packed with 2 each 120" Loop End Cables and Kwik-Locs
HB-180-Loop 1/16	Packed with 2 each 180" Loop End Cables and Kwik-Locs
HB-240-Loop 1/16	Packed with 2 each 240" Loop End Cables and Kwik-Locs
HB-300-Loop 1/16	Packed with 2 each 300" Loop End Cables and Kwik-Locs
Also Available in Single Pack- Add -S Suffix to Part # Above for Single Pack	

1/16"  
Cable



## High Bay Loop End Kit W/ 1/16" Cable

High Bay suspension kit includes 2 each of: galvanized 1/16" cables with loop end cable for looping around structure and LG-16 gripper for attaching the single end of the cable to the fixture. 80 Lbs. Per Cable Max Weight

HB-LG-60-Loop 1/16	Packed with 2 each 60" Loop End Cables and LG-16
HB-LG-120-Loop 1/16	Packed with 2 each 120" Loop End Cables and LG-16
HB-LG-180-Loop 1/16	Packed with 2 each 180" Loop End Cables and LG-16
HB-LG-240-Loop 1/16	Packed with 2 each 240" Loop End Cables and LG-16
HB-LG-300-Loop 1/16	Packed with 2 each 300" Loop End Cables and LG-16
Also Available in Single Pack- Add -S Suffix to Part # Above for Single Pack	



# Pendant Systems

The Lighting Suspension Specialists www.PendantSystems.com P-215-638-8552 F-215-638-8554

## High Bay Loop End Kit W/ 3/32" Cable

3/32" Cable



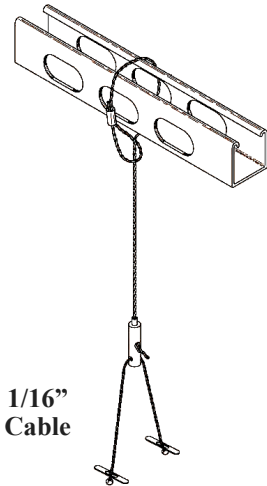
High Bay suspension kit includes 2 each of: galvanized 3/32" cables with loop end cable for looping around structure and KL-100 Kwik-Locs for attaching the single end of the cable to the fixture. 150 Lbs. Per Cable Max Weight	
HB-60-Loop 3/32	Packed with 2 each 60" Loop End Cables and Kwik-Locs
HB-120-Loop 3/32	Packed with 2 each 120" Loop End Cables and Kwik-Locs
HB-180-Loop 3/32	Packed with 2 each 180" Loop End Cables and Kwik-Locs
HB-240-Loop 3/32	Packed with 2 each 240" Loop End Cables and Kwik-Locs
Also Available in Single Pack- Add -S Suffix to Part # Above for Single Pack	

## High Bay Loop End Kit W/ 3/32" Cable



High Bay suspension kit includes 2 each of: galvanized 3/32" cables with loop end cable for looping around structure and LG-32 grippers for attaching the single end of the cable to the fixture. 150 Lbs. Per Cable Max Weight	
HB-LG-60-Loop 3/32	Packed with 2 each 60" Loop End Cables and LG-32
HB-LG-120-Loop 3/32	Packed with 2 each 120" Loop End Cables and LG-32
HB-LG-180-Loop 3/32	Packed with 2 each 180" Loop End Cables and LG-32
HB-LG-240-Loop 3/32	Packed with 2 each 240" Loop End Cables and LG-32
Also Available in Single Pack- Add -S Suffix to Part # Above for Single Pack	

## High Bay Cross Loop End Cable Kit W/ Cross Cable Paddle End Gripper Assembly



1/16" Cable

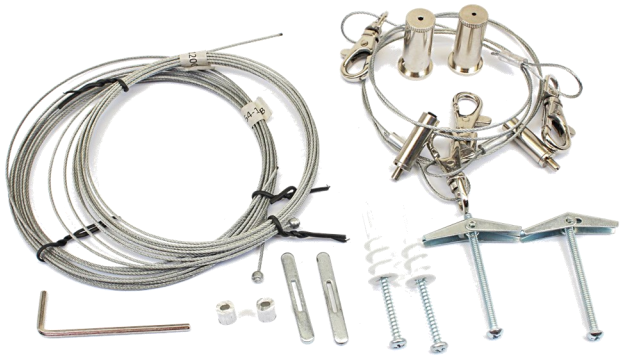
High Bay suspension kit includes 2 each of: galvanized 1/16" cables with loop end cable for looping around structure and Crossable Gripper Assembly with 8", 12", or 36" Crossable Lengths. 100 Lbs. Per Set Max Fixture Weight or 50lbs per cable Max Weight	
HB Cross-60-8 CC-PD	60" Loop End Cables and 8" Cross Cable Assembly
HB Cross-120-8 CC-PD	120" Loop End Cables and 8" Cross Cable Assembly
HB Cross-180-8 CC-PD	180" Loop End Cables and 8" Cross Cable Assembly
HB Cross-240-8 CC-PD	240" Loop End Cables and 8" Cross Cable Assembly
HB Cross-300-8 CC-PD	300" Loop End Cables and 8" Cross Cable Assembly
Cross Cable Gripper Assembly available with 12" or 36" Cross Cable Lengths.	

# Pendant Systems

The Lighting Suspension Specialists [www.PendantSystems.com](http://www.PendantSystems.com) P-215-638-8552 F-215-638-8554

## Flat Panel Suspension Kits

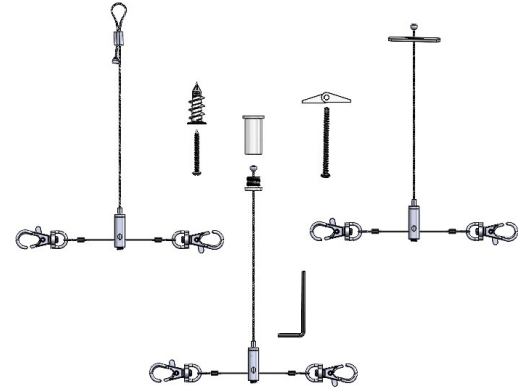
### Universal Flat Panel Suspension Kits Drywall / Surface, Looping, Steel Deck 3/64" Cable



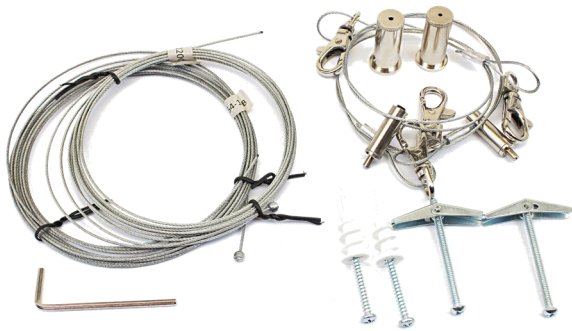
**Flat Panel Universal Mounting Kit  
W/ Swivel Eye Snap Hook Ends  
Drywall/ Loop / Steel Deck Mounts  
Standoff Base Threaded 1/4"-20  
10 Lbs. Per Cable Max Weight**

FP-36 SW-EYE UNIV	36" Cable
FP-60 SW-EYE UNIV	60" Cable
FP-120 SW-EYE UNIV	120" Cable
FP-180 SW-EYE UNIV	180" Cable
FP-240 SW-EYE UNIV	240" Cable

2-Packs for Single Fixture Mounting



### Flat Panel Suspension Kits Drywall / Surface 3/64" Cable



**Flat Panel Dry Wall Mounting Kit  
W/ Swivel Eye Snap Hook Ends  
Drywall/ Surface Mounts  
Standoff Base Threaded 1/4"-20  
10 Lbs. Per Cable Max Weight**

FP-36 SW-EYE DW	36" Cable
FP-60 SW-EYE DW	60" Cable
FP-120 SW-EYE DW	120" Cable
FP-180 SW-EYE DW	180" Cable
FP-240 SW-EYE DW	240" Cable

2-Packs for Single Fixture Mounting



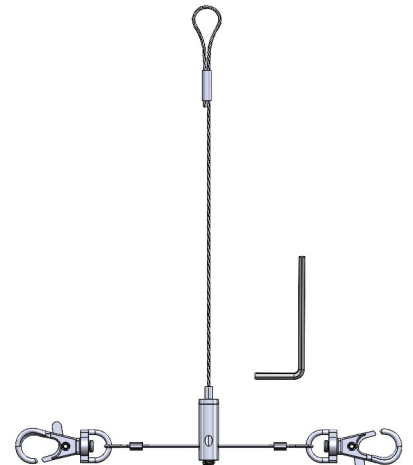
### Flat Panel Suspension Kits Loop End Cables 3/64" Cable



**Flat Panel Loop End Mounting Kit  
W/ Swivel Eye Snap Hook Ends  
Standoff Base Threaded 1/4"-20  
10 Lbs. Per Cable Max Weight**

FP-36 SW-EYE LE	36" Cable
FP-60 SW-EYE LE	60" Cable
FP-120 SW-EYE LE	120" Cable
FP-180 SW-EYE LE	180" Cable
FP-240 SW-EYE LE	240" Cable

2-Packs for Single Fixture Mounting



Kits Can Also be Made with 8" HB Crosscable & 8" HB Paddle End Crosscable Gripper Assemblies  
HB or HB PD instead of SW-EYE



# Pendant Systems

The Lighting Suspension Specialists [www.PendantSystems.com](http://www.PendantSystems.com) P-215-638-8552 F-215-638-8554

## Flat Panel Suspension Kits

### Universal Flat Panel Suspension Kits Steel Deck 3/64" Cable



**Flat Panel Steel Deck Mounting Kit  
W/ Swivel Eye Snap Hook Ends  
Standoff Base Threaded 1/4"-20  
10 Lbs. Per Cable Max Weight**

FP-36 SW-EYE SD	36" Cable
FP-60 SW-EYE SD	60" Cable
FP-120 SW-EYE SD	120" Cable
FP-180 SW-EYE SD	180" Cable
FP-240 SW-EYE SD	240" Cable

**2-Packs for Single Fixture Mounting**



### Flat Panel Suspension Kits T-Bar 3/64" Cable



**Flat Panel T-Bar Mounting Kit  
W/ Swivel Eye Snap Hook Ends  
Standoff Base Threaded 1/4"-20  
10 Lbs. Per Cable Max Weight**

FP-36 SW-EYE TB	36" Cable
FP-60 SW-EYE TB	60" Cable
FP-120 SW-EYE TB	120" Cable
FP-180 SW-EYE TB	180" Cable
FP-240 SW-EYE TB	240" Cable

**2-Packs for Single Fixture Mounting**



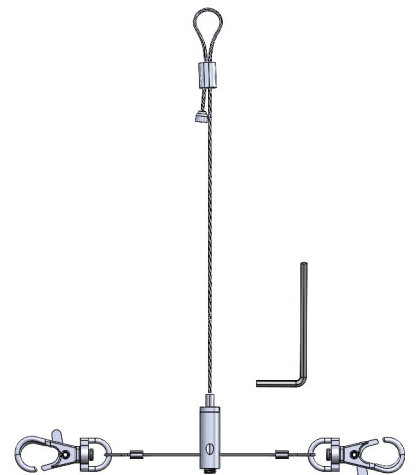
### Flat Panel Suspension Kits Looping W/ Duplex Ferrule HB End Cable 3/64" Cable



**Flat Panel Looping DF Mounting  
Kit W/ Swivel Eye Snap Hook Ends  
Standoff Base Threaded 1/4"-20  
10 Lbs. Per Cable Max Weight**

FP-36 SW-EYE DF	36" Cable
FP-60 SW-EYE DF	60" Cable
FP-120 SW-EYE DF	120" Cable
FP-180 SW-EYE DF	180" Cable
FP-240 SW-EYE DF	240" Cable

**2-Packs for Single Fixture Mounting**



Kits Can Also be Made with 8" HB Crosscable & 8" HB Paddle End Crosscable Gripper Assemblies  
HB or HB PD instead of SW-EYE

# Pendant Systems

The Lighting Suspension Specialists www.PendantSystems.com P-215-638-8552 F-215-638-8554

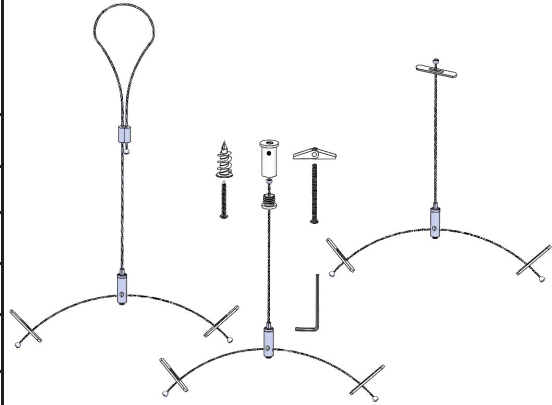
## High Bay Cross Paddle Suspension Kits

### Universal High Bay Suspension Kits Drywall / Surface, Looping, Steel Deck 1/16" Cable

**High Bay Universal Mounting Kit W/  
Crosscable Paddle Gripper  
Drywall/ Loop / Steel Deck Mounts  
Standoff Base Threaded 1/4"-20  
50 Lbs. Per Cable Max Weight**

HB-Cross-36 36PD UNIV	36" Cable
HB-Cross-60 36PD UNIV	60" Cable
HB-Cross-120 36PD UNIV	120" Cable
HB-Cross-180 36PD UNIV	180" Cable
HB-Cross-240 36PD UNIV	240" Cable

**2-Packs for Single Fixture Mounting  
36" CC can also be 8", 12", 24"**

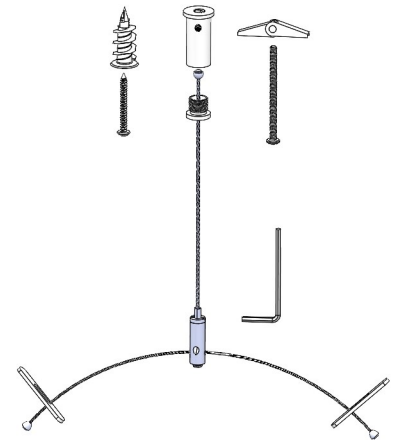


### High Bay Suspension Kits Drywall / Surface 1/16" Cable

**High Bay Dry Wall Mounting Kit W/  
Crosscable Paddle Gripper  
Drywall/ Surface Mounts  
Standoff Base Threaded 1/4"-20  
50 Lbs. Per Cable Max Weight**

HB-Cross-36 36PD DW	36" Cable
HB-Cross-60 36PD DW	60" Cable
HB-Cross-120 36PD DW	120" Cable
HB-Cross-180 36PD DW	180" Cable
HB-Cross-240 36PD DW	240" Cable

**2-Packs for Single Fixture Mounting  
36" CC can also be 8", 12", 24"**

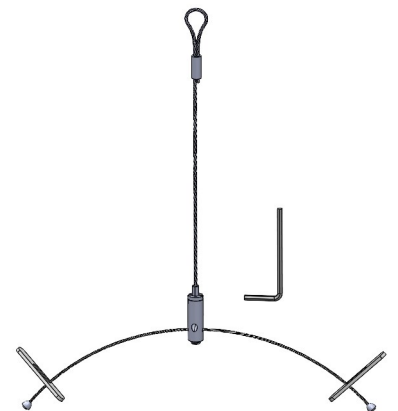


### High Bay Suspension Kits Loop End Cables 1/16" Cable

**High Bay Loop End Mounting Kit  
W/ Crosscable Paddle Gripper  
Standoff Base Threaded 1/4"-20  
50 Lbs. Per Cable Max Weight**

HB-Cross-36 36PD LE	36" Cable
HB-Cross-60 36PD LE	60" Cable
HB-Cross-120 36PD LE	120" Cable
HB-Cross-180 36PD LE	180" Cable
HB-Cross-240 36PD LE	240" Cable

**2-Packs for Single Fixture Mounting  
36" CC can also be 8", 12", 24"**



**Kits Can Also be Made with 8", 12", 24" & 36"  
XX= Crosscable Length**

# Pendant Systems

The Lighting Suspension Specialists www.PendantSystems.com P-215-638-8552 F-215-638-8554

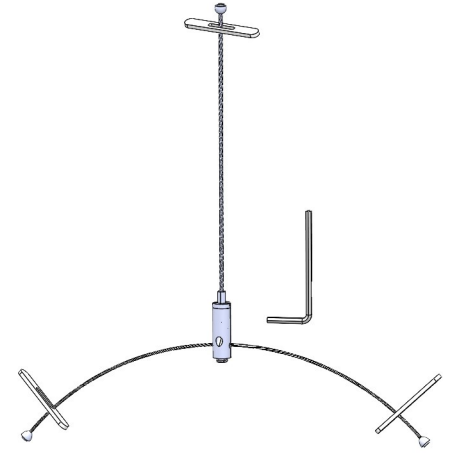
## High Bay Cross Paddle Suspension Kits

### Universal High Bay Suspension Kits Steel Deck 1/16" Cable

High Bay Steel Deck Mounting Kit  
W/ Crosscable Paddle Gripper  
Standoff Base Threaded 1/4"-20  
50 Lbs. Per Cable Max Weight

HB-Cross-36 36PD SD	36" Cable
HB-Cross-60 36PD SD	60" Cable
HB-Cross-120 36PD SD	120" Cable
HB-Cross-180 36PD SD	180" Cable
HB-Cross-240 36PD SD	240" Cable

2-Packs for Single Fixture Mounting  
36" CC can also be 8", 12", 24"

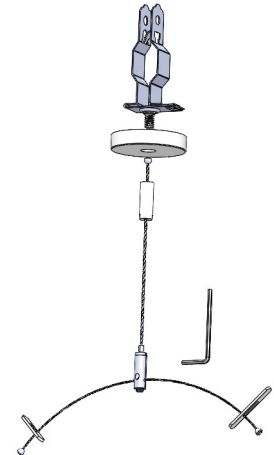


### High Bay Suspension Kits T-Bar 1/16" Cable

High Bay T-Bar Mounting Kit  
W/ Crosscable Paddle Gripper  
Standoff Base Threaded 1/4"-20  
50 Lbs. Per Cable Max Weight

HB-Cross-36 36PD TB	36" Cable
HB-Cross-60 36PD TB	60" Cable
HB-Cross-120 36PD TB	120" Cable
HB-Cross-180 36PD TB	180" Cable
HB-Cross-240 36PD TB	240" Cable

2-Packs for Single Fixture Mounting  
36" CC can also be 8", 12", 24"

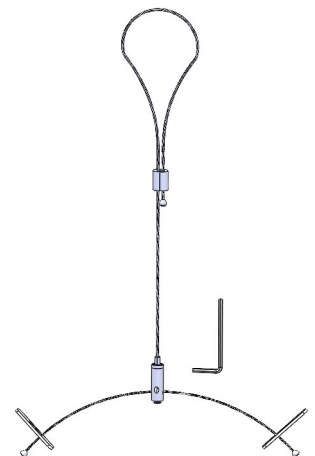


### High Bay Suspension Kits Looping W/ Duplex Ferrule HB End Cable 1/16" Cable

High Bay Looping DF Mounting W/  
W/ Crosscable Paddle Gripper  
Standoff Base Threaded 1/4"-20  
50 Lbs. Per Cable Max Weight

HB-Cross-36PD DF	36" Cable
HB-Cross-60PD DF	60" Cable
HB-Cross-120PD DF	120" Cable
HB-Cross-180PD DF	180" Cable
HB-Cross-240PD DF	240" Cable

2-Packs for Single Fixture Mounting  
36" CC can also be 8", 12", 24"



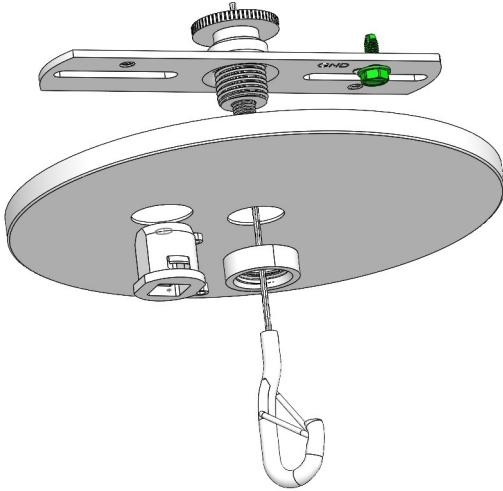
Kits Can Also be Made with 8", 12", 24" & 36"  
XX= Crosscable Length

# Pendant Systems

The Lighting Suspension Specialists www.PendantSystems.com P-215-638-8552 F-215-638-8554

## UFO Kits

### UFO Feed Kits No Cord 1/16" or 3/32" Hook End Cable

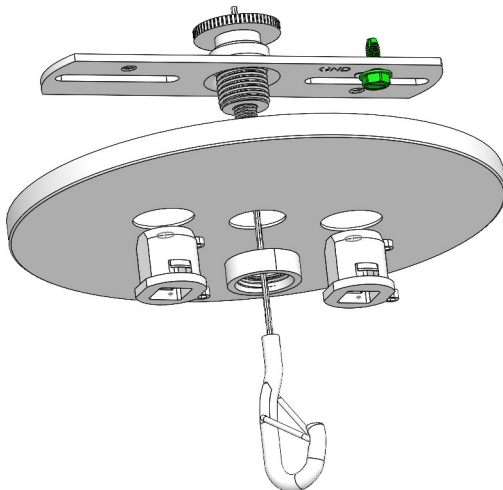


<b>UFO Feed Kit Single Feed 1/16" Hook End Cable Ceiling Crossbar Mounted Gripper Cord Diameter .250"-.370 50 Lb SWL</b>	
CC721-60-16 CG HK	60" Cable
CC721-120-16 CG HK	120" Cable
CC721-180-16 CG HK	180" Cable
CC721-240-16 CG HK	240" Cable
<b>Add Suffix BK for Black Note NEC Max J-Box Weights 50 Lbs Std, 75 Lbs Fan Rated</b>	

<b>UFO Feed Kit Single Feed 3/32" Hook End Cable Ceiling Crossbar Mounted Gripper Cord Diameter .250"-.370 100 Lb SWL</b>	
CC721-60-32 CG HK	60" Cable
CC721-120-32 CG HK	120" Cable
CC721-180-32 CG HK	180" Cable
CC721-240-32 CG HK	240" Cable
<b>Add Suffix BK for Black Note NEC Max J-Box Weights 50 Lbs Std, 75 Lbs Fan Rated</b>	

<b>UFO Feed Kit Single Feed 1/16" Hook End Cable Ceiling Crossbar Mounted Gripper Cord Diameter .250"-.370 50 Lb SWL</b>	
CC721-60-16 CG HK 12W	60" Cable
CC721-120-16 CG HK 12W	120" Cable
CC721-180-16 CG HK 12W	180" Cable
CC721-240-16 CG HK 12W	240" Cable
<b>Add Suffix BK for Black Note NEC Max J-Box Weights 50 Lbs Std, 75 Lbs Fan Rated</b>	

<b>UFO Feed Kit Single Feed 3/32" Hook End Cable Ceiling Crossbar Mounted Gripper Cord Diameter .250"-.370 100 Lb SWL</b>	
CC721-60-32 CG HK 12W	60" Cable
CC721-120-32 CG HK 12W	120" Cable
CC721-180-32 CG HK 12W	180" Cable
CC721-240-32 CG HK 12W	240" Cable
<b>Add Suffix BK for Black Note NEC Max J-Box Weights 50 Lbs Std, 75 Lbs Fan Rated</b>	



### UFO Dual Feed Kits No Cord 1/16" or 3/32" Hook End Cable

Add DF to above Part #'s  
EX: CC721-60-16 DF CG HK

Note we can build kits with Cords as well but seems the Standard UFO Products come with Cords already