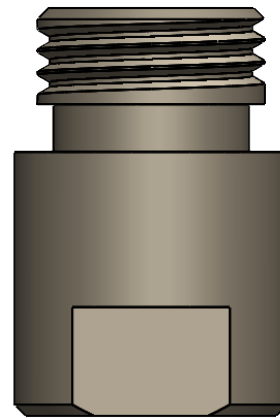
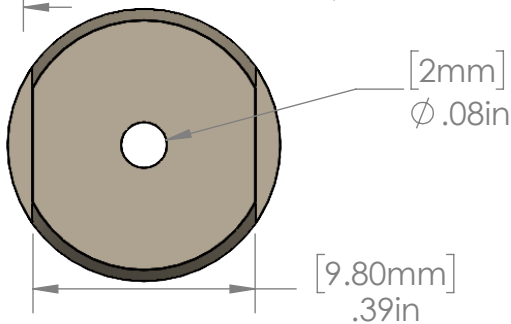
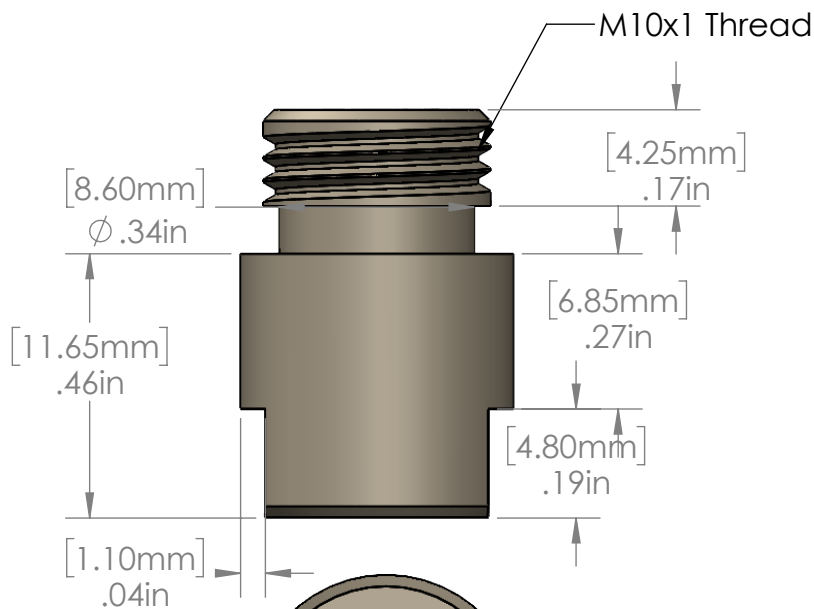
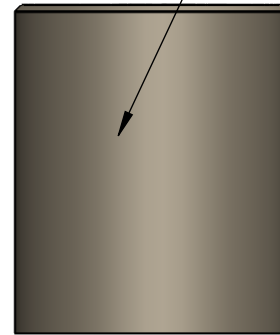
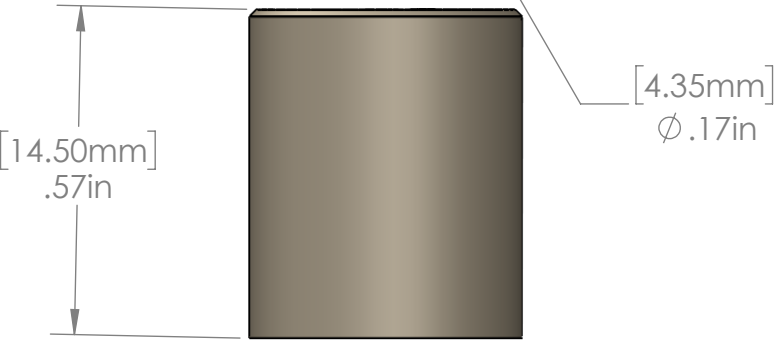


Assembled Height 1.03"  
(26.16mm)



### Small Two Piece Ceiling Standoff for 1/16" Cable

This Document Contains Proprietary Data that is property of Pendant Systems which reserves all rights to it. Unauthorized use without authorization is prohibited.

## Pendant Systems

1670 Winchester Rd.  
Bensalem, PA 19020  
P-215-638-8552  
F-215-638-8554  
[www.PendantSystems.com](http://www.PendantSystems.com)

UNLESS OTHERWISE SPECIFIED DIMENSIONS ARE IN BOTH INCHES & MILLIMETERS UNLESS OTHERWISE NOTED TOLERANCES:

LINEAR: XX= .02" XXX= ±.010" ANGULAR: ± 1 Degree

FINISH:

Nickel Plated

TITLE:

CC-SO Small Cable Standoff

DO NOT SCALE DRAWING

MATERIAL:

Brass

Part #

CC-SO

DEBUR AND BREAK SHARP EDGES

DRAWN DATE:

11/2/21

MCL

SHEET 1 OF 1

REVISION