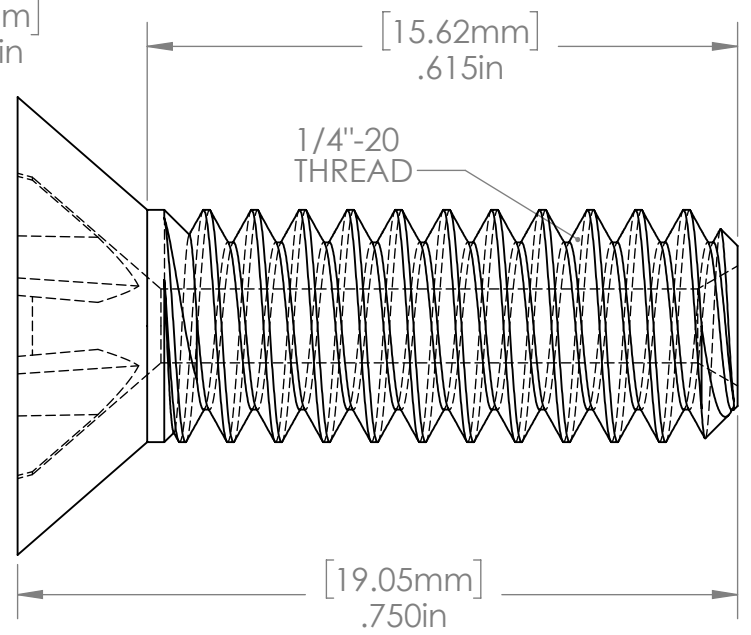
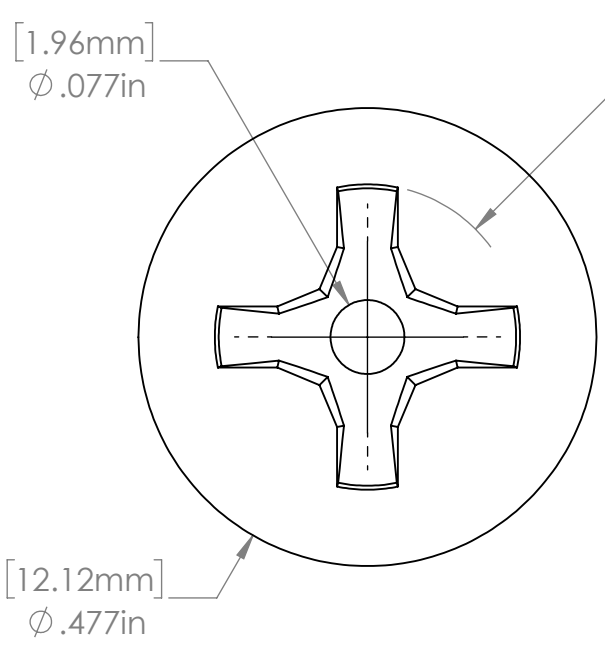
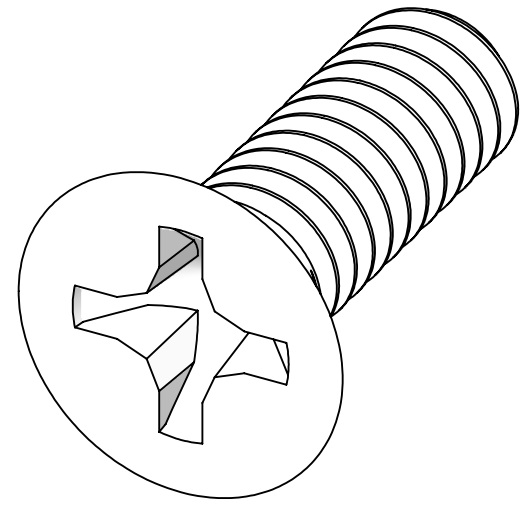
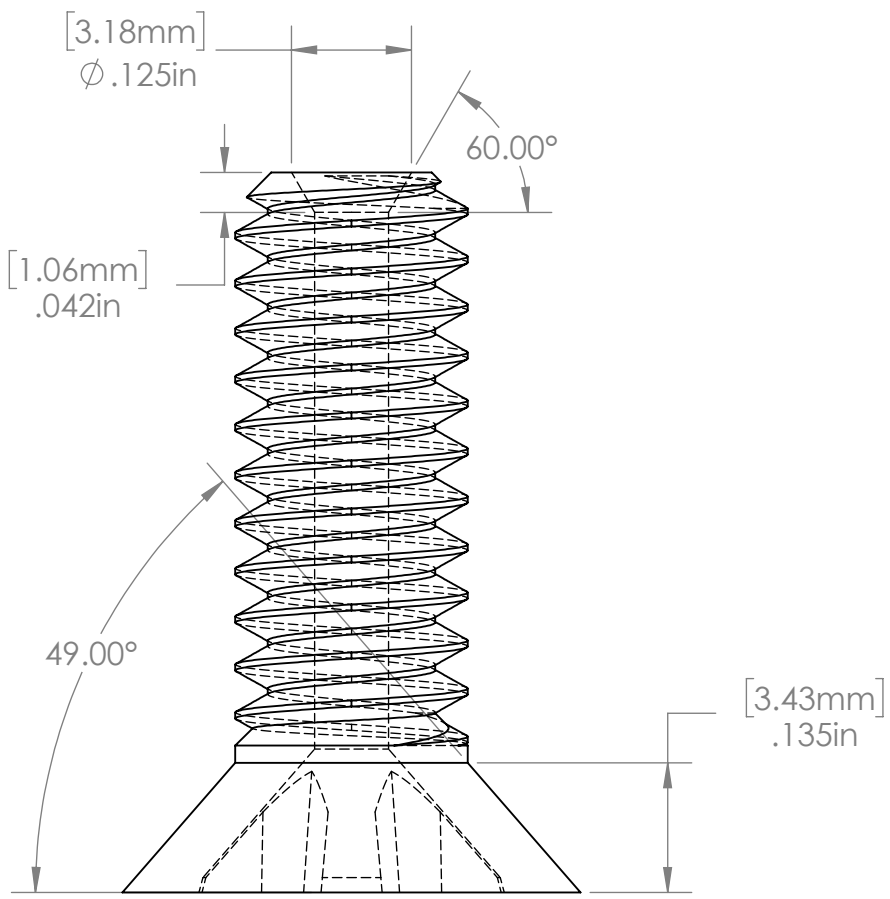


Micro 1/4"-20 Crossbar w/GS

This Document Contains Proprietary Data that is property of Pendant Systems which reserves all rights to it. Unauthorized use without authorization is prohibited.

**Pendant Systems**  
 1670 Winchester Rd.  
 Bensalem, PA 19020  
 P-215-638-8552  
 F-215-638-8554  
 www.PendantSystems.com

UNLESS OTHERWISE SPECIFIED DIMENSIONS ARE IN BOTH INCHES & MILLIMETERS UNLESS OTHERWISE NOTED TOLERANCES: LINEAR: XX= .02" XXX= ±.010" ANGULAR: ± 1 Degree	FINISH:	Part #	358
	DO NOT SCALE DRAWING		
DEBUR AND BREAK SHARP EDGES		Title:	REVISION
DRAWN DATE: 5/15/20	Drawn By: MWR	SCALE: NTS	SHEET 1 OF 2



This Document  
Contains Proprietary  
Data that is property  
of Pendant Systems  
which reserves all  
rights to it.  
Unauthorized use  
without authorization  
is prohibited.

**Pendant Systems**  
1670 Winchester Rd.  
Bensalem, PA 19020  
P-215-638-8552  
F-215-638-8554  
[www.PendantSystems.com](http://www.PendantSystems.com)

UNLESS OTHERWISE SPECIFIED DIMENSIONS ARE IN BOTH INCHES & MILLIMETERS UNLESS OTHERWISE NOTED TOLERANCES:  
LINEAR: XX= .02" XXX= ±.010" ANGULAR: ± 1 Degree

FINISH:

Part #  
**158 Screw TH**

DO NOT SCALE DRAWING  
DEBUR AND BREAK SHARP EDGES

MATERIAL:

Title: **THRU HOLE SCREW**

DRAWN DATE: **5/15/20**

Drawn By: **MWR**

SCALE: NTS

SHEET 2 OF 2

REVISION