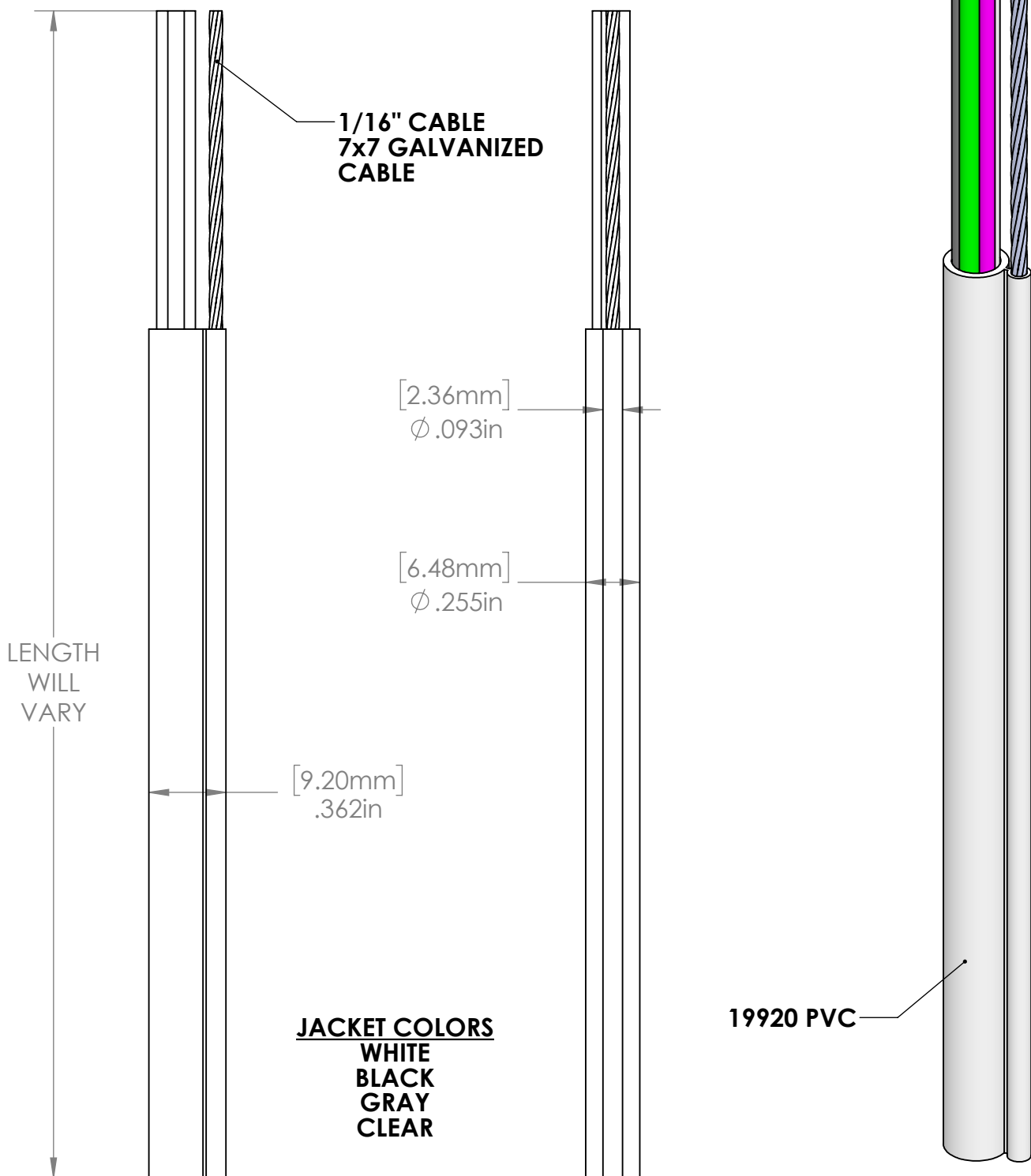
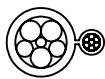


**\*PAPER WRAP OVER CONDUCTORS**



**1/16" CABLE  
7x7 GALVANIZED  
CABLE**

[2.36mm]  
Ø .093in

[6.48mm]  
Ø .255in

[9.20mm]  
.362in

**JACKET COLORS**  
**WHITE**  
**BLACK**  
**GRAY**  
**CLEAR**

**19920 PVC**

This Document  
Contains Proprietary  
Data that is property  
of Pendant Systems  
which reserves all  
rights to it.  
Unauthorized use  
without authorization  
is prohibited.

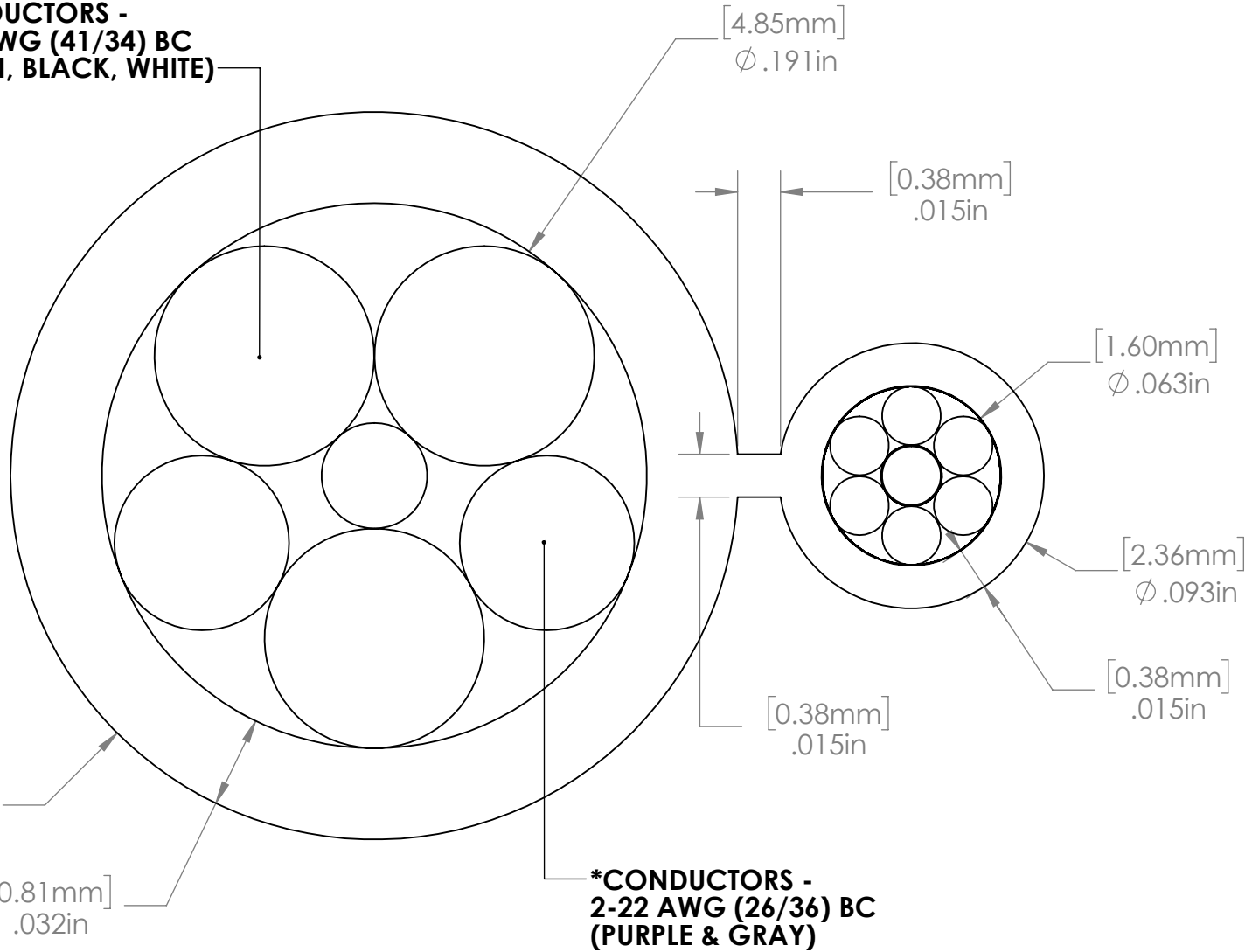
**Pendant Systems**

1670 Winchester Rd.  
Bensalem, PA 19020  
P-215-638-8552  
F-215-638-8554  
[www.PendantSystems.com](http://www.PendantSystems.com)

UNLESS OTHERWISE SPECIFIED DIMENSIONS ARE IN BOTH INCHES & MILLIMETERS UNLESS OTHERWISE NOTED TOLERANCES: LINEAR: XX= .02" XXX= $\pm .010"$ ANGULAR: $\pm 1$ Degree		FINISH:		Part #	
DO NOT SCALE DRAWING		MATERIAL:		LSC 18/3 & 22/2 AWM	
DEBUR AND BREAK SHARP EDGES		Title:		18/3 & 22/2 AWM w/1/16" Cable	
DRAWN DATE: 1/24/19		Drawn By: MWR		SCALE: NTS	
				SHEET 1 OF 2	
				REVISION	

**\*TOP VIEW**

**\*CONDUCTORS -  
3-18 AWG (41/34) BC  
(GREEN, BLACK, WHITE)**



**\*CONDUCTORS -  
2-22 AWG (26/36) BC  
(PURPLE & GRAY)**

[6.48mm]  
Ø .255in

[0.81mm]  
.032in

[4.85mm]  
Ø .191in

[0.38mm]  
.015in

[1.60mm]  
Ø .063in

[2.36mm]  
Ø .093in

[0.38mm]  
.015in

[0.38mm]  
.015in

This Document  
Contains Proprietary  
Data that is property  
of Pendant Systems  
which reserves all  
rights to it.  
Unauthorized use  
without authorization  
is prohibited.

# Pendant Systems

1670 Winchester Rd.  
Bensalem, PA 19020  
P-215-638-8552  
F-215-638-8554  
www.PendantSystems.com

UNLESS OTHERWISE SPECIFIED DIMENSIONS ARE IN BOTH INCHES & MILLIMETERS UNLESS OTHERWISE NOTED TOLERANCES:

LINEAR: XX= .02" XXX=  $\pm .010$ " ANGULAR:  $\pm 1$  Degree

FINISH:

Part #

LSC 18/3 & 22/2 AWM

DO NOT SCALE DRAWING

MATERIAL:

Title:

18/3 & 22/2 AWM w/1/16" Cable

REVISION

DEBUR AND BREAK SHARP EDGES

DRAWN DATE: 1/24/19

Drawn By: MWR

SCALE: NTS

SHEET 2 OF 2