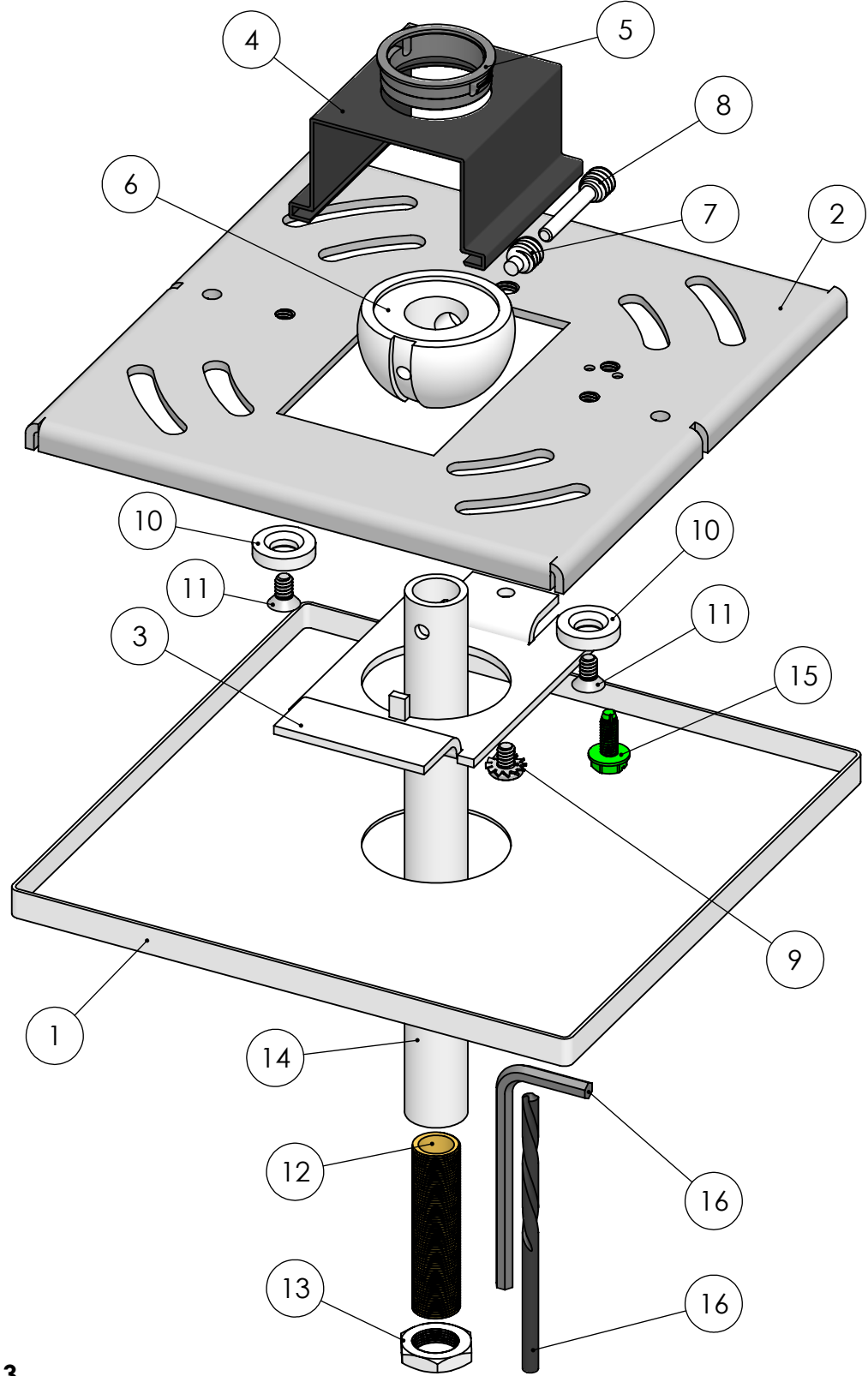


OPTIONS TABLE		
Base Part #	Total Stem Length	Color
SK1/4-ID SQFL[XX]	36	Matte White (WT)
	72*	Matte Black (BK)
	108*	

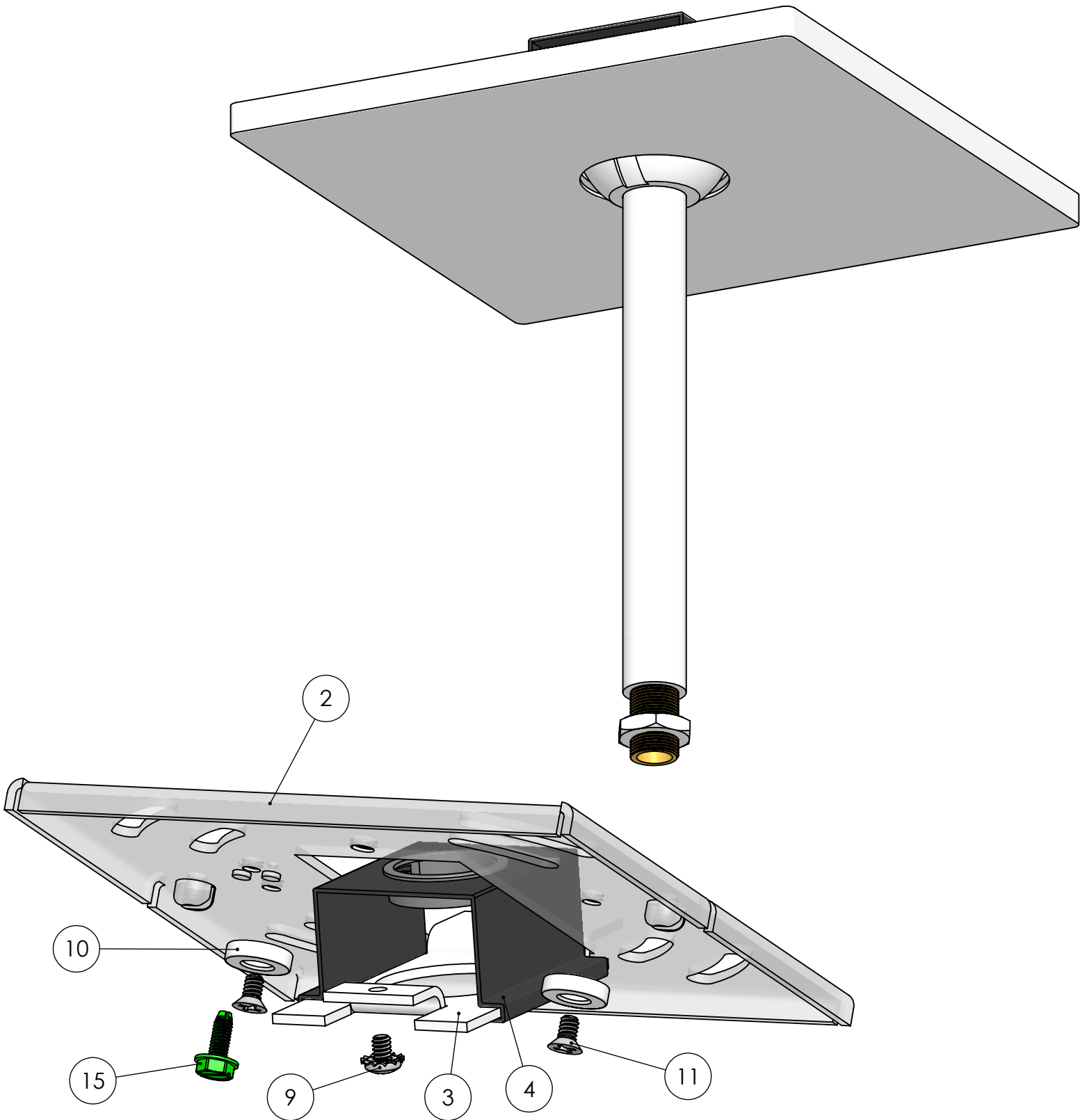
*EX. SK1/4-ID SQFL72WT -
 (1) 36" Stem 1/4" IP I.D.-I.D.
 (2) #60-1.5

*EX. SK1/4-ID SQFL108BK -
 (2) 36" Stem 1/4" IP I.D.-I.D.
 (3) #60-1.5



*Reference Bill of Materials on Page 3

*45° Swivel		This Document Contains Proprietary Data that is property of Pendant Systems which reserves all rights to it. Unauthorized use without authorization is prohibited.		<h1>Pendant Systems</h1> 1670 Winchester Rd. Bensalem, PA 19020 P-215-638-8552 F-215-638-8554 www.PendantSystems.com	
<small>UNLESS OTHERWISE SPECIFIED DIMENSIONS ARE IN BOTH INCHES & MILLIMETERS UNLESS OTHERWISE NOTED TOLERANCES: LINEAR: XX= .02" XXX= ±.010" ANGULAR: ± 1 Degree</small>		FINISH:		TITLE: <h2>SK 1-4-ID SQ FL [XX]</h2>	
DO NOT SCALE DRAWING DEBUR AND BREAK SHARP EDGES		MATERIAL:		Part #	
DRAWN DATE: 6/30/17		Drawn By: MWR		SCALE: NTS SHEET 1 OF 3 REVISION	



This Document
Contains Proprietary
Data that is property
of Pendant Systems
which reserves all
rights to it.
Unauthorized use
without authorization
is prohibited.

Pendant Systems

1670 Winchester Rd.
Bensalem, PA 19020
P-215-638-8552
F-215-638-8554
www.PendantSystems.com

UNLESS OTHERWISE SPECIFIED DIMENSIONS ARE IN BOTH INCHES & MILLIMETERS UNLESS OTHERWISE NOTED TOLERANCES:

LINEAR: XX= .02" XXX= $\pm .010"$ ANGULAR: ± 1 Degree

FINISH:

TITLE:

SK 1-4-ID SQ FL [XX] Assembled

DO NOT SCALE DRAWING

MATERIAL:

Part #

DEBUR AND BREAK SHARP EDGES

REVISION

DRAWN DATE: 6/30/17

Drawn By: MWR

SCALE: NTS

SHEET 2 OF 3

ITEM NO.	PART NUMBER	DESCRIPTION	QTY.
1	276B SQ	5" Canopy w/1.180" CH	1
2	MP Crossbar	Crossbar 14 Gauge Zinc Plated Steel 4.8" L x 4.8" W x .075" Material Thickness. GS inserted	1
3	MP Plate HB	Monopoint Plate for Half Ball for MP Crossbar 2.82" L x 1.650" W x .075" Material Thickness Half Ball Opening for #35,#34 and #147 Tapped 8/32" Hole Zinc Plated Steel	1
4	MP Swivel Clip	Mono Point Swivel Retaining Clip for MP-Plate HB Spring Steel	1
5	#237	.875" Hole Bushing .945" W x .750" I.D. x .250" H .063" Max Panel Thickness	1
6	#35ADJ	1/4" IP Slip Half Ball Bright Casting	1
7	#ADJ-SS	1/4" -20 Short (.350" Long) Socket Set Screw w/.125" DIA Point & 1/8" Allen Hex Head Pin for ADJ Series Half Balls	1
8	#SSS	1/4" -20 Socket Set Screw w/.125 DIA & 1/8" Allen Hex Head Pin for ADJ Series Half Balls	1
9	183	8/32" x 1/4" Philip Head Ext Sems Steel Zinc Screw	1
10	Magnet	#6 & #8 Magnet	2
11	271	6/32" x 1/4" L Flat Head Philips Machine Screw	2
12	60-1.5	60-1.5	[XX]
13	#133	1/8" IP x 9/16" O.D. x 1/8" Thick Zinc Plated	1
14	36" Stem 1-4IP I.D PH	36" Stem 1/4" IP w-1/8" IP ID Thread on Bottom. Pin Hole on Top	1
15	#32	8/32 Green Ground Screw	1
16	ADJ Tool Kit	Drill Bit 1/8" & Allen Wrench 1/8"	1

This Document Contains Proprietary Data that is property of Pendant Systems which reserves all rights to it. Unauthorized use without authorization is prohibited.

Pendant Systems

1670 Winchester Rd.
Bensalem, PA 19020
P-215-638-8552
F-215-638-8554
www.PendantSystems.com

UNLESS OTHERWISE SPECIFIED DIMENSIONS ARE IN BOTH INCHES & MILLIMETERS UNLESS OTHERWISE NOTED TOLERANCES:

LINEAR: XX= .02" XXX= \pm .010" ANGULAR: \pm 1 Degree

FINISH:

TITLE:

Bill of Materials

DO NOT SCALE DRAWING

MATERIAL:

Part #

DEBUR AND BREAK SHARP EDGES

REVISION

DRAWN DATE: 6/30/17

Drawn By: MWR

SCALE: NTS

SHEET 3 OF 3