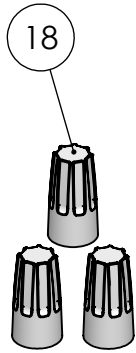
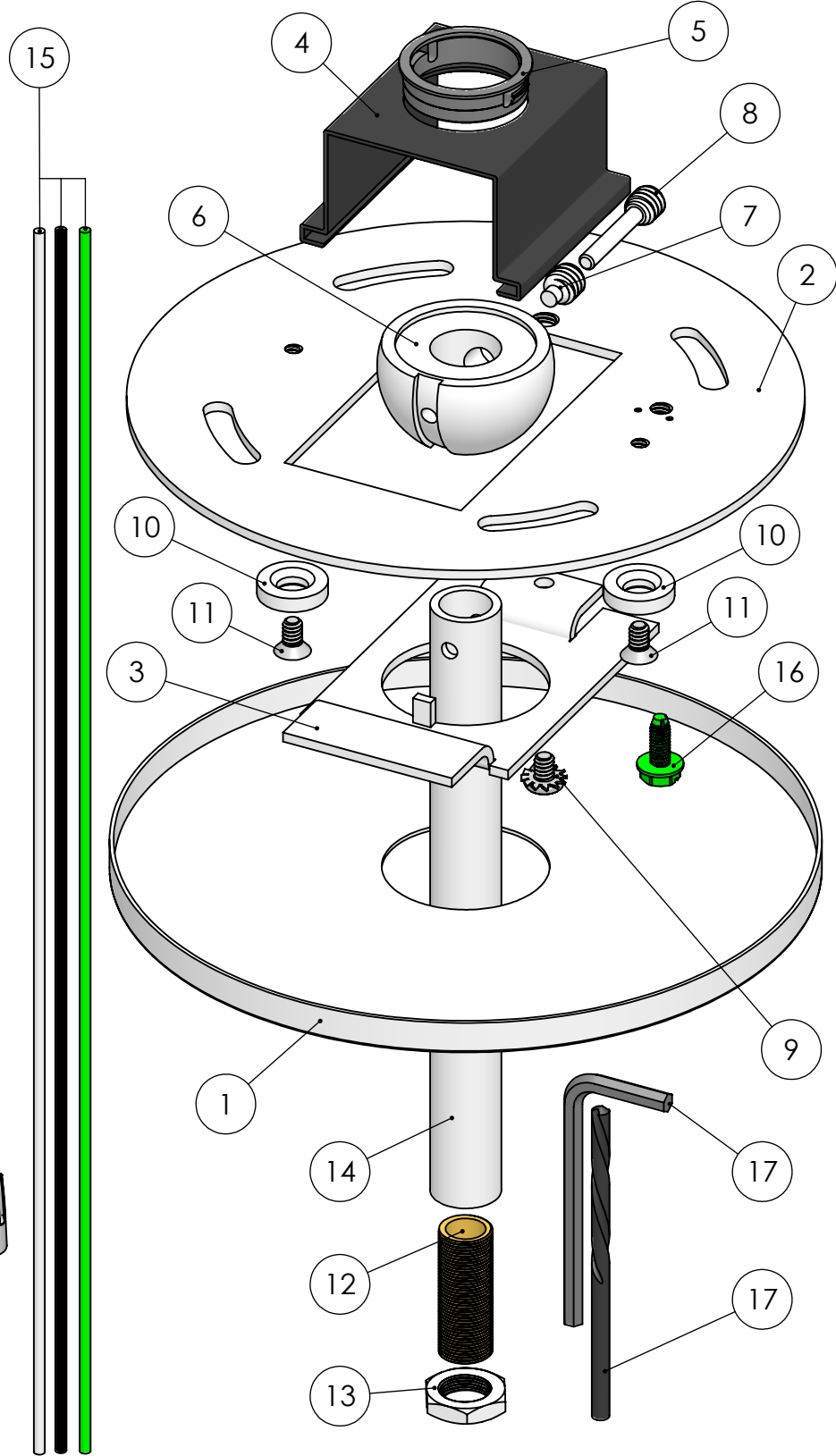


# OPTIONS TABLE

| Base Part #         | Total Stem Length | Color            |
|---------------------|-------------------|------------------|
| SK1/4-ID RDFL[XX]3W | 36                | Matte White (WT) |
|                     | 72*               | Matte Black (BK) |
|                     | 108*              |                  |

\*EX. **SK1/4-ID RDFL723WWT** -  
 (1) 36" Stem 1/4" IP I.D.-I.D.  
 (2) #60-1.5

\*EX. **SK1/4-ID RDFL1083WBK** -  
 (2) 36" Stem 1/4" IP I.D.-I.D.  
 (3) #60-1.5



\*Reference Bill of Materials on Page 3

\*45° Swivel

This Document Contains Proprietary Data that is property of Pendant Systems which reserves all rights to it. Unauthorized use without authorization is prohibited.

## Pendant Systems

1670 Winchester Rd.  
 Bensalem, PA 19020  
 P-215-638-8552  
 F-215-638-8554  
[www.PendantSystems.com](http://www.PendantSystems.com)

UNLESS OTHERWISE SPECIFIED DIMENSIONS ARE IN BOTH INCHES & MILLIMETERS UNLESS OTHERWISE NOTED TOLERANCES:  
 LINEAR: XX= .02" XXX=  $\pm .010"$  ANGULAR:  $\pm 1$  Degree

TITLE: SK 1-4-ID RD FL [XX] 3W

DO NOT SCALE DRAWING  
 DEBUR AND BREAK SHARP EDGES

MATERIAL:

Part #

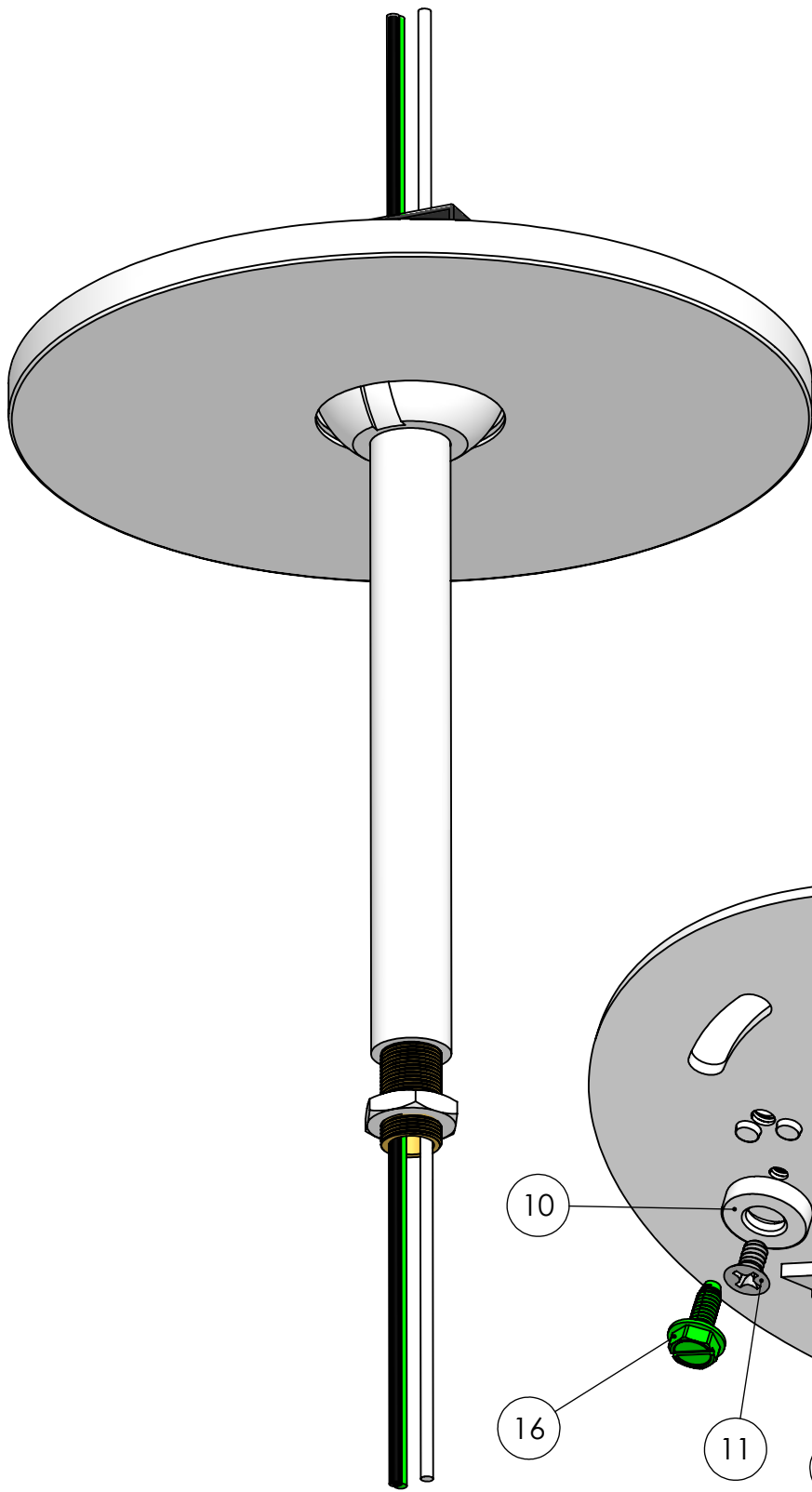
REVISION

DRAWN DATE: 6/15/17

Drawn By: MWR

SCALE: NTS

SHEET 1 OF 3



This Document  
Contains Proprietary  
Data that is property  
of Pendant Systems  
which reserves all  
rights to it.  
Unauthorized use  
without authorization  
is prohibited.

# Pendant Systems

1670 Winchester Rd.  
Bensalem, PA 19020  
P-215-638-8552  
F-215-638-8554  
[www.PendantSystems.com](http://www.PendantSystems.com)

UNLESS OTHERWISE SPECIFIED DIMENSIONS ARE IN BOTH INCHES & MILLIMETERS UNLESS OTHERWISE NOTED TOLERANCES:

LINEAR: XX= .02" XXX=  $\pm .010"$  ANGULAR:  $\pm 1$  Degree

FINISH:

TITLE:

SK 1-4-ID RD FL [XX] 3W Assembled

DO NOT SCALE DRAWING

MATERIAL:

Part #

DEBUR AND BREAK SHARP EDGES

REVISION

DRAWN DATE: 6/15/17

Drawn By: MWR

SCALE: NTS

SHEET 2 OF 3

| ITEM NO. | PART NUMBER                  | DESCRIPTION  | QTY. |
|----------|------------------------------|--|------|
| 1        | 276                          | 5" Round w/ 1.18" CH   | 1    |
| 2        | MP Crossbar Round            | 4.75" Round Crossbar .080" Material Thickness Zinc Plated Steel  | 1    |
| 3        | MP Plate HB                  | Monopoint Plate for Half Ball for MP Crossbar<br>2.82" L x 1.650" W x .075" Material Thickness<br>Half Ball Opening for #35,#34 and #147<br>Tapped 8/32" Hole<br>Zinc Plated Steel | 1    |
| 4        | MP Swivel Clip               | Mono Point Swivel Retaining Clip for MP-Plate HB Spring Steel  | 1    |
| 5        | #237                         | .875" Hole Bushing .945" W x .750" I.D. x .250" H .063" Max Panel Thickness  | 1    |
| 6        | #35ADJ                       | 1/4" IP Slip Half Ball Bright Casting  | 1    |
| 7        | #ADJ-SS                      | 1/4" -20 Short (.350" Long) Socket Set Screw w/.125" DIA Point & 1/8" Allen Hex Head Pin for ADJ Series Half Balls   | 1    |
| 8        | #SSS                         | 1/4" -20 Socket Set Screw w/.125 DIA & 1/8" Allen Hex Head Pin for ADJ Series Half Balls   | 1    |
| 9        | 183                          | 8/32" x 1/4" Philip Head Ext Sems Steel Zinc Screw   | 1    |
| 10       | Magnet                       | #6 & #8 Magnet   | 2    |
| 11       | 271                          | 6/32" x 1/4" L Flat Head Philips Machine Screw   | 2    |
| 12       | #60-1.5                      | 1/8" IP Nipple 1.5" L  | [XX] |
| 13       | #133                         | 1/8" IP x 9/16" O.D. x 1/8" Thick Zinc Plated  | 1    |
| 14       | [XX] Stem 1-4IP I.D PH       | 36" Stem 1/4" IP w- 1/8" IP ID Thread on Bottom. Pin Hole on Top   | 1    |
| 15       | 18 AWG Single Conductor Wire | White, Black & Green. 42" L Coiled into Kit  | 3    |
| 16       | #32                          | 8/32 Green Ground Screw  | 1    |
| 17       | ADJ Tool Kit                 | Drill Bit 1/8" & Allen Wrench 1/8"   | 1    |
| 18       | 72B Wire Nut                 | Ideal 72B  | 3    |

This Document Contains Proprietary Data that is property of Pendant Systems which reserves all rights to it. Unauthorized use without authorization is prohibited.

## Pendant Systems

1670 Winchester Rd.  
Bensalem, PA 19020  
P-215-638-8552  
F-215-638-8554  
[www.PendantSystems.com](http://www.PendantSystems.com)

UNLESS OTHERWISE SPECIFIED DIMENSIONS ARE IN BOTH INCHES & MILLIMETERS UNLESS OTHERWISE NOTED TOLERANCES:

LINEAR: XX= .02" XXX=  $\pm$ .010" ANGULAR:  $\pm$  1 Degree

FINISH:

TITLE:

Bill of Materials

DO NOT SCALE DRAWING

MATERIAL:

Part #

DEBUR AND BREAK SHARP EDGES

REVISION

DRAWN DATE: 6/15/17

Drawn By: MWR

SCALE: NTS

SHEET 3 OF 3