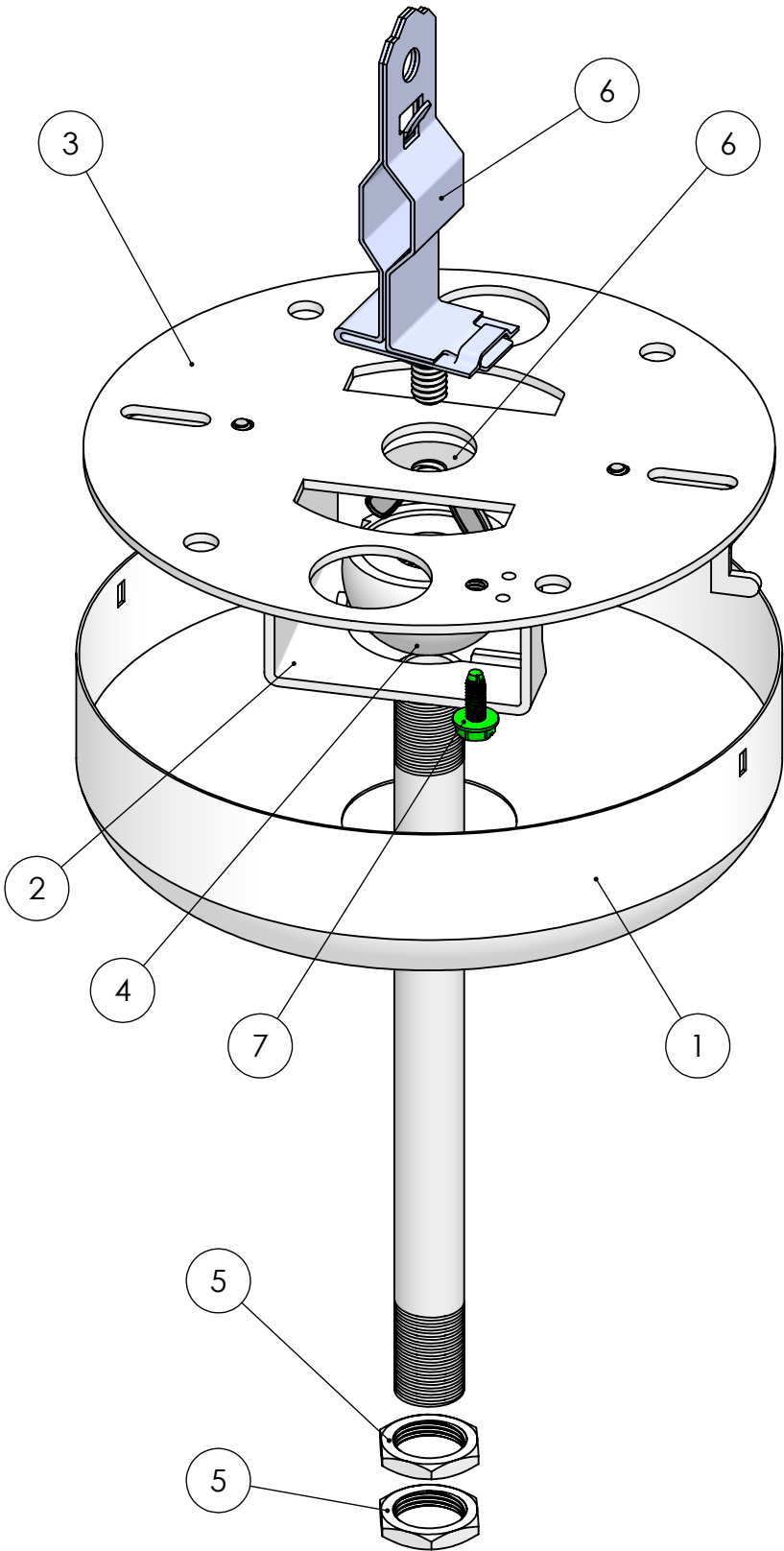


*FLASH PLATE ATTACHED TO #33 CROSSBAR



| ITEM NO. | PART NUMBER | DESCRIPTION | QTY. |
|----------|-------------|--|------|
| 1 | #43 | 5" Diameter x 1 1/2" H White 1 1/4" Center Hole with side slots for #33 | 1 |
| 2 | #33 | Swivel Crossbar for #34, #35, #147, & #272 ADJ Half Balls. 2" W x 4 7/8" L x 1 3/8" H x 14 Gauge | 1 |
| 3 | Flash Plate | 4.94" DIA x .076" Zinc Plated .675" DIA Center Knockout & two Oval Shaped Knockouts for Wiring into J-Box 2- 1/2" IP (.875") side hole Knockouts 4- 1/4" IP Mounting Holes & 2- 8/32 tapped holes for Mounting Crossbar to plate Ground & 2-8/32" mounting screws included | 1 |
| 4 | #35 | 1/4" IP Tap Half Ball | 1 |
| 5 | #25 | 1/4" IP x 11/16 O.D. x 1/8" Thick Zinc Plated | 2 |
| 6 | #110 | 1/4"-20 Stud 3/8" L Support Clip for T-Bar W/ Winged Locknut Wraps around Acoustical T-Bar Grid | 1 |
| 7 | #32 | 8/32 Green Ground Screw | 1 |

**STEM LENGTH WILL VARY. ORDER SEPARATELY
C445 FP DC USED WITH STEM 1/4" IP
1/4" IPS .500"-.510" O.D. 18 T.P.I.**

*45° Swivel

This Document Contains Proprietary Data that is property of Pendant Systems which reserves all rights to it. Unauthorized use without authorization is prohibited.

Pendant Systems

1670 Winchester Rd.
Bensalem, PA 19020
P-215-638-8552
F-215-638-8554
www.PendantSystems.com

UNLESS OTHERWISE SPECIFIED DIMENSIONS ARE IN BOTH INCHES & MILLIMETERS UNLESS OTHERWISE NOTED TOLERANCES:

LINEAR: XX= .02" XXX= +.010" ANGULAR: +.1 Degree

FINISH:

TITLE:

C445 FP DC

DO NOT SCALE DRAWING

MATERIAL:

Part #

DEBUR AND BREAK SHARP EDGES

REVISION

DRAWN DATE: 6/15/16

Drawn By: MWR

SCALE: NTS

SHEET 1 OF 1