

**\*Reference Bill Of Materials on Page 4**

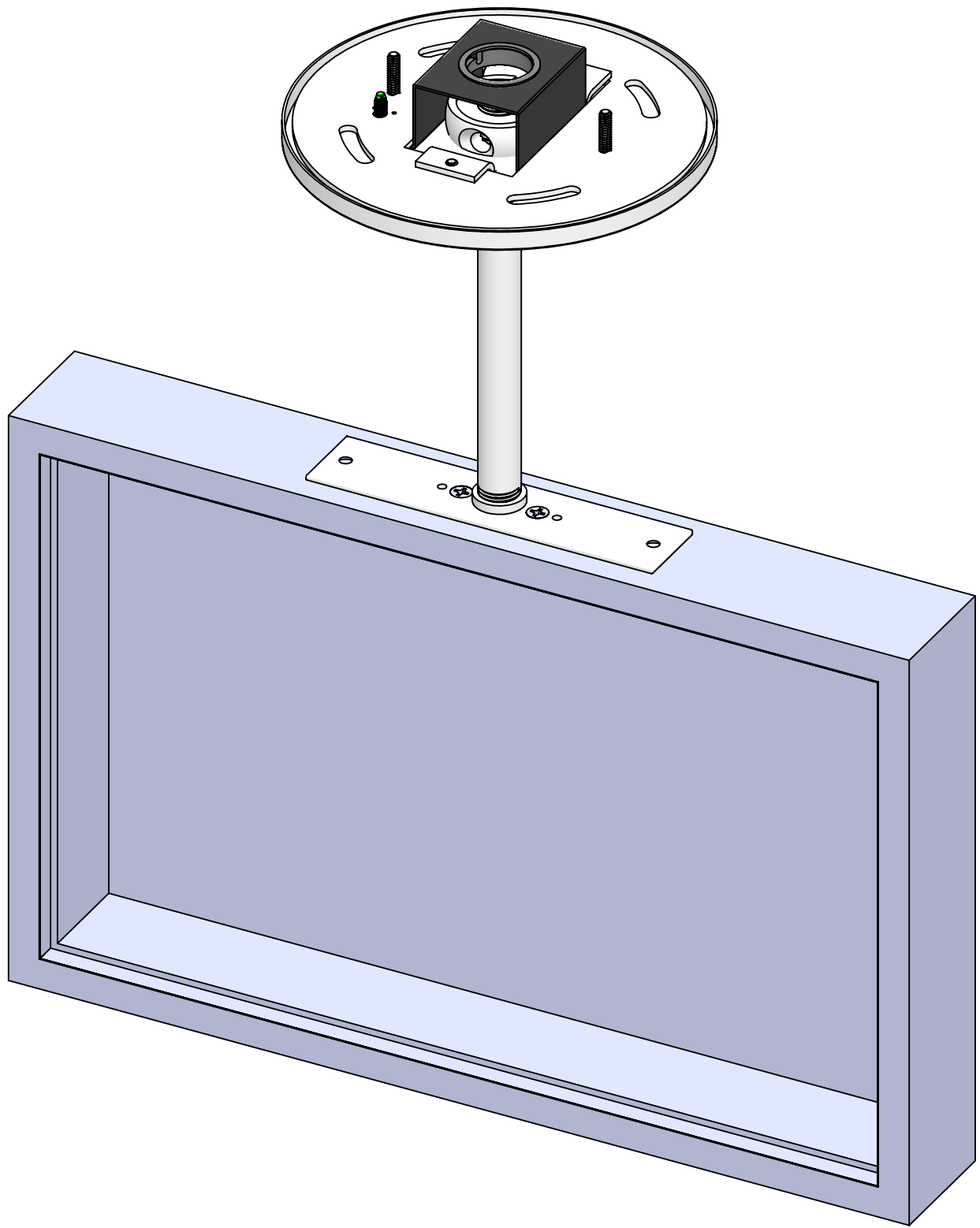
**STEM LENGTH WILL VARY. ORDER SEPARATELY  
 MP SW1/4 EX RD USED WITH STEM 1/4" IP  
 1/4" IPS .500"-.510" O.D. 18 T.P.I.  
 Add Suffix WHT for White or Bk for Black**

**\*45° SWIVEL**

This Document Contains Proprietary Data that is property of Pendant Systems which reserves all rights to it. Unauthorized use without authorization is prohibited.

**Pendant Systems**  
 1670 Winchester Rd.  
 Bensalem, PA 19020  
 P-215-638-8552  
 F-215-638-8554  
 www.PendantSystems.com

|  |                      |            |                                 |  |
|--|----------------------|------------|---------------------------------|--|
| UNLESS OTHERWISE SPECIFIED DIMENSIONS ARE IN BOTH INCHES & MILLIMETERS UNLESS OTHERWISE NOTED TOLERANCES:<br>LINEAR: XX= .02" XXX= $\pm$ .010" ANGULAR: $\pm$ 1 Degree |                      | FINISH:    | TITLE:<br><b>MP-SW1/4 EX RD</b> |  |
| DO NOT SCALE DRAWING   | MATERIAL:            | Part #     | REVISION                        |  |
| DEBUR AND BREAK SHARP EDGES  |                      |            |                                 |  |
| DRAWN DATE: <b>9/26/16</b>   | Drawn By: <b>MWR</b> | SCALE: NTS | SHEET 1 OF 4                    |  |



This Document  
Contains Proprietary  
Data that is property  
of Pendant Systems  
which reserves all  
rights to it.  
Unauthorized use  
without authorization  
is prohibited.

# Pendant Systems

1670 Winchester Rd.  
Bensalem, PA 19020  
P-215-638-8552  
F-215-638-8554  
[www.PendantSystems.com](http://www.PendantSystems.com)

UNLESS OTHERWISE SPECIFIED DIMENSIONS ARE IN BOTH INCHES & MILLIMETERS UNLESS OTHERWISE NOTED TOLERANCES:

LINEAR: XX= .02" XXX=  $\pm$ .010" ANGULAR:  $\pm$  1 Degree

FINISH:

TITLE:

MP-SW1/4 EX RD Assembled

DO NOT SCALE DRAWING

MATERIAL:

Part #

DEBUR AND BREAK SHARP EDGES

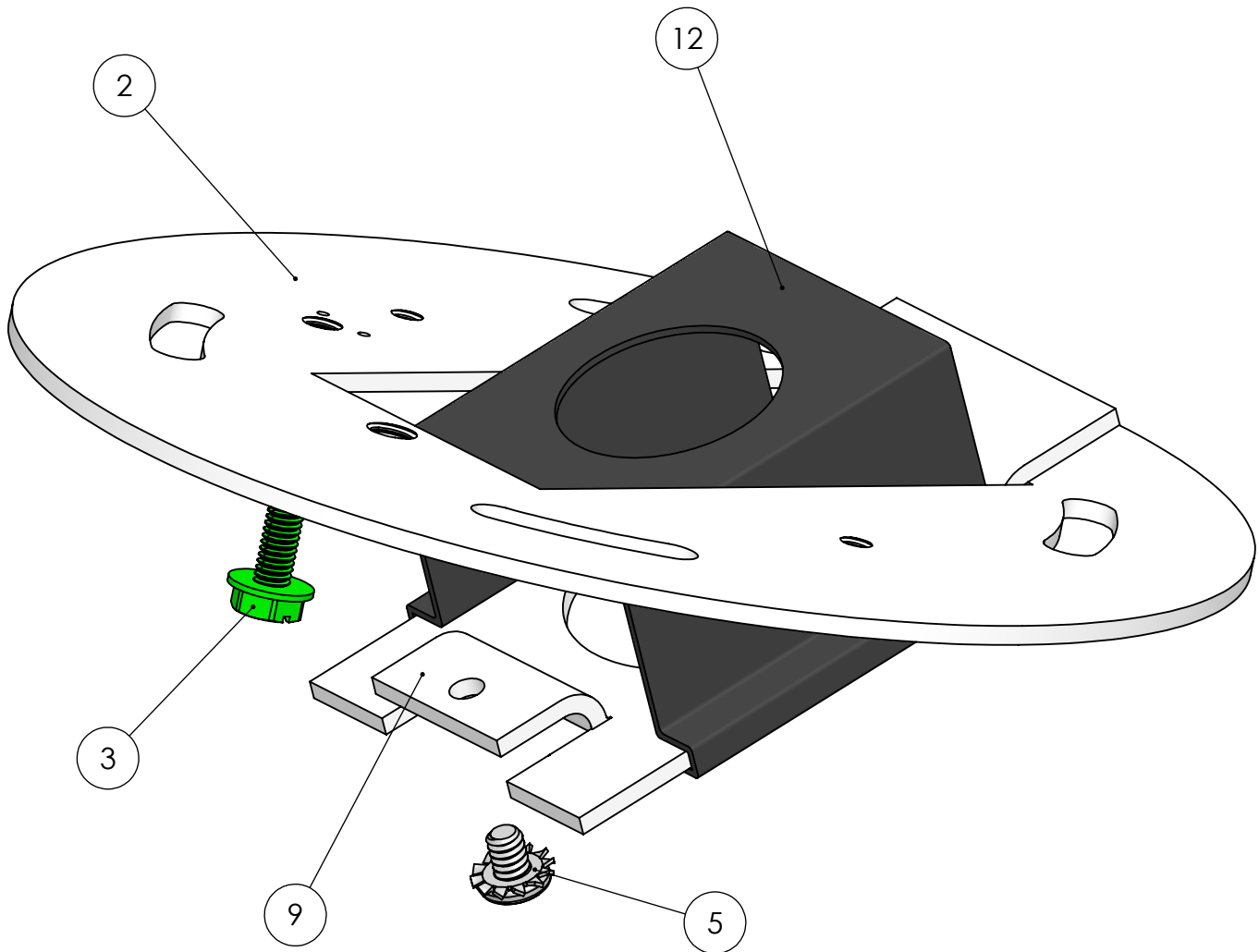
REVISION

DRAWN DATE: 9/26/16

Drawn By: MWR

SCALE: NTS

SHEET 2 OF 4



This Document  
Contains Proprietary  
Data that is property  
of Pendant Systems  
which reserves all  
rights to it.  
Unauthorized use  
without authorization  
is prohibited.

# Pendant Systems

1670 Winchester Rd.  
Bensalem, PA 19020  
P-215-638-8552  
F-215-638-8554  
[www.PendantSystems.com](http://www.PendantSystems.com)

UNLESS OTHERWISE SPECIFIED DIMENSIONS ARE IN BOTH INCHES & MILLIMETERS UNLESS OTHERWISE NOTED TOLERANCES:

LINEAR: XX= .02" XXX=  $\pm .010"$  ANGULAR:  $\pm 1$  Degree

FINISH:

TITLE:

Monopoint Swivel Instruction

DO NOT SCALE DRAWING

MATERIAL:

Part #

DEBUR AND BREAK SHARP EDGES

REVISION

DRAWN DATE: 9/26/16

Drawn By: MWR

SCALE: NTS

SHEET 3 OF 4

| ITEM NO. | PART NUMBER         | DESCRIPTION   | QTY. |
|----------|---------------------|---|------|
| 1        | #243B RM            | 5" Round  | 1    |
| 2        | MP Crossbar Round   | 4.75" Round Crossbar .080" Material Thickness Zinc Plated Steel   | 1    |
| 3        | #32                 | 8/32 Green Ground Screw   | 1    |
| 4        | MP Screws           | 6/32" x 3/4" Long Zinc Plated Flat Countersunk Head Machine Screw. Available with White, Black or Zinc Finished Heads   | 2    |
| 5        | 183                 | 8/32" x 1/4" Philip Head Ext Sems Steel Zinc Screw  | 1    |
| 6        | Exit Base           | Exit Bracket Base 6/32" Slip & Tapped Holes. 2" x .875" Zinc Plated   | 1    |
| 7        | Exit Bracket 1-4 IP | Exit Bracket with 1/4" IP tapped center hole & 6/32" tapped holes. 4.5" x .875" (Available in white, nickel and black)  | 1    |
| 8        | Exit Bracket Screws | 6/32" Screws  | 2    |
| 9        | MP Plate HB         | Monopoint Plate for Half Ball for MP Crossbar 2.82" L x 1.650" W x .075" Material Thickness Half Ball Opening for #35, #34 and #147 Tapped 8/32" Hole Zinc Plated Steel | 1    |
| 10       | MP Swivel Clip      | Mono Point Swivel Retaining Clip for MP-Plate HB Spring Steel   | 1    |
| 11       | #35                 | 1/4" IP Tap Half Ball   | 1    |
| 12       | #237                | .875" Hole Bushing .945" W x .750" I.D. x .250" H .063" Max Panel Thickness   | 1    |

This Document Contains Proprietary Data that is property of Pendant Systems which reserves all rights to it. Unauthorized use without authorization is prohibited.

## Pendant Systems

1670 Winchester Rd.  
 Bensalem, PA 19020  
 P-215-638-8552  
 F-215-638-8554  
 www.PendantSystems.com

UNLESS OTHERWISE SPECIFIED DIMENSIONS ARE IN BOTH INCHES & MILLIMETERS UNLESS OTHERWISE NOTED TOLERANCES:

LINEAR: XX= .02" XXX=  $\pm$ .010" ANGULAR:  $\pm$  1 Degree

FINISH:

TITLE:

Bill of Materials

DO NOT SCALE DRAWING

MATERIAL:

Part #

DEBUR AND BREAK SHARP EDGES

REVISION

DRAWN DATE: 9/26/16

Drawn By: MWR

SCALE: NTS

SHEET 4 OF 4