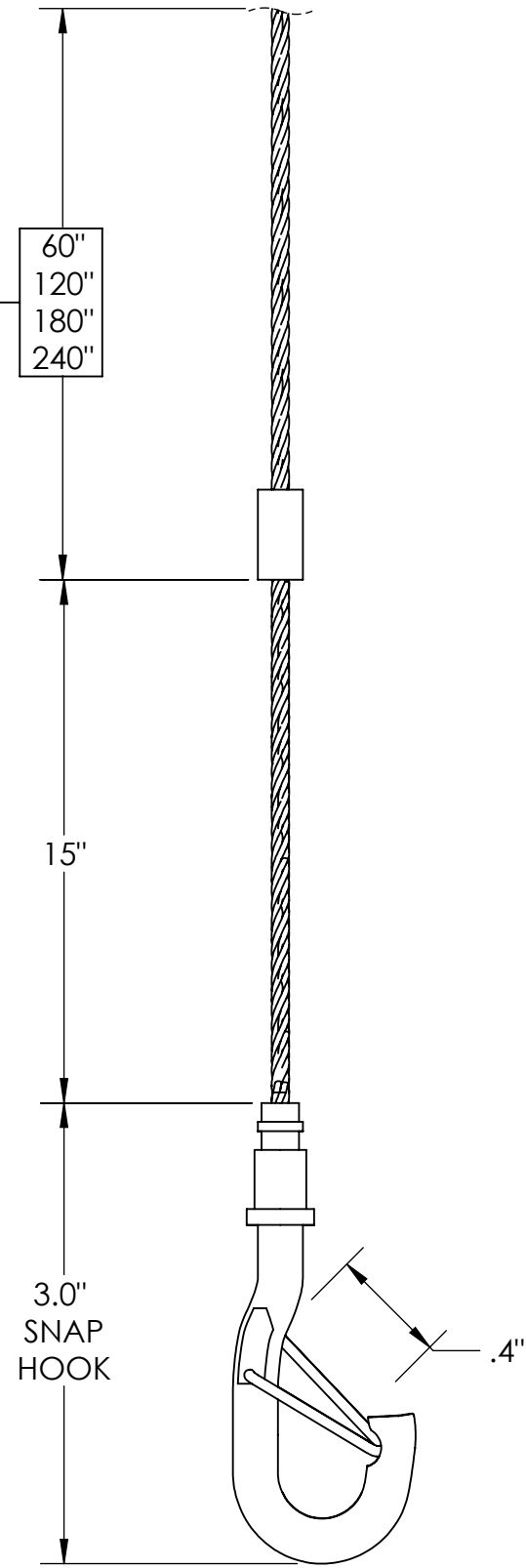


HK-LG-XXX-18Y 3/32



Maximum Load Rating Per Hanger - 120lbs

2-Pack
Add Suffix "S" for Single Kit

This Document Contains Proprietary Data that is property of Pendant Systems which reserves all rights to it. Unauthorized use without authorization is prohibited.

Pendant Systems
1670 Winchester Rd.
Bensalem, PA 19020
P-215-638-8552
F-215-638-8554
www.PendantSystems.com

UNLESS OTHERWISE SPECIFIED DIMENSIONS ARE IN BOTH INCHES & MILLIMETERS UNLESS OTHERWISE NOTED TOLERANCES:
LINEAR: XX= .02" XXX= $\pm .010"$ ANGULAR: ± 1 Degree

FINISH:

Part #
HK-LG-XXX-18Y 3-32

DO NOT SCALE DRAWING
DEBUR AND BREAK SHARP EDGES

MATERIAL:

Title:

DRAWN DATE: 5/8/18

Drawn By: MWR

SCALE: NTS

SHEET 1 OF 1

REVISION