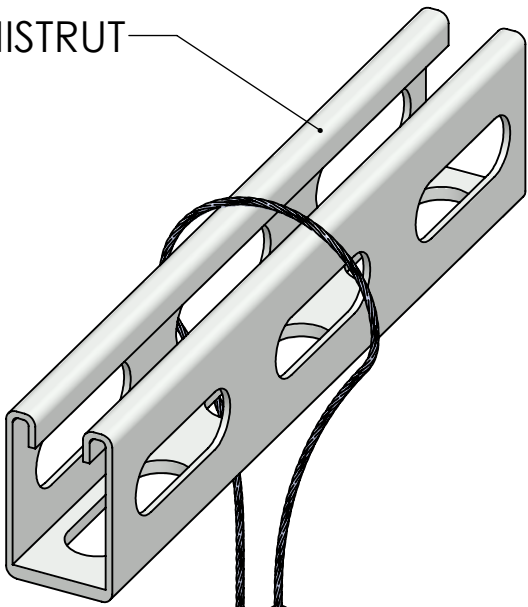
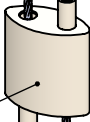


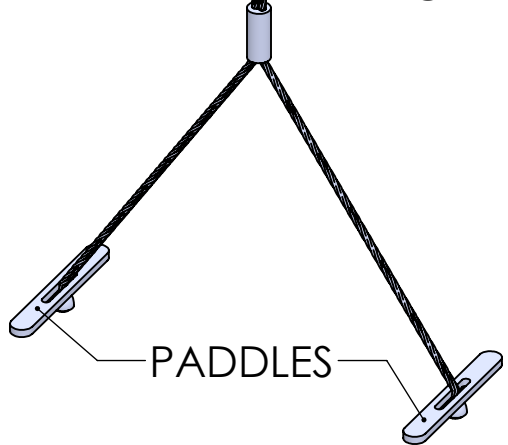
UNISTRUT



LG-16



1/16" GALVANIZED CABLE (TYP.)



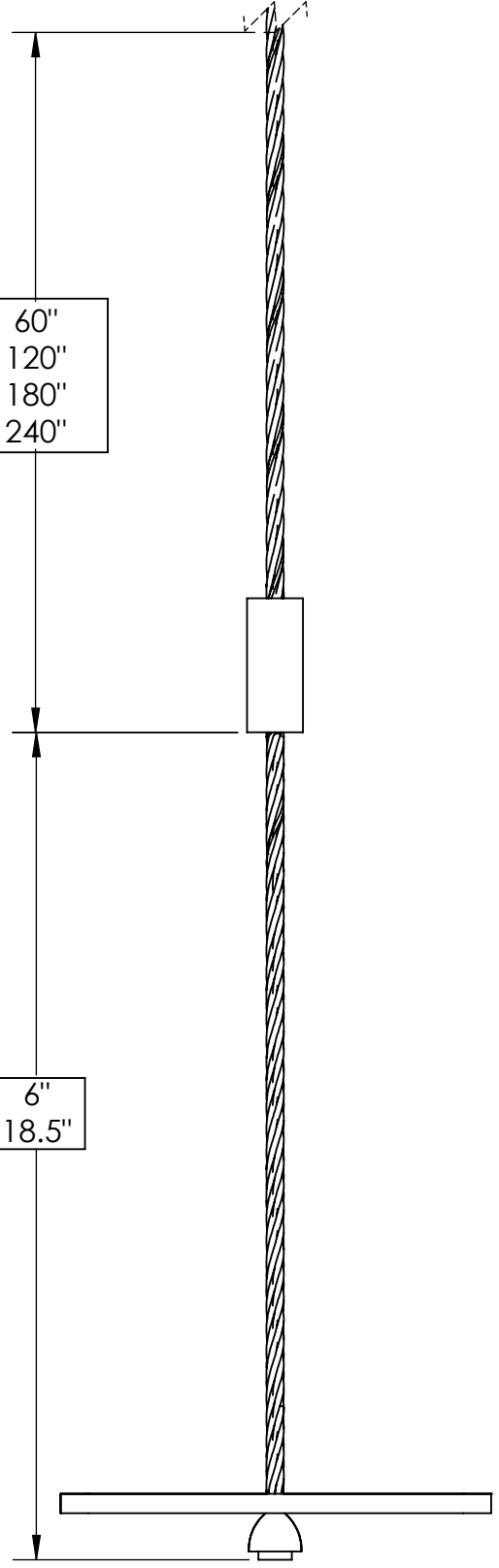
PADDLES

(2 Pack)

60"  
120"  
180"  
240"

HB-LG-XXX-XXY-PAD

6"  
18.5"



Maximum Load Rating Per Hanger  
1/16" Cable - 80lbs  
2-Pack

\*See Page 2 For Paddle Detail

This Document  
Contains Proprietary  
Data that is property  
of Pendant Systems  
which reserves all  
rights to it.  
Unauthorized use  
without authorization  
is prohibited.

# Pendant Systems

1670 Winchester Rd.  
Bensalem, PA 19020  
P-215-638-8552  
F-215-638-8554  
www.PendantSystems.com

UNLESS OTHERWISE SPECIFIED DIMENSIONS ARE IN BOTH INCHES & MILLIMETERS UNLESS OTHERWISE NOTED TOLERANCES:  
LINEAR: XX= .02" XXX=  $\pm$ .010" ANGULAR:  $\pm$  1 Degree

FINISH:

Part #  
HB-LG-XXX-XXY-PAD

DO NOT SCALE DRAWING  
DEBUR AND BREAK SHARP EDGES

MATERIAL:

Title:

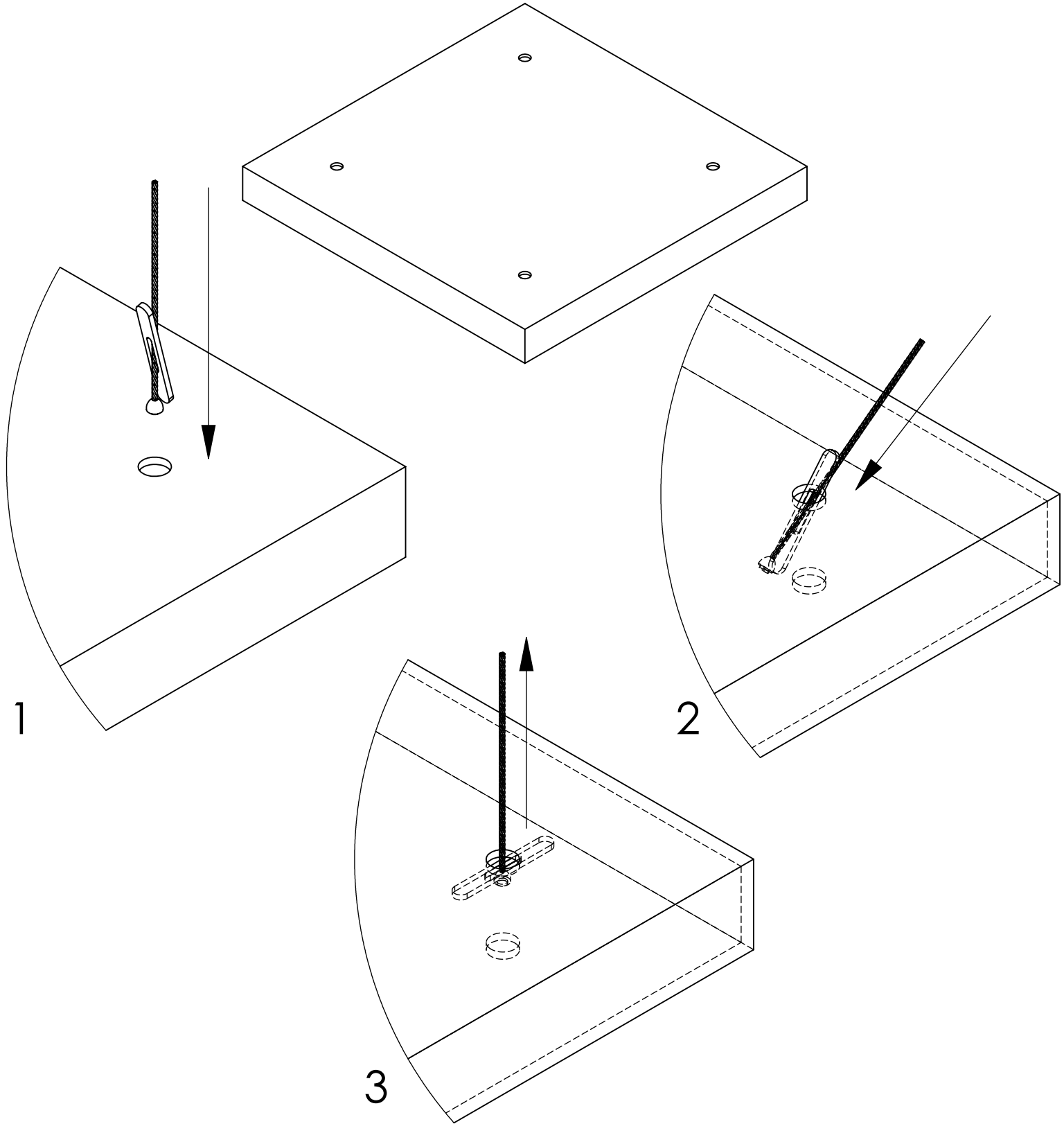
DRAWN DATE: 5/22/18

Drawn By: MWR

SCALE: NTS

SHEET 1 OF 2

REVISION



**\*FOR 1/4" - 3/8" HOLES**

This Document  
Contains Proprietary  
Data that is property  
of Pendant Systems  
which reserves all  
rights to it.  
Unauthorized use  
without authorization  
is prohibited.

**Pendant Systems**

1670 Winchester Rd.  
Bensalem, PA 19020  
P-215-638-8552  
F-215-638-8554  
www.PendantSystems.com

UNLESS OTHERWISE SPECIFIED DIMENSIONS ARE IN INCHES & MILLIMETERS UNLESS OTHERWISE NOTED TOLERANCES:

LINEAR: XX= .02" XXX=  $\pm .010$ " ANGULAR:  $\pm 1$  Degree

FINISH:

TITLE:

Paddle Detail

DO NOT SCALE DRAWING

MATERIAL:

Part #

DEBUR AND BREAK SHARP EDGES

REVISION

DRAWN DATE: 5/22/18

Drawn By: MWR

SCALE: NTS

SHEET 2 OF 2