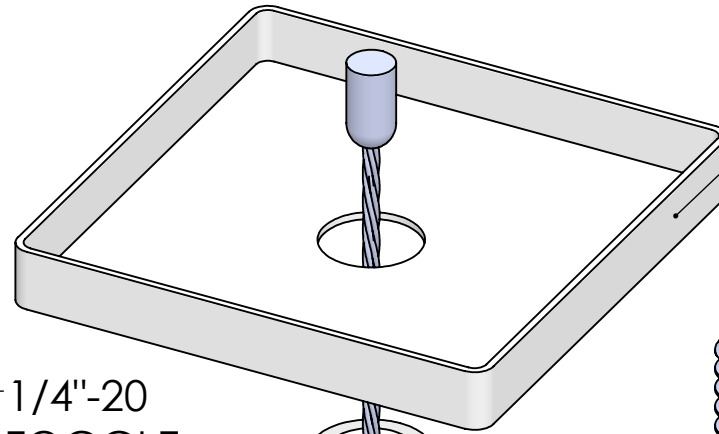
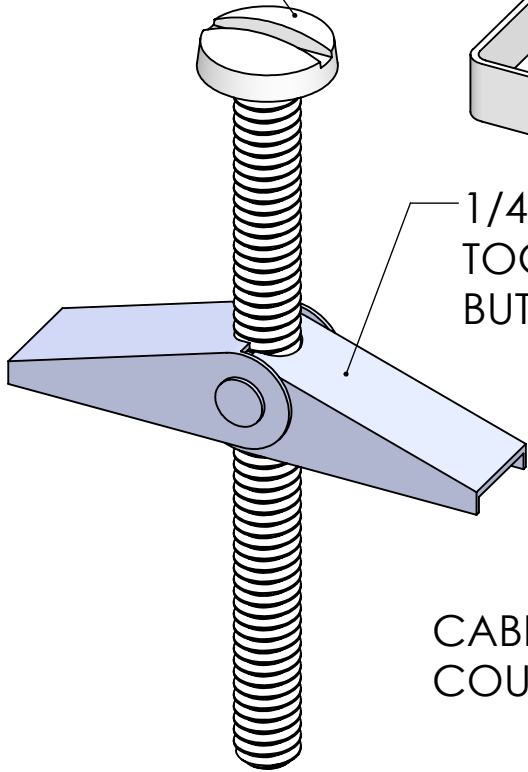


1/4"-20 SLOTTED BOLT



2" SQUARE CANOPY

1/4"-20 TOGGLE BUTTERFLY

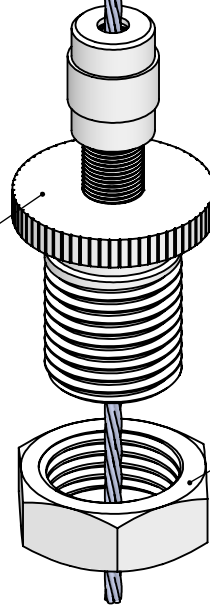
CABLE COUPLER



HANGER BOLT

1/16" CABLE

GRIPPER



LOCK NUT

*PARTS MAY VARY DEPENDING ON MODEL

This Document Contains Proprietary Data that is property of Pendant Systems which reserves all rights to it. Unauthorized use without authorization is prohibited.

Pendant Systems

1670 Winchester Rd.
Bensalem, PA 19020
P-215-638-8552
F-215-638-8554
www.PendantSystems.com

UNLESS OTHERWISE SPECIFIED DIMENSIONS ARE IN BOTH INCHES & MILLIMETERS UNLESS OTHERWISE NOTED TOLERANCES:

LINEAR: XX= .02" XXX= $\pm .010"$ ANGULAR: ± 1 Degree

FINISH:

TITLE:

Non-Feed Sheetrock Mount SQ BE

DO NOT SCALE DRAWING

MATERIAL:

Part #

DEBUR AND BREAK SHARP EDGES

REVISION

DRAWN DATE: 11/20/17

Drawn By: MWR

SCALE: NTS

SHEET 1 OF 1