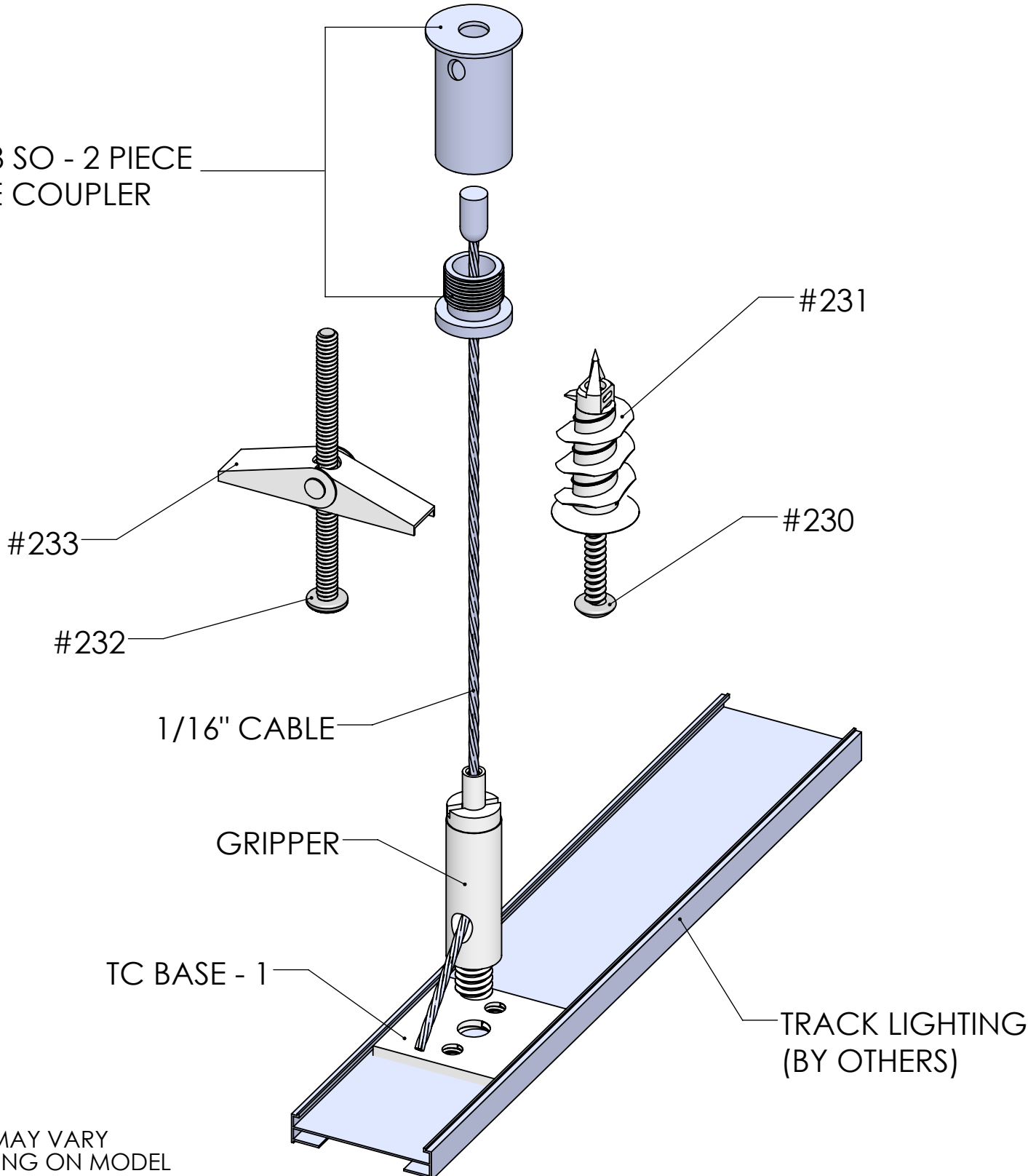


CC1/8 SO - 2 PIECE
CABLE COUPLER



*PARTS MAY VARY
DEPENDING ON MODEL

This Document
Contains Proprietary
Data that is property
of Pendant Systems
which reserves all
rights to it.
Unauthorized use
without authorization
is prohibited.

Pendant Systems
1670 Winchester Rd.
Bensalem, PA 19020
P-215-638-8552
F-215-638-8554
www.PendantSystems.com

UNLESS OTHERWISE SPECIFIED DIMENSIONS ARE IN BOTH INCHES & MILLIMETERS UNLESS OTHERWISE NOTED TOLERANCES:
LINEAR: XX= .02" XXX= $\pm .010"$ ANGULAR: ± 1 Degree

FINISH:

TITLE:
Non-Feed CC1/8 SO Mount SE TC-1

DO NOT SCALE DRAWING
DEBUR AND BREAK SHARP EDGES

MATERIAL:

Part # CC2541/[XXX] REVISION

DRAWN DATE: 7/26/16

Drawn By: MWR

SCALE: NTS

SHEET 1 OF 1