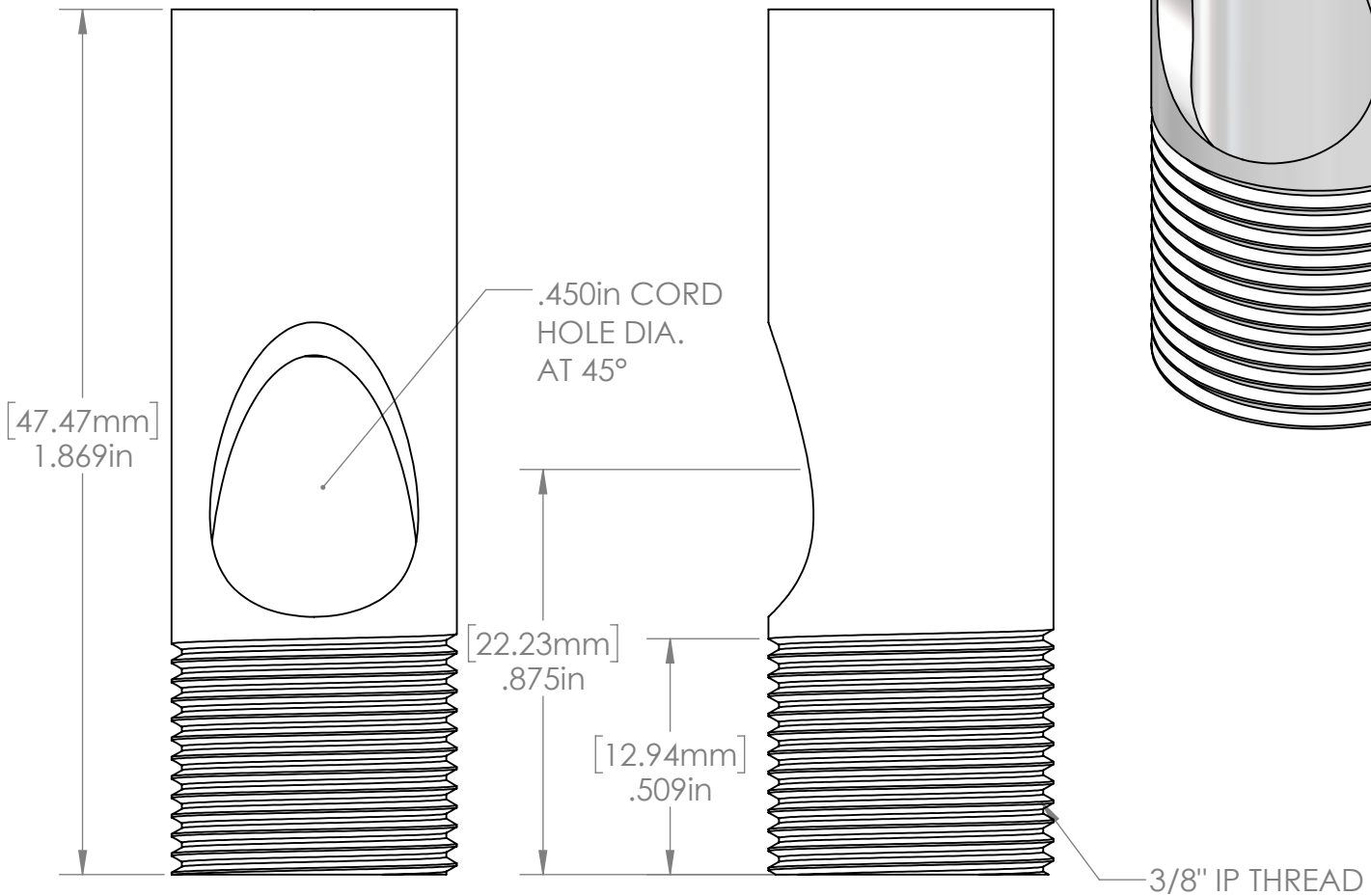
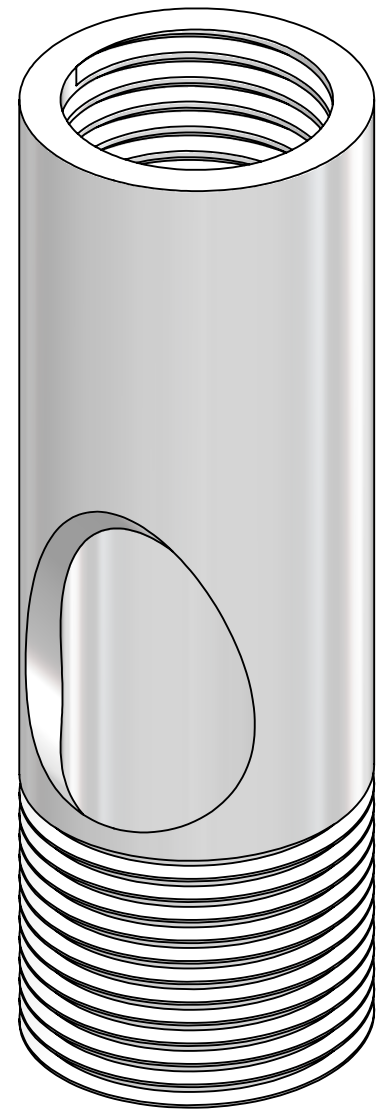
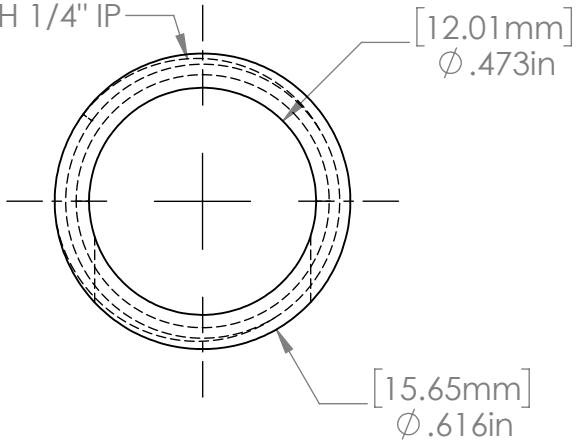


.725in THREAD
LENGTH 1/4" IP



3/8" Male Power Feed Tube for cord
3/8" IP Bottom O.D. Fixture Side
1/4" IP Top I.D. Gripper Side
1.869" Overall Length .450" DIA Cord Hole

This Document
Contains Proprietary
Data that is property
of Pendant Systems
which reserves all
rights to it.
Unauthorized use
without authorization
is prohibited.

Pendant Systems

1670 Winchester Rd.
Bensalem, PA 19020
P-215-638-8552
F-215-638-8554
www.PendantSystems.com

UNLESS OTHERWISE SPECIFIED DIMENSIONS ARE IN BOTH INCHES & MILLIMETERS UNLESS OTHERWISE NOTED TOLERANCES:

LINEAR: XX= .02' XXX= $\pm .010$ ' ANGULAR: ± 1 Degree

FINISH:

TITLE:

PF 3/8 REV 1

DO NOT SCALE DRAWING

MATERIAL:

Part #

DEBUR AND BREAK SHARP EDGES

REVISION

DRAWN DATE: 3/30/16

Drawn By: MWR

SCALE: NTS

SHEET 1 OF 1

1