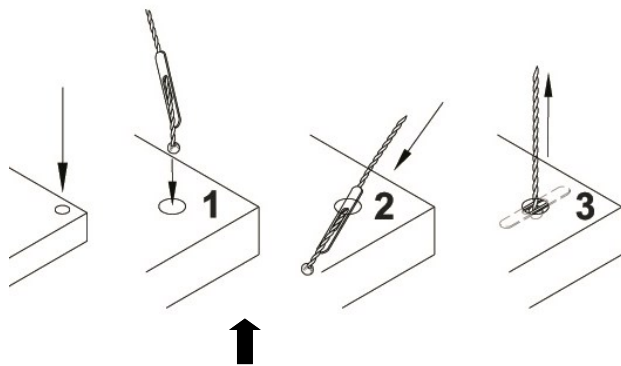
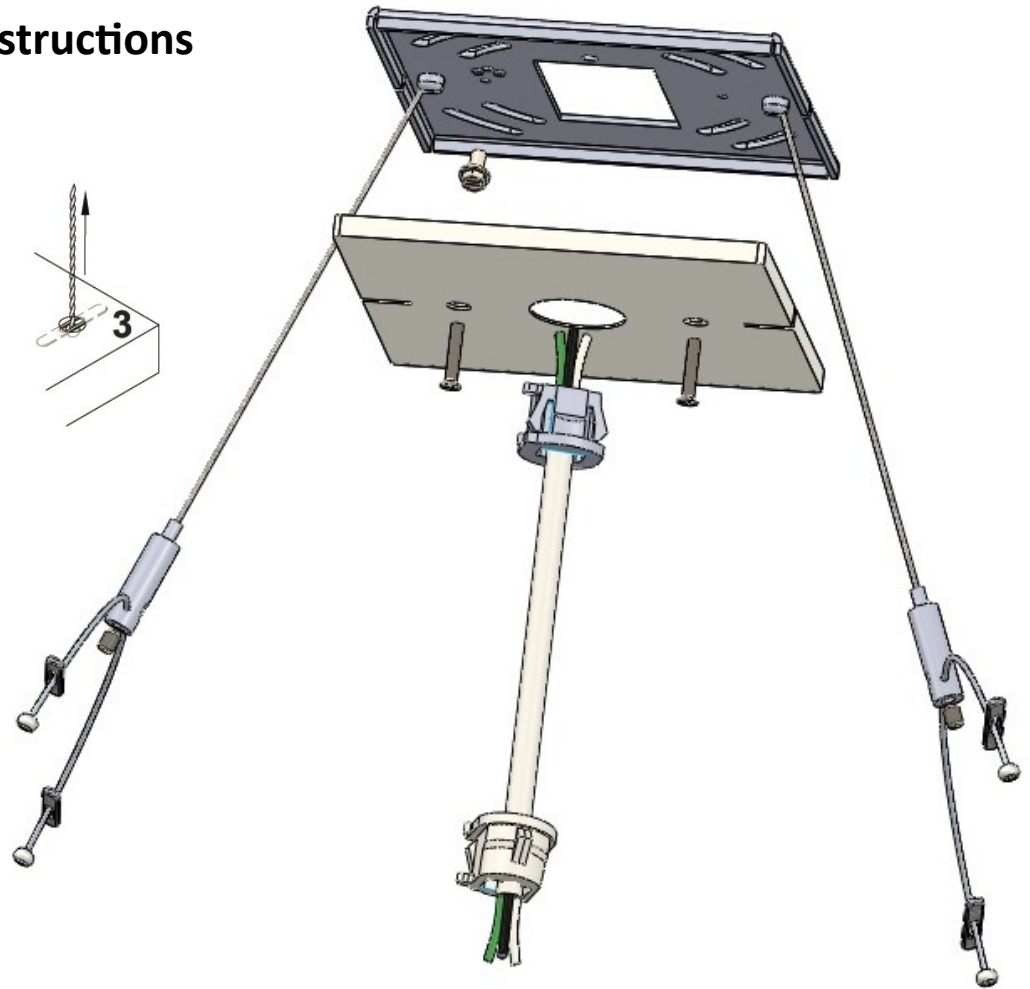


# **Mono Point High Bay Cord Feed Suspension Assembly Instructions**



Paddle insertion into fixture



**Warning Electrical Shock Hazard: All wiring should be done by a qualified electrical professional**

**Disconnect all power sources before attempting to install**

- 1) Insert half ball end cables into Mono Point Crossbar and mount as shown to 4" octagonal or 4" square Box. \*Tip: If you back off screws on crossbar then MP Plate will slide closer to J-Box. Remember to tighten crossbar screws when MP Plate, J-Box and MP Crossbar are in place.
- 2) Assemble gripper attachments (type will vary) to fixture and wire cord into fixture using "Lock-It" strain relief.
- 3) Pick up fixture and insert cable ends into gripper assembly. Adjust height and balance as necessary.
- 4) Measure cord to face of canopy and mark to insert "Lock-It" strain relief on mark with bushing facing inward towards canopy as shown.
- 5) Snap cord and strain relief into canopy. Make electrical and grounding connections.
- 6) Push canopy to junction box and fasten to crossbar using 2-6/32" Screws
- 7) Insert the Philips Tap Caps to the top of the Philips screws on the canopy.

**Assembly is rated for 50 Lbs. Static Loads Only (No dynamic or moving loads)**

**Not for chemical or pool corrosive environments**

**Mono Point Patent Pending Pendant Systems Mfg. 5/2013**