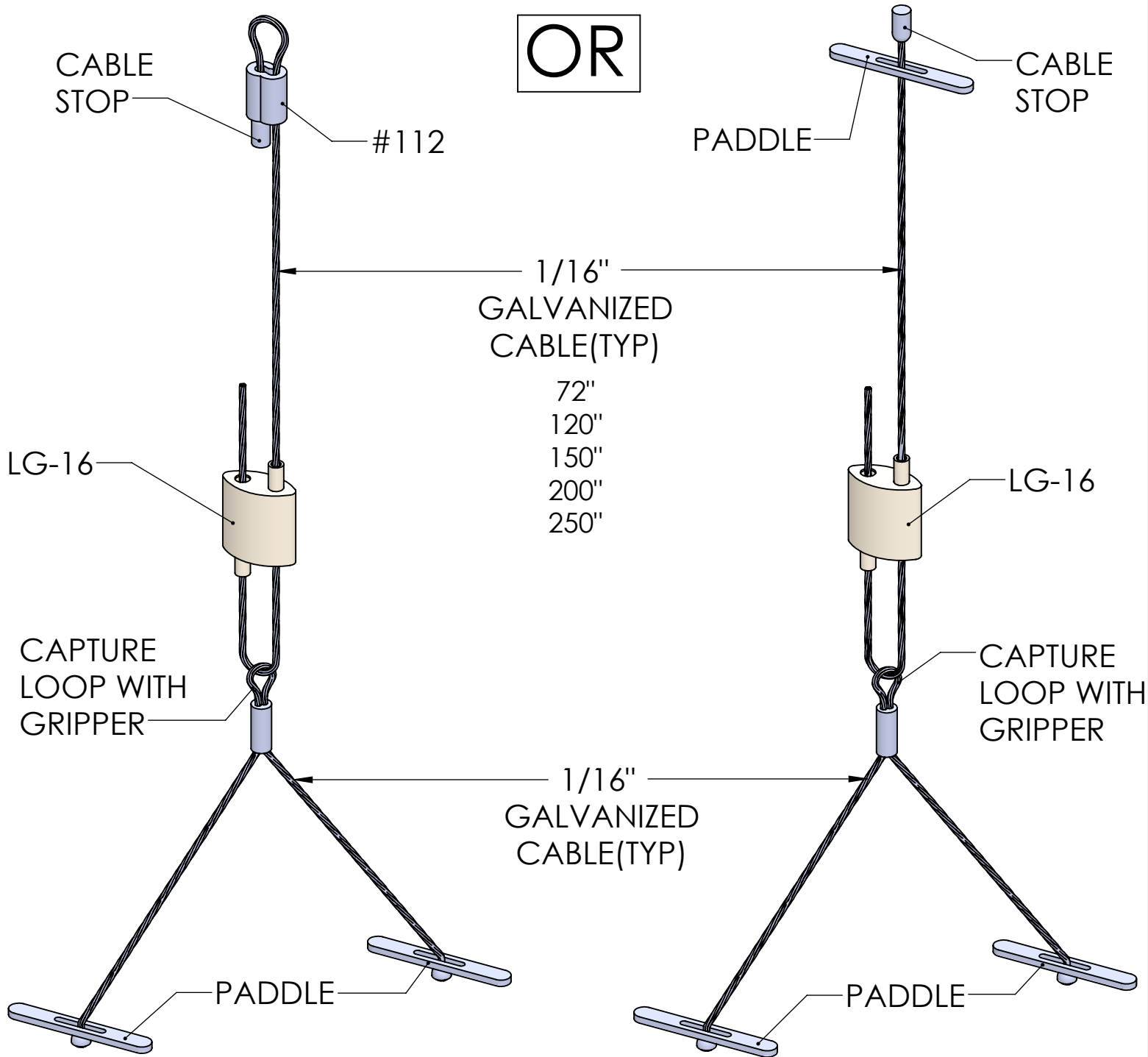


\*LOOP STOP END OF CABLE AROUND STRUCTURE USING #112 DUPLEX FERRULE

\*INSERT PADDLE INTO 1/4" HOLE INTO CEILING PAN



Maximum Load Rating Per Hanger  
 1/16" Cable - 80lbs  
 3/64" Cable - 30lbs  
 2-Pack

\*See Page 2 For Paddle Detail

This Document Contains Proprietary Data that is property of Pendant Systems which reserves all rights to it. Unauthorized use without authorization is prohibited.

**Pendant Systems**

1670 Winchester Rd.  
 Bensalem, PA 19020  
 P-215-638-8552  
 F-215-638-8554  
 www.PendantSystems.com

UNLESS OTHERWISE SPECIFIED DIMENSIONS ARE IN BOTH INCHES & MILLIMETERS UNLESS OTHERWISE NOTED TOLERANCES:

LINEAR: XX= .02" XXX=  $\pm$ .010" ANGULAR:  $\pm$  1 Degree

FINISH:

Part #

HB-LG-XXX-18Y PAD-L&P

DO NOT SCALE DRAWING

MATERIAL:

Title:

DEBUR AND BREAK SHARP EDGES

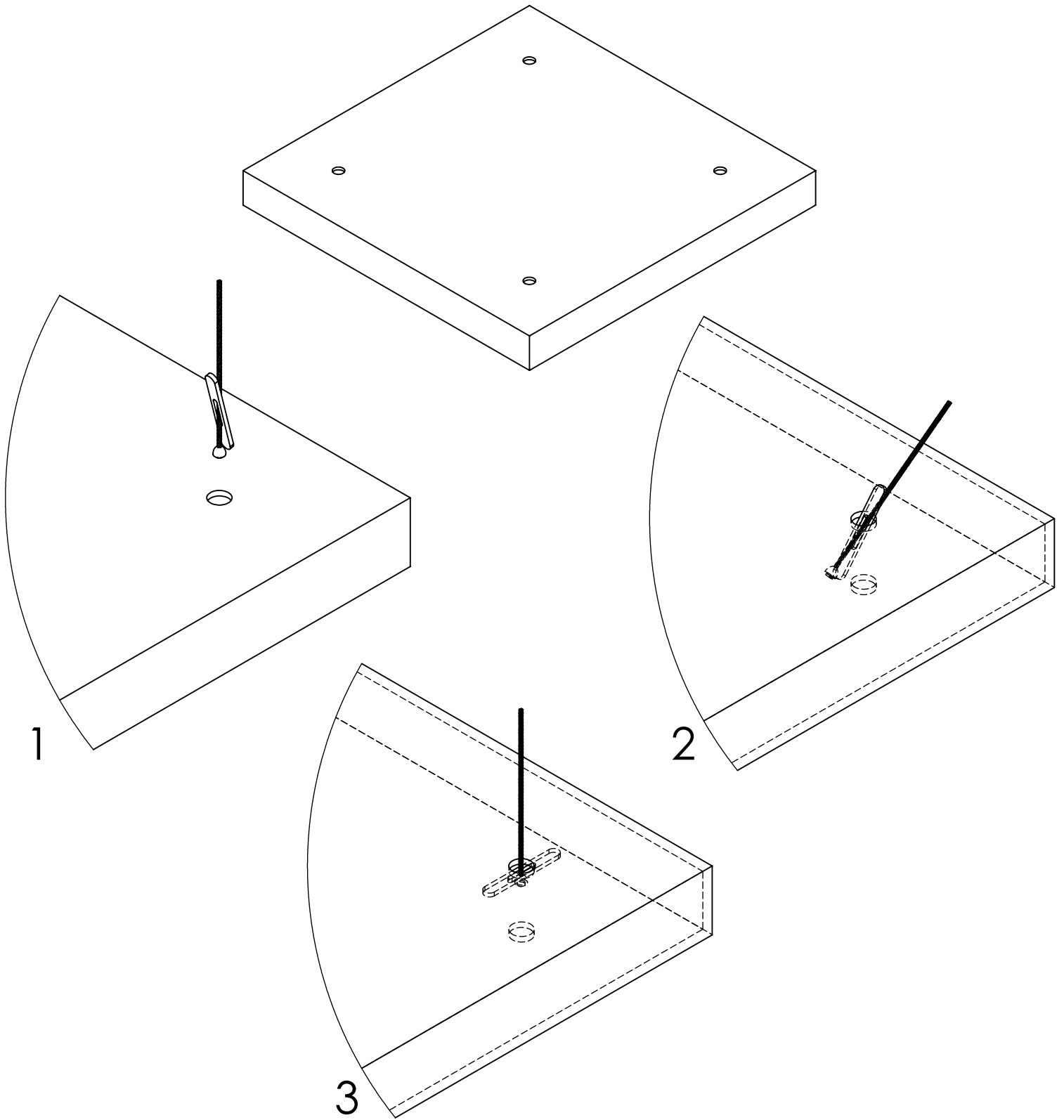
REVISION

DRAWN DATE: 5/4/18

Drawn By: MWR

SCALE: NTS

SHEET 1 OF 2



**\*FOR 1/4" - 3/8" HOLES**

This Document  
Contains Proprietary  
Data that is property  
of Pendant Systems  
which reserves all  
rights to it.  
Unauthorized use  
without authorization  
is prohibited.

**Pendant Systems**

1670 Winchester Rd.  
Bensalem, PA 19020  
P-215-638-8552  
F-215-638-8554  
[www.PendantSystems.com](http://www.PendantSystems.com)

UNLESS OTHERWISE SPECIFIED DIMENSIONS ARE IN BOTH INCHES & MILLIMETERS UNLESS OTHERWISE NOTED TOLERANCES:

LINEAR: XX= .02" XXX=  $\pm$ .010" ANGULAR:  $\pm$  1 Degree

FINISH:

Part #

Paddle Detail

DO NOT SCALE DRAWING

MATERIAL:

Title:

DEBUR AND BREAK SHARP EDGES

REVISION

DRAWN DATE: 5/4/18

Drawn By: MWR

SCALE: NTS

SHEET 2 OF 2