

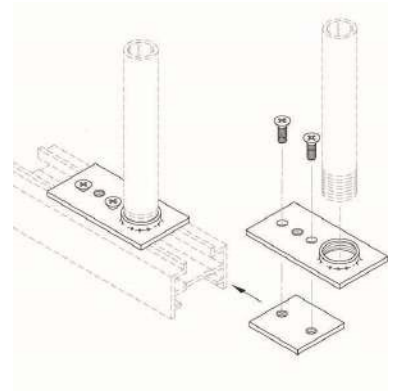
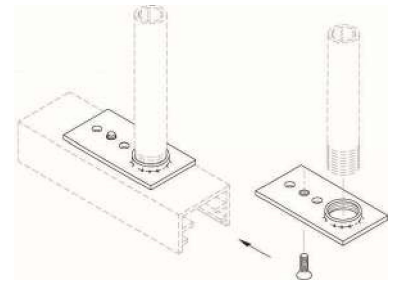
# Pendant Systems

The Lighting Suspension Specialists [www.PendantSystems.com](http://www.PendantSystems.com) P-215-638-8552 F-215-638-8554

## Track Clips



<u>Track Clip Sets</u>	
Catalog #	Individually Bagged with 1-TC-Base, 1-TC 3/8"IP or 1/4"IP & 2-#217 Screws
Track Clip Kit 1/4"	1/4" IP Threaded Top Plate for 1/4"IP Stems (1/2"OD)
Track Clip Kit 3/8"	3/8" IP Threaded Top Plate for 3/8"IP Stems (5/8"OD)



*Track Clips are used to fasten stems to the back of track. The clips can be used with a track groove in the extrusion or mounted flush to the back of the track.*



### Track Clip and Gripper Base for Slot of Extrusion

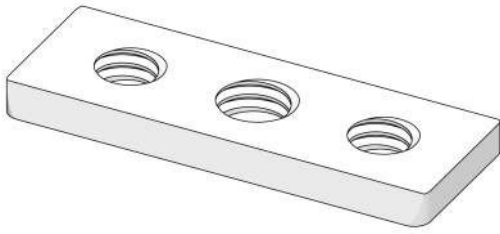
(TC Base) - .965"W x 1" L x .80" Thick, 2-8/32" & Tapped Holes  
 (TC Base-.380)- .380"W x 1" L x .075" Thick, 2-8/32" & 1-10/32 Tapped Hole  
 (TC Base-.5)- .45"W x 1" L x .125" Thick, 2-8/32" & 1-1/4"-20 Tapped Hole  
 (TC Base-1)- .965"W x 1" L x .80" Thick, 2-8/32" & Tapped Holes W/1/4"-20 Tapped Center Hole



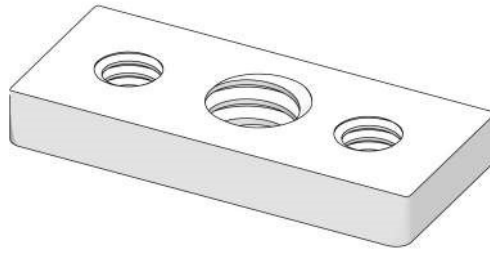
# Pendant Systems

The Lighting Suspension Specialists [www.PendantSystems.com](http://www.PendantSystems.com) P-215-638-8552 F-215-638-8554

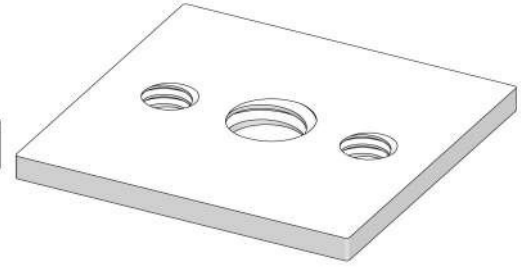
## Track Clips for Grippers



TC Base -.380

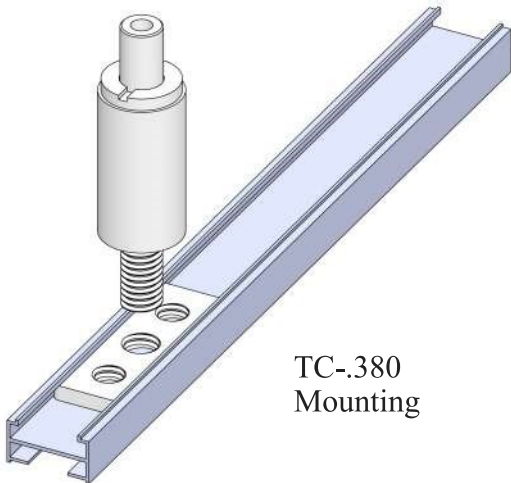


TC Base -.5

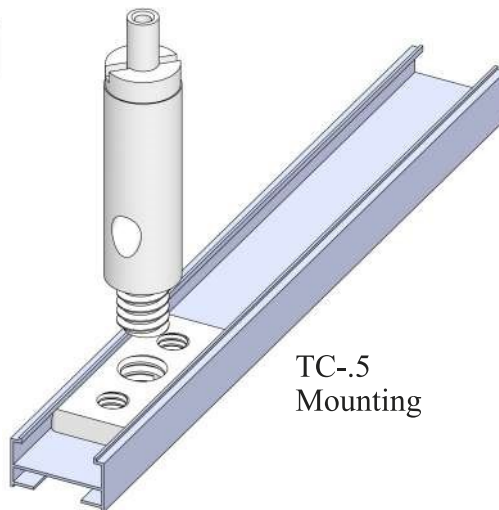


TC Base -1  
Or TC Base -1.1

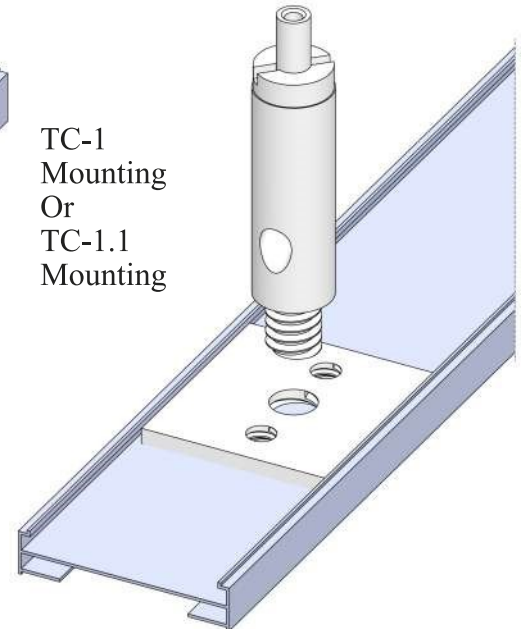
Catalog #	Description
TC Base -.380	.380"W x 1" L x .075" Thick, 2-8/32" & 1-10/32 Tapped Hole for Gripper
TC Base -.5	.45"W x 1" L x .125" Thick, 2-8/32" & 1-1/4"-20 Tapped Hole for Gripper
TC Base -1	.965"W x 1" L x .80" Thick, 2-8/32" & Tapped Holes W/1/4"-20 Tapped Center Hole for Gripper
TC Base-1.1	1.181" W x 1" L x .80" Thick, 2-8/32" & Tapped Holes W/1/4"-20 Tapped Center Hole for Gripper



TC-.380  
Mounting



TC-.5  
Mounting



TC-1  
Mounting  
Or  
TC-1.1  
Mounting

*TC Base (.380, .5, 1, 1.1) slides into extrusions on track moving freely until appropriate gripper is inserted into the track clip to secure it in place.*