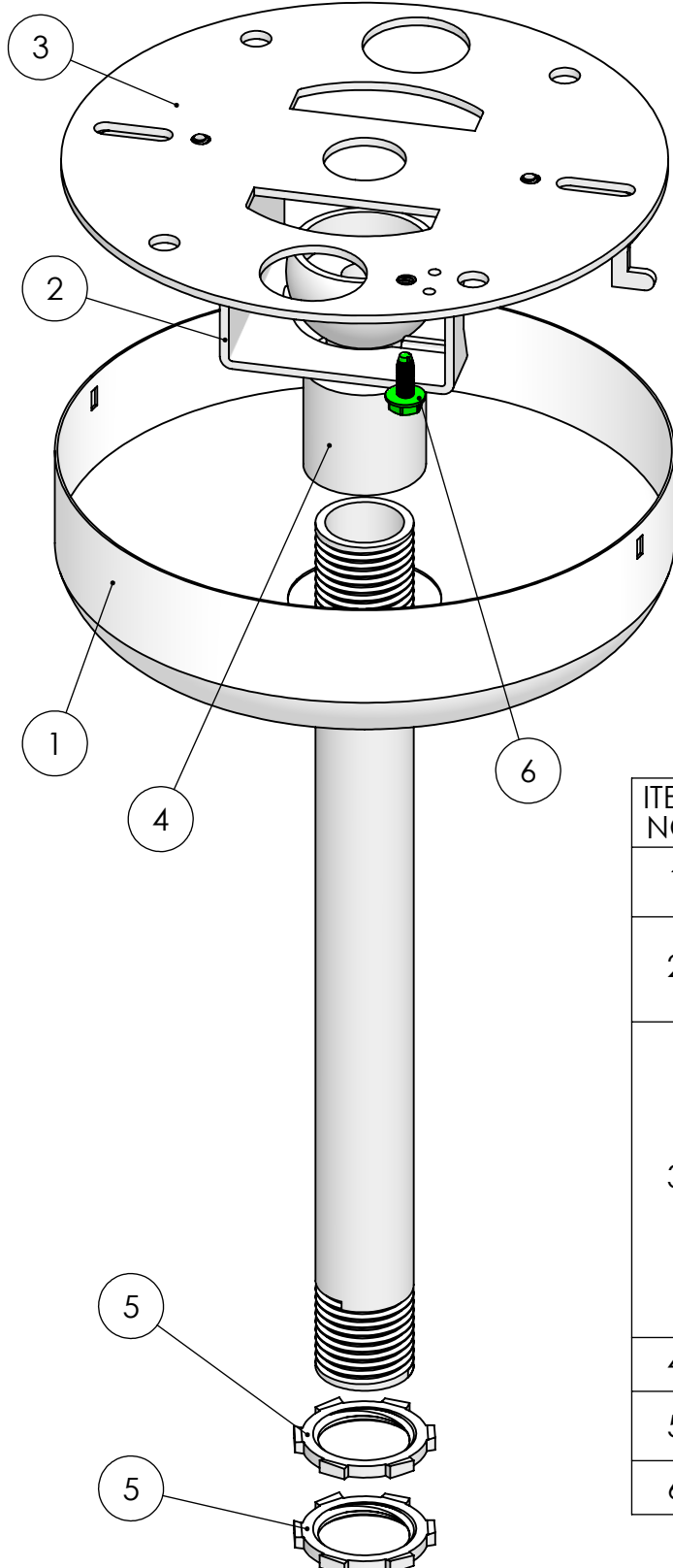


\*FLASH PLATE ATTACHED TO #33 CROSSBAR



ITEM NO.	PART NUMBER	DESCRIPTION	QTY.
1	#43	5" Diameter x 1 1/2" H White 1 1/4" Center Hole with side slots for #33	1
2	#33	Swivel Crossbar for #34, #35, #147, & #272 ADJ Half Balls. 2" W x 4 7/8" L x 1 3/8" H x 14 Gauge	1
3	Flash Plate	4.94" DIA x .076" Zinc Plated .675" DIA Center Knockout & two Oval Shaped Knockouts for Wiring into J-Box 2- 1/2" IP (.875") side hole Knockouts 4- 1/4" IP Mounting Holes & 2- 8/32 tapped holes for Mounting Crossbar to plate Ground & 2-8/32" mounting screws included	1
4	#147	1/2" IP Tap Half Ball	1
5	#77	1/2" IP Locknut Zinc Plated 1.14" O.D. x .125" H	2
6	#32	8/32 Green Ground Screw	1

**STEM LENGTH WILL VARY. ORDER SEPARATELY**  
**C645 FP USED WITH STEM 1/2" IP**  
**1/2" IPS .800"-.810" O.D. 14 T.P.I.**

\*37° SWIVEL

This Document Contains Proprietary Data that is property of Pendant Systems which reserves all rights to it. Unauthorized use without authorization is prohibited.

**Pendant Systems**

1670 Winchester Rd.  
 Bensalem, PA 19020  
 P-215-638-8552  
 F-215-638-8554  
[www.PendantSystems.com](http://www.PendantSystems.com)

UNLESS OTHERWISE SPECIFIED DIMENSIONS ARE IN BOTH INCHES & MILLIMETERS UNLESS OTHERWISE NOTED TOLERANCES:

LINEAR: XX= .02" XXX=  $\pm .010$ " ANGULAR:  $\pm 1$  Degree

FINISH:

TITLE:

C645 FP

DO NOT SCALE DRAWING

MATERIAL:

Part #

DEBUR AND BREAK SHARP EDGES

REVISION

DRAWN DATE: 6/15/16

Drawn By: MWR

SCALE: NTS

SHEET 1 OF 1