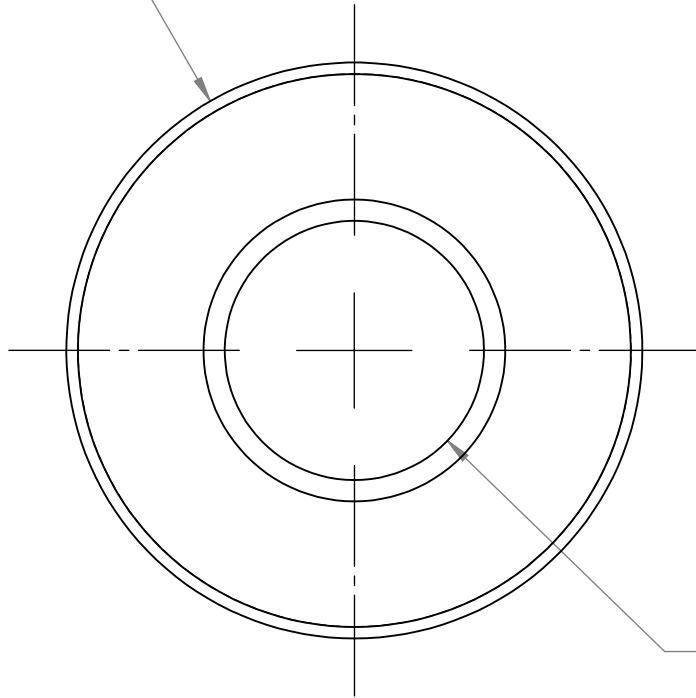
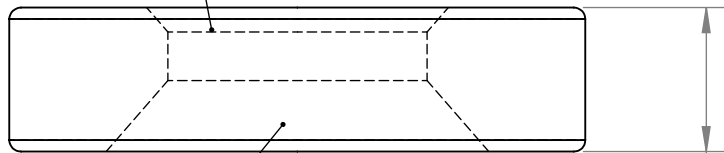


[12.70mm]  
 $\phi$  .500in



[5.72mm<sup>+0.13</sup><sub>0</sub>]  
 $\phi$  .225in<sup>+0.005</sup><sub>-.000</sub>

6/32" Countersunk



8/32" Countersunk

[3.18mm]  
 .125in

1/2" O.D. x 1/8" Thick Magnet w/ 8/32" & 6/32" Countersunk Holes

This Document Contains Proprietary Data that is property of Pendant Systems which reserves all rights to it. Unauthorized use without authorization is prohibited.

**Pendant Systems**

1670 Winchester Rd.  
 Bensalem, PA 19020  
 P-215-638-8552  
 F-215-638-8554  
 www.PendantSystems.com

UNLESS OTHERWISE SPECIFIED DIMENSIONS ARE IN BOTH INCHES & MILLIMETERS UNLESS OTHERWISE NOTED TOLERANCES:

LINEAR: XX= .02" XXX=  $\pm$ .010" ANGULAR:  $\pm$  1 Degree

FINISH:

TITLE:

Magnet

DO NOT SCALE DRAWING

MATERIAL:

Part #

DEBUR AND BREAK SHARP EDGES

REVISION

DRAWN DATE: 11/9/16

Drawn By: MWR

SCALE: NTS

SHEET 1 OF 1