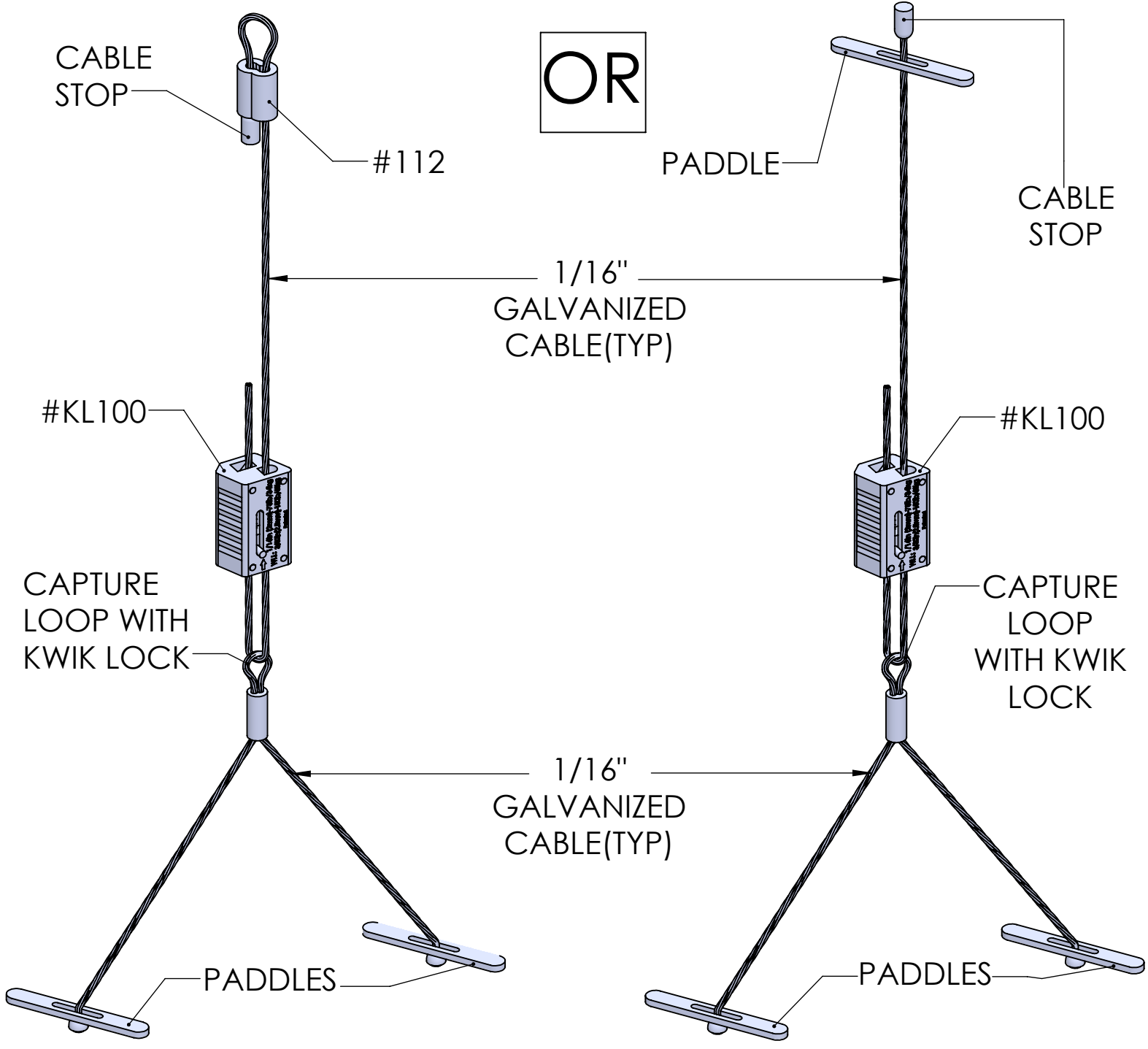


*LOOP STOP END OF CABLE AROUND STRUCTURE USING #112 DUPLEX FERRULE

*INSERT PADDLE INTO 1/4" HOLE INTO CEILING PAN



Maximum Load Rating -
 1/16" Cable - 75lbs
 3/32" Cable - 150 lbs
 *5x Safety Factor

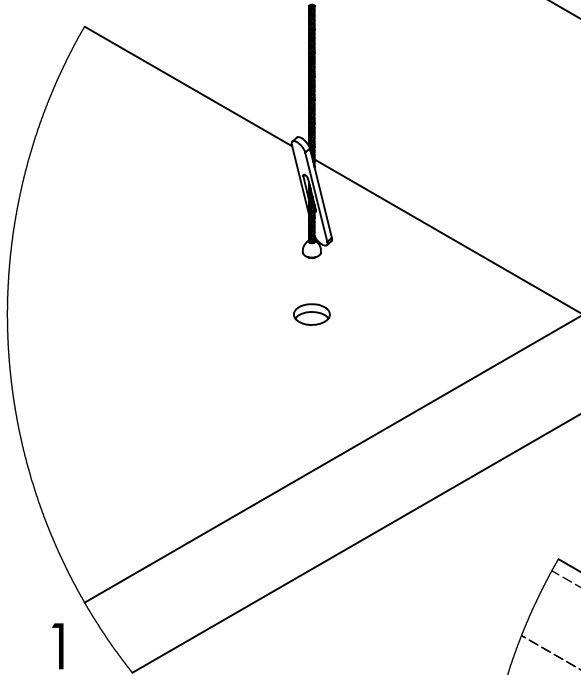
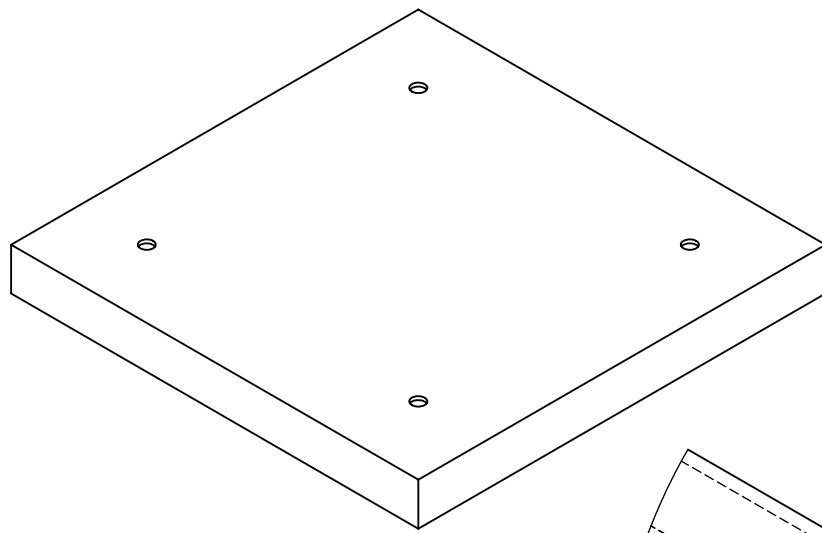
*** SEE PAGE 2 FOR PADDLE DETAIL**

This Document Contains Proprietary Data that is property of Pendant Systems which reserves all rights to it. Unauthorized use without authorization is prohibited.

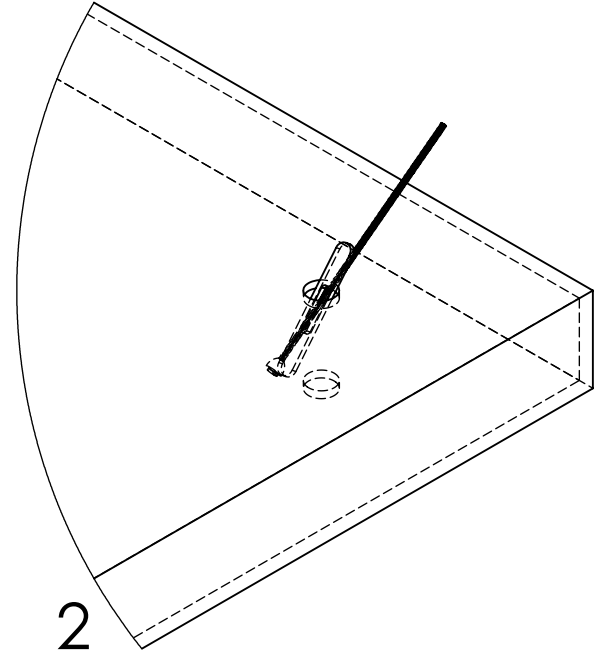
Pendant Systems

1670 Winchester Rd.
 Bensalem, PA 19020
 P-215-638-8552
 F-215-638-8554
 www.PendantSystems.com

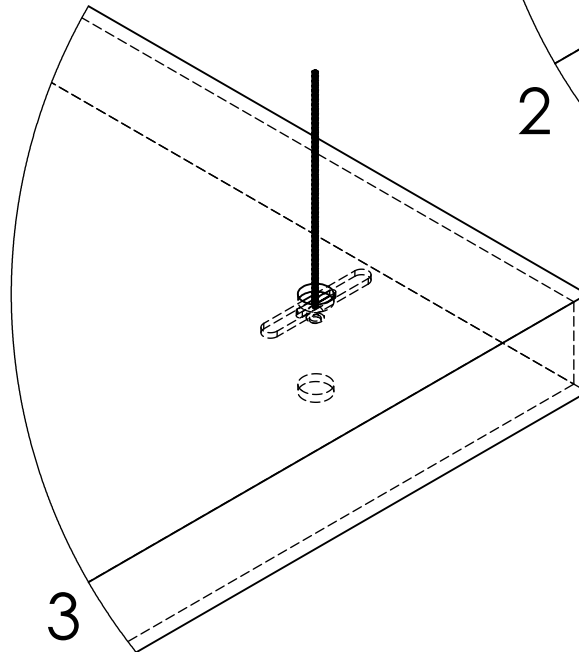
UNLESS OTHERWISE SPECIFIED DIMENSIONS ARE IN BOTH INCHES & MILLIMETERS UNLESS OTHERWISE NOTED TOLERANCES: LINEAR: XX= .02" XXX= ±.010" ANGULAR: ± 1 Degree		FINISH:		TITLE: HB-XXX-18Y PAD-L&P	
DO NOT SCALE DRAWING		MATERIAL:		Part #	
DEBUR AND BREAK SHARP EDGES				REVISION	
DRAWN DATE: 3/22/16		Drawn By: MWR		SCALE: NTS	
				SHEET 1 OF 2	



1



2



3

*** FOR 1/4" - 3/8" HOLES**

This Document
Contains Proprietary
Data that is property
of Pendant Systems
which reserves all
rights to it.
Unauthorized use
without authorization
is prohibited.

Pendant Systems

1670 Winchester Rd.
Bensalem, PA 19020
P-215-638-8552
F-215-638-8554
www.PendantSystems.com

UNLESS OTHERWISE SPECIFIED DIMENSIONS ARE IN INCHES & MILLIMETERS UNLESS OTHERWISE NOTED TOLERANCES:

LINEAR: XX= .02" XXX= $\pm .010$ " ANGULAR: ± 1 Degree

FINISH:

TITLE:

PADDLE DETAIL

DO NOT SCALE DRAWING

MATERIAL:

Part #

DEBUR AND BREAK SHARP EDGES

REVISION

DRAWN DATE: 3/22/16

Drawn By: MWR

SCALE: NTS

SHEET 2 OF 2