

ITEM NO.	PART NUMBER	DESCRIPTION	QTY.
1	#243B RM	5" Round Canopy	1
2	#237	.875" Hole Bushing .945" W x .750" I.D. x .250" H .063" Max Panel Thickness	1
3	#ADJ-SS	1/4" -20 Short (.350" Long) Socket Set Screw w/.125" DIA Point & 1/8" Allen Hex Head Pin for ADJ Series Half Balls	1
4	#SSS	1/4" -20 Socket Set Screw w/.125 DIA & 1/8" Allen Hex Head Pin for ADJ Series Half Balls	1
5	MP Plate HB	Monopoint Plate for Half Ball for MP Crossbar 2.82" L x 1.650" W x .075" Material Thickness Half Ball Opening for #35, #34 and #147 Tapped 8/32" Hole Zinc Plated Steel	1
6	MP Swivel Clip	Mono Point Swivel Retaining Clip for MP-Plate HB Spring Steel	1
7	MP Screws	6/32" x 3/4" Long Zinc Plated Flat Countersunk Head Machine Screw. Available with White, Black or Zinc Finished Heads	2
8	#34ADJ	3/8" IP Slip Half Ball Bright Casting	1
9	#22	3/8" IP x 1 1/16" Square x .073" Thick Zinc Plated	2
10	ADJ Tool Kit	Drill Bit 1/8" & Allen Wrench 1/8"	1
11	MP Crossbar Round	4.75" Round Crossbar .080" Material Thickness Zinc Plated Steel	1
12	#32	8/32 Green Ground Screw	1
13	#183	8/32" x 1/4" Philip Head Ext Sems Steel Zinc Screw	1

**STEM LENGTH WILL VARY. ORDER SEPARATELY
MP SW3/8 RD ADJ TK USED WITH STEM 3/8" IP
O.D. PH
3/8" IPS .625"-.635" O.D. 18 T.P.I.**

This Document Contains Proprietary Data that is property of Pendant Systems which reserves all rights to it. Unauthorized use without authorization is prohibited.

Pendant Systems

1670 Winchester Rd.
Bensalem, PA 19020
P-215-638-8552
F-215-638-8554
www.PendantSystems.com

UNLESS OTHERWISE SPECIFIED DIMENSIONS ARE IN BOTH INCHES & MILLIMETERS UNLESS OTHERWISE NOTED TOLERANCES:
*45° SWIVEL
LINEAR: XX= .02" XXX= -.010" ANGULAR: ± 1 Degree

FINISH:

TITLE:

MP SW 3-8 RD ADJ TK

DO NOT SCALE DRAWING

MATERIAL:

Part #

DEBUR AND BREAK SHARP EDGES

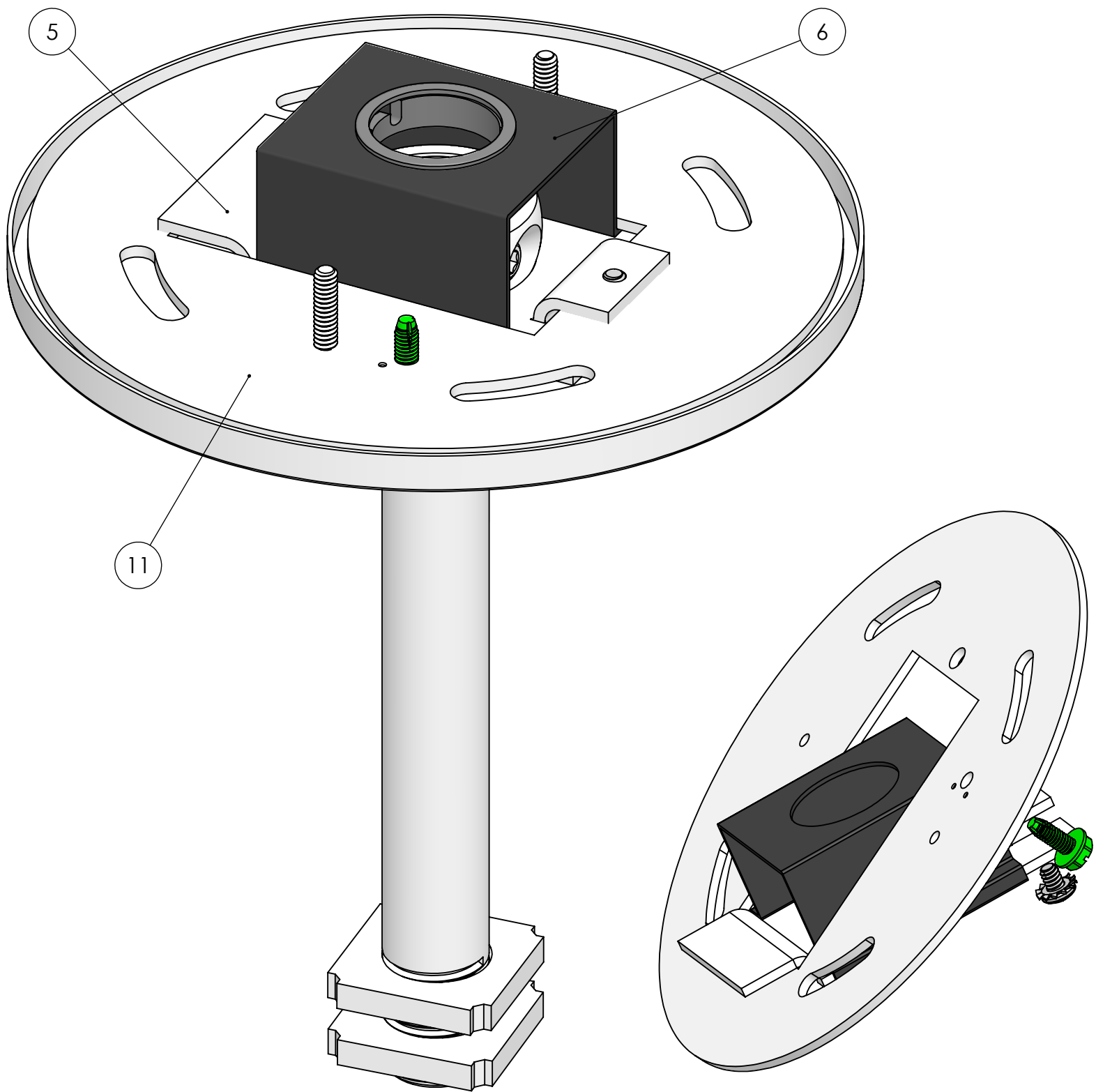
REVISION

DRAWN DATE: 3/7/16

Drawn By: MWR

SCALE: NTS

SHEET 1 OF 2



This Document
Contains Proprietary
Data that is property
of Pendant Systems
which reserves all
rights to it.
Unauthorized use
without authorization
is prohibited.

Pendant Systems

1670 Winchester Rd.
Bensalem, PA 19020
P-215-638-8552
F-215-638-8554
www.PendantSystems.com

UNLESS OTHERWISE SPECIFIED DIMENSIONS ARE IN INCHES &
MILLIMETERS UNLESS OTHERWISE NOTED TOLERANCES:

LINEAR: XX= .02" XXX= \pm .010" ANGULAR: \pm 1 Degree

FINISH:

TITLE:

MP SW 3/8 RD ADJ TK Assembled

DO NOT SCALE DRAWING

MATERIAL:

Part #

DEBUR AND BREAK SHARP EDGES

REVISION

DRAWN DATE: 3/7/16

Drawn By: MWR

SCALE: NTS

SHEET 2 OF 2