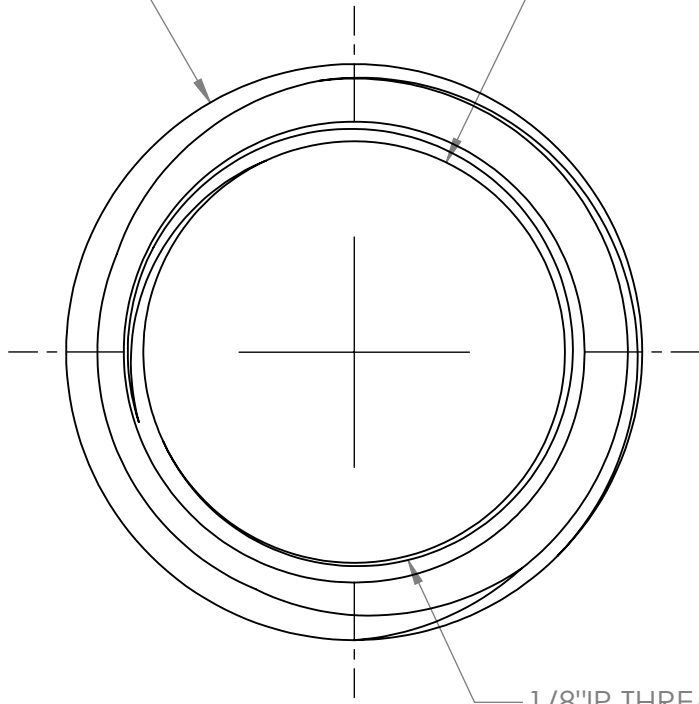
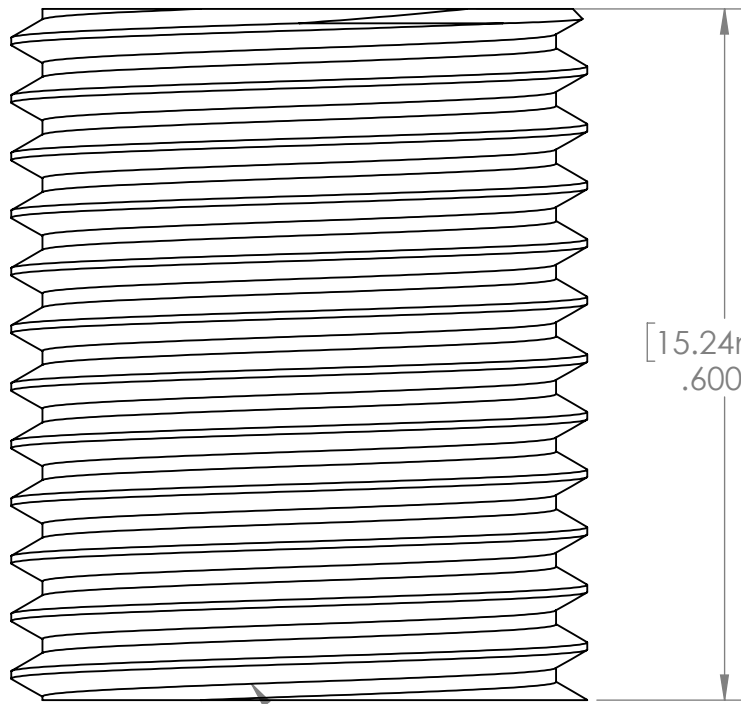
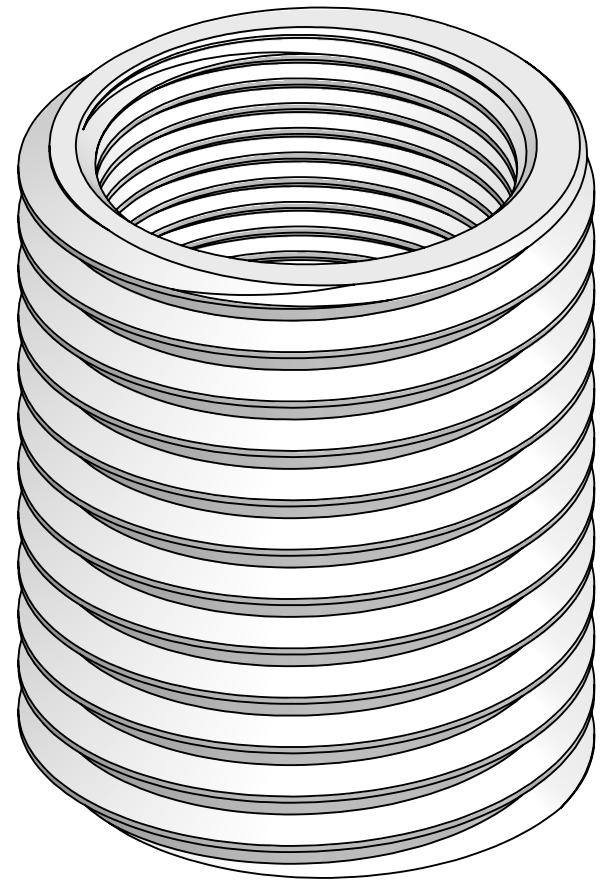


[12.70mm]  
 $\varnothing$  .500in

[9.30mm]  
 $\varnothing$  .366in



1/8"IP THREAD



[15.24mm]  
 .600in

1/4"IP THREAD

1/4" IP Outside Thread x 1/8" IP Thread x .6" H  
 Nickel Plated Reducer

This Document  
 Contains Proprietary  
 Data that is property  
 of Pendant Systems  
 which reserves all  
 rights to it.  
 Unauthorized use  
 without authorization  
 is prohibited.

**Pendant Systems**  
 1670 Winchester Rd.  
 Bensalem, PA 19020  
 P-215-638-8552  
 F-215-638-8554  
 www.PendantSystems.com

UNLESS OTHERWISE SPECIFIED DIMENSIONS ARE IN BOTH INCHES &  
 MILLIMETERS UNLESS OTHERWISE NOTED TOLERANCES:  
 LINEAR: XX= .02" XXX=  $\pm$ .010" ANGULAR:  $\pm$  1 Degree

FINISH:

TITLE:  
 250

DO NOT SCALE DRAWING  
 DEBUR AND BREAK SHARP EDGES

MATERIAL:

Part #  
 SCALE: NTS  
 SHEET 1 OF 1  
 REVISION

DRAWN DATE: 5/13/16

Drawn By: MWR

SCALE: NTS  
 SHEET 1 OF 1  
 REVISION