

1/4"-20 SCREW

CROSSBAR

5" CANOPY

STRAIN RELIEF

POWER CORD  
(18/3)

CABLE TIE (1  
PER FOOT)

CROSS CABLE

1/16" CABLE

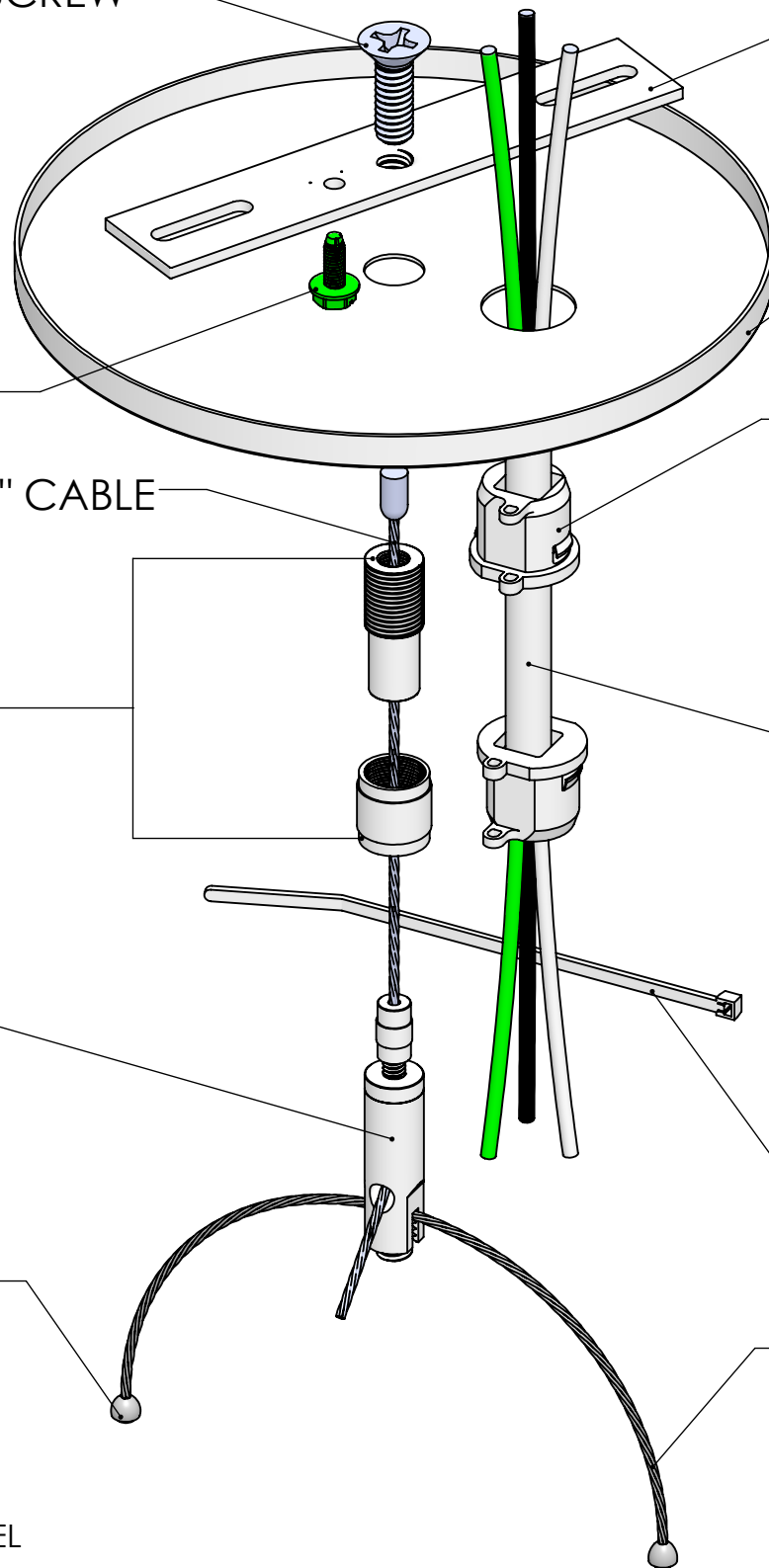
GROUND SCREW

2 PIECE CABLE  
COUPLER

GRIPPER WITH  
SET SCREW

HALF BALL ENDS

\*PARTS MAY VARY  
DEPENDING ON MODEL



This Document  
Contains Proprietary  
Data that is property  
of Pendant Systems  
which reserves all  
rights to it.  
Unauthorized use  
without authorization  
is prohibited.

**Pendant Systems**

1670 Winchester Rd.  
Bensalem, PA 19020  
P-215-638-8552  
F-215-638-8554  
www.PendantSystems.com

UNLESS OTHERWISE SPECIFIED DIMENSIONS ARE IN BOTH INCHES & MILLIMETERS UNLESS OTHERWISE NOTED TOLERANCES:

LINEAR: XX= .02" XXX=  $\pm$ .010" ANGULAR:  $\pm$  1 Degree

FINISH:

TITLE:

Power Feed w- MGR SE 1-4-20 BS HB

DO NOT SCALE DRAWING

MATERIAL:

Part #

DEBUR AND BREAK SHARP EDGES

REVISION

DRAWN DATE: 4/4/16

Drawn By: MWR

SCALE: NTS

SHEET 1 OF 1