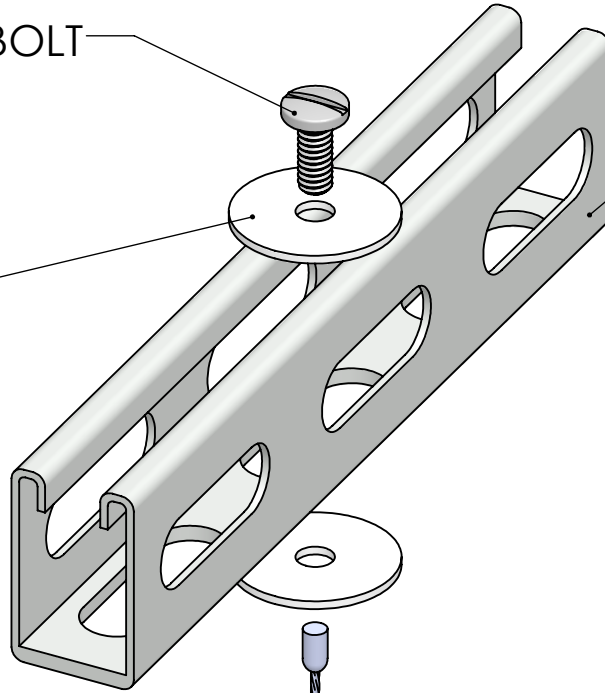


1/4-20 BOLT

STRUT  
(BY OTHERS)

WASHER



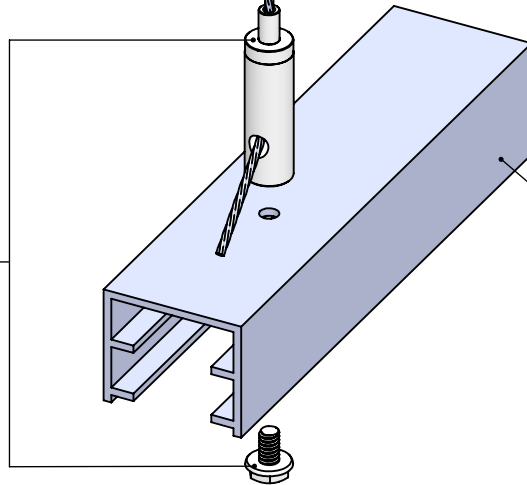
CABLE COUPLER

1/16" CABLE



MGR-SE 8/32

TRACK LIGHTING  
(BY OTHERS)



\*PARTS MAY VARY  
DEPENDING ON MODEL

This Document  
Contains Proprietary  
Data that is property  
of Pendant Systems  
which reserves all  
rights to it.  
Unauthorized use  
without authorization  
is prohibited.

**Pendant Systems**

1670 Winchester Rd.  
Bensalem, PA 19020  
P-215-638-8552  
F-215-638-8554  
www.PendantSystems.com

UNLESS OTHERWISE SPECIFIED DIMENSIONS ARE IN BOTH INCHES &  
MILLIMETERS UNLESS OTHERWISE NOTED TOLERANCES:

LINEAR: XX= .02" XXX=  $\pm$ .010" ANGULAR:  $\pm$  1 Degree

FINISH:

TITLE:

Non-Feed Unistrut Mount MGR-SE 8/32

DO NOT SCALE DRAWING

MATERIAL:

Part #

CC2336/[XXX]

DEBUR AND BREAK SHARP EDGES

REVISION

DRAWN DATE: 9/2/16

Drawn By: MWR

SCALE: NTS

SHEET 1 OF 1