

LAG SHEILD
(BY OTHERS)

1/4-20 STUD

2" CANOPY

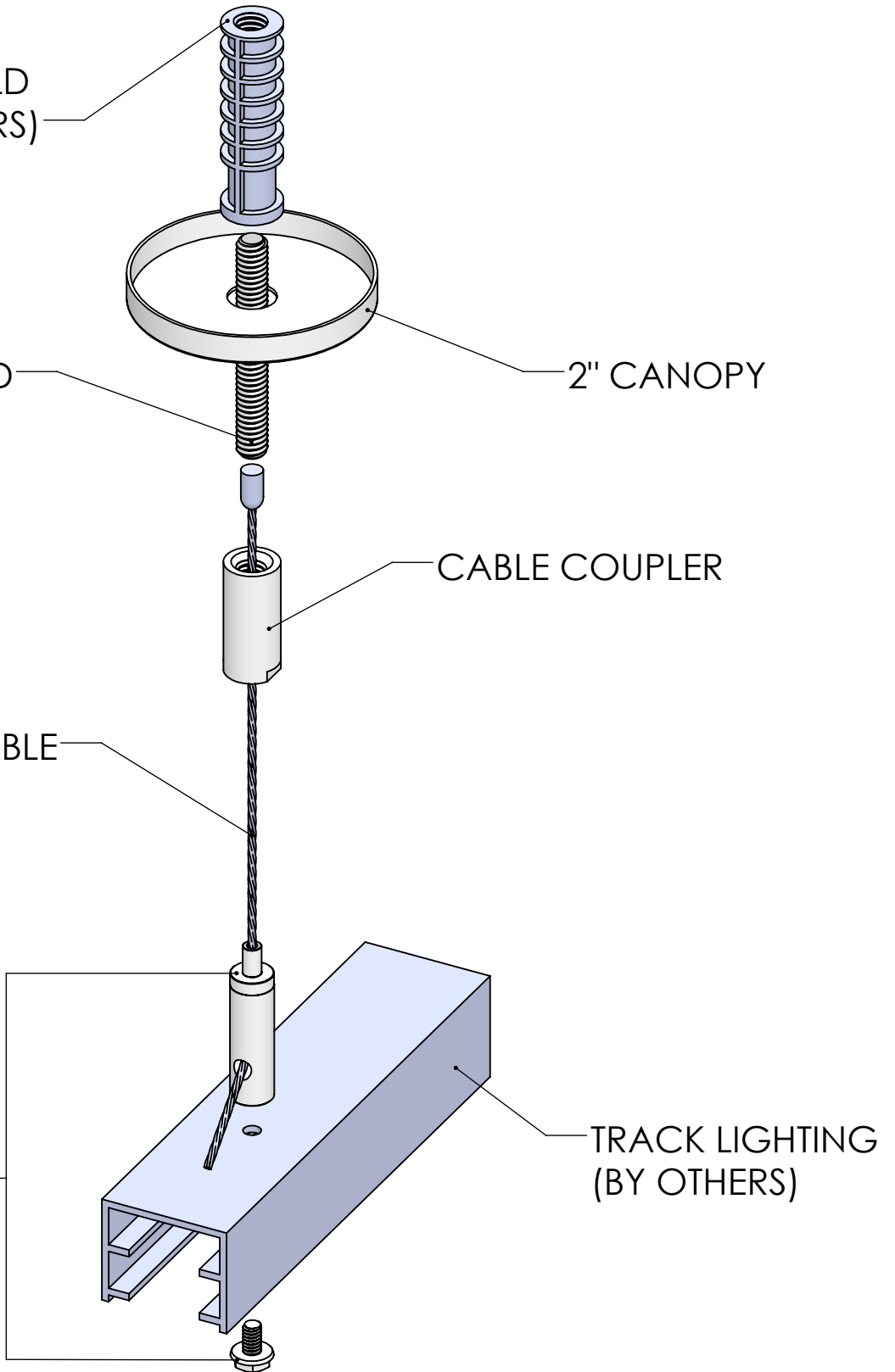
CABLE COUPLER

1/16" CABLE

MGR-SE 8/32

TRACK LIGHTING
(BY OTHERS)

*PARTS MAY VARY
DEPENDING ON MODEL



This Document
Contains Proprietary
Data that is property
of Pendant Systems
which reserves all
rights to it.
Unauthorized use
without authorization
is prohibited.

Pendant Systems

1670 Winchester Rd.
Bensalem, PA 19020
P-215-638-8552
F-215-638-8554
www.PendantSystems.com

UNLESS OTHERWISE SPECIFIED DIMENSIONS ARE IN BOTH INCHES & MILLIMETERS UNLESS OTHERWISE NOTED TOLERANCES:
LINEAR: XX= .02" XXX= \pm .010" ANGULAR: \pm 1 Degree

FINISH:

TITLE:
Non-Feed Concrete Mount MGR-SE 8/32

DO NOT SCALE DRAWING
DEBUR AND BREAK SHARP EDGES

MATERIAL:

Part # CC2337/[XXX]

DRAWN DATE: 9/2/16

Drawn By: MWR

SCALE: NTS

SHEET 1 OF 1
REVISION