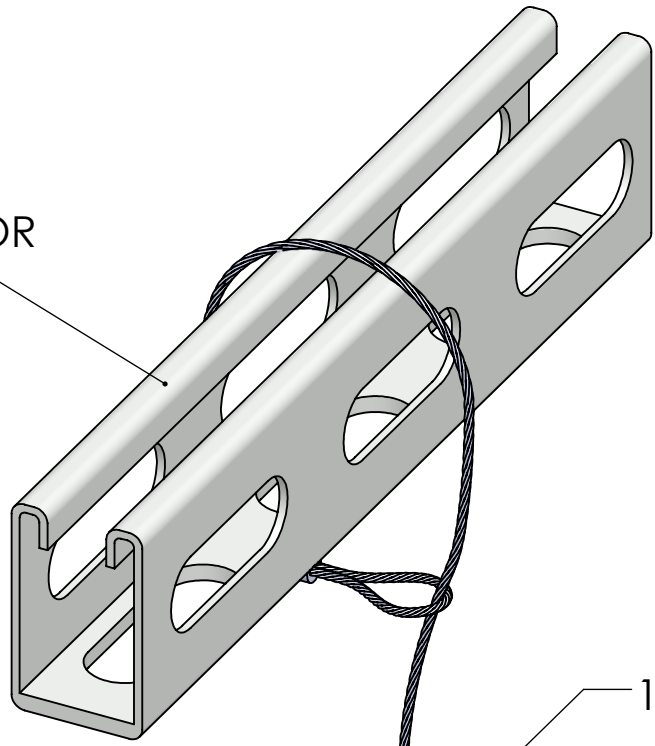


STRUCTURE OR CHANNEL

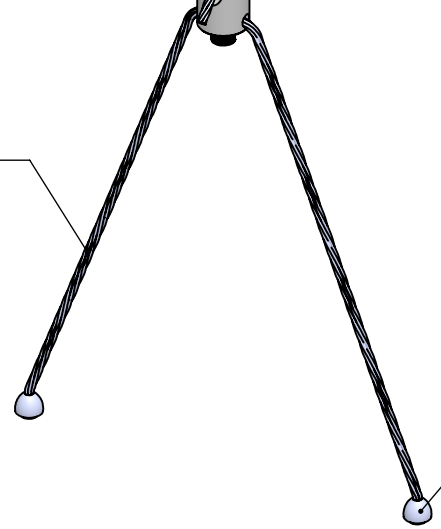


1/16" CABLE

GRIPPER

CROSS CABLE

HALF BALL END



*PARTS MAY VARY DEPENDING ON MODEL

This Document Contains Proprietary Data that is property of Pendant Systems which reserves all rights to it. Unauthorized use without authorization is prohibited.

Pendant Systems
 1670 Winchester Rd.
 Bensalem, PA 19020
 P-215-638-8552
 F-215-638-8554
 www.PendantSystems.com

UNLESS OTHERWISE SPECIFIED DIMENSIONS ARE IN BOTH INCHES & MILLIMETERS UNLESS OTHERWISE NOTED TOLERANCES:
 LINEAR: XX= .02" XXX= $\pm .010"$ ANGULAR: ± 1 Degree

FINISH:
 MATERIAL:

TITLE:
 Non-Feed Loop End Cross

DO NOT SCALE DRAWING
 DEBUR AND BREAK SHARP EDGES

MATERIAL:

Part #

REVISION

DRAWN DATE: 8/11/16

Drawn By: MWR

SCALE: NTS

SHEET 1 OF 1