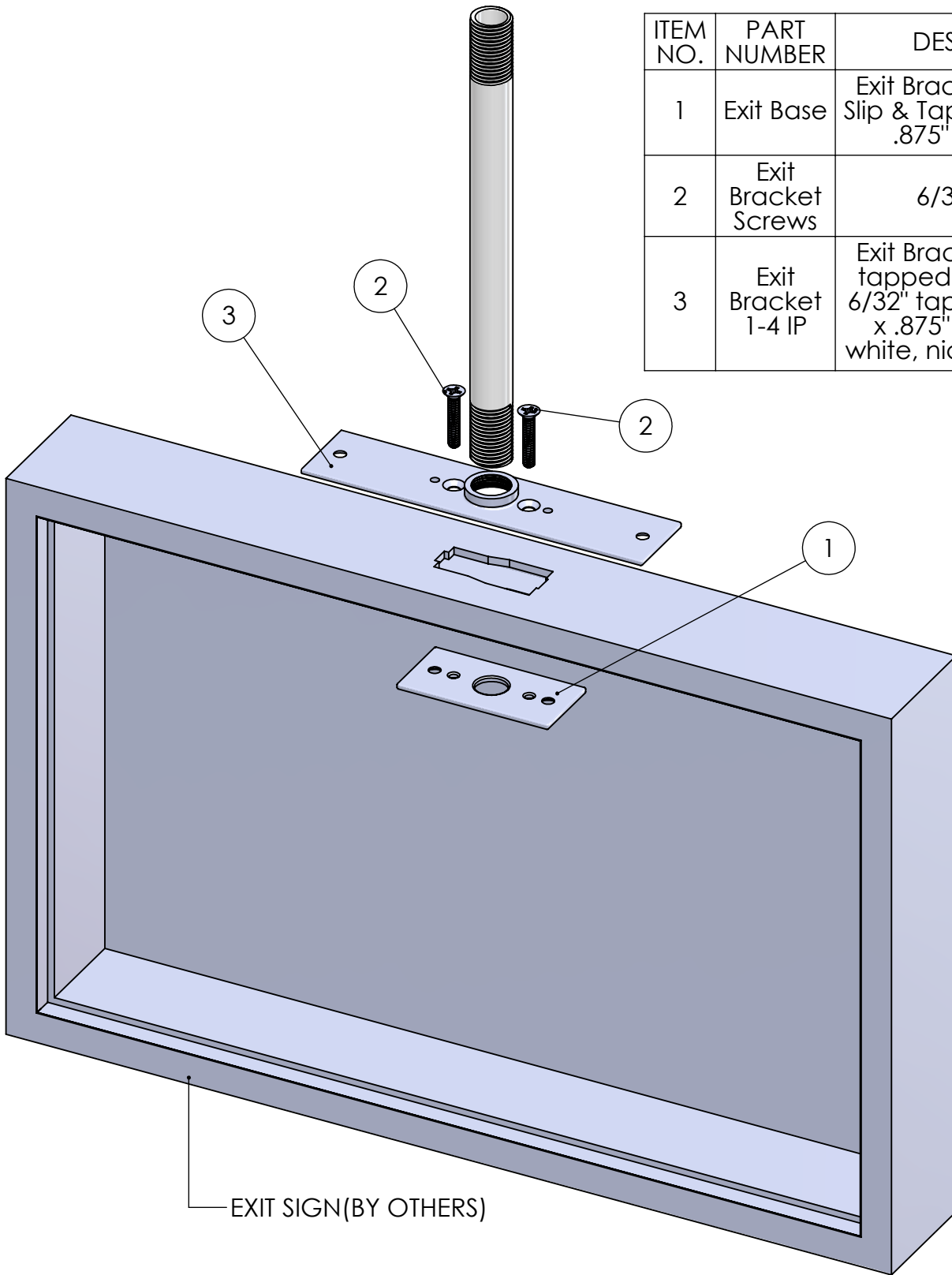


ITEM NO.	PART NUMBER	DESCRIPTION	QTY.
1	Exit Base	Exit Bracket Base 6/32" Slip & Tapped Holes. 2" x .875" Zinc Plated	1
2	Exit Bracket Screws	6/32" Screws	2
3	Exit Bracket 1-4 IP	Exit Bracket with 1/4"IP tapped center hole & 6/32" tapped holes. 4.5" x .875" (Available in white, nickel and black)	1



**STEM LENGTH WILL VARY. ORDER SEPARATELY**  
**Exit BRKT Kit 1/4 USED WITH STEM 1/4" IP**  
**1/4" IPS .500"-.510" O.D. 18 T.P.I.**  
**Add Suffix WT for White, BK for Black, or NK for Nickel**

This Document Contains Proprietary Data that is property of Pendant Systems which reserves all rights to it. Unauthorized use without authorization is prohibited.

## Pendant Systems

1670 Winchester Rd.  
 Bensalem, PA 19020  
 P-215-638-8552  
 F-215-638-8554  
[www.PendantSystems.com](http://www.PendantSystems.com)

UNLESS OTHERWISE SPECIFIED DIMENSIONS ARE IN BOTH INCHES & MILLIMETERS UNLESS OTHERWISE NOTED TOLERANCES:

LINEAR: XX= .02" XXX=  $\pm .010$ " ANGULAR:  $\pm 1$  Degree

FINISH:

TITLE:

Exit BRKT Kit 1-4

DO NOT SCALE DRAWING

MATERIAL:

Part #

DEBUR AND BREAK SHARP EDGES

REVISION

DRAWN DATE: 7/12/16

Drawn By: MWR

SCALE: NTS

SHEET 1 OF 1