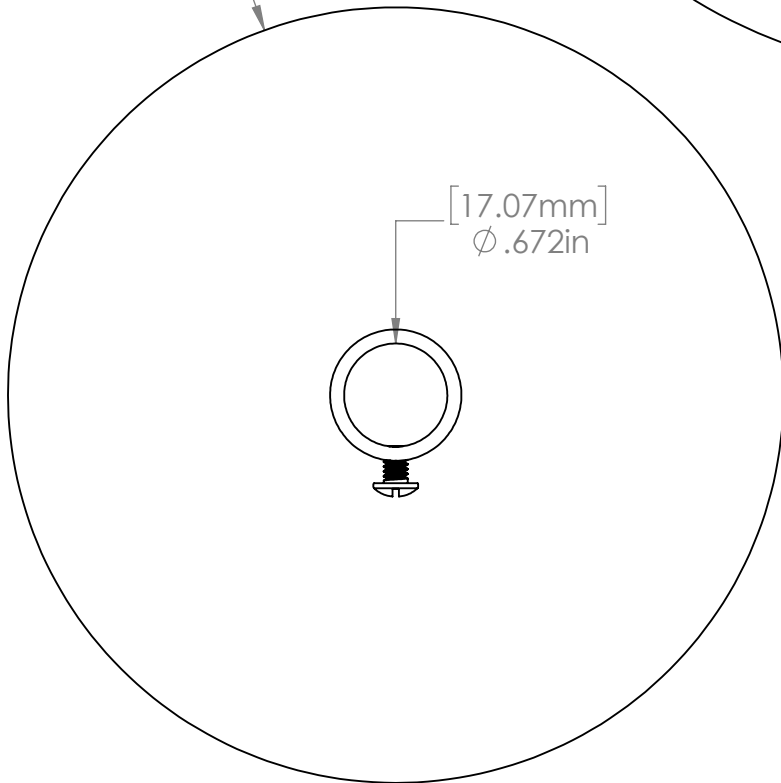
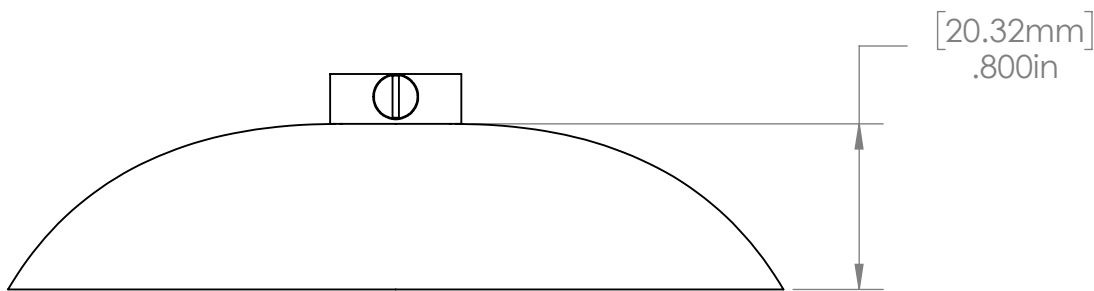


[127.00mm]  
 $\varnothing$  5.000in



[17.07mm]  
 $\varnothing$  .672in



[20.32mm]  
 .800in

Shallow Canopy w/ 3/8" IP Slip Ring Inserted  
 5" DIA x .800" H x .021" Material Thickness  
 Zinc Plated  
 Add Suffix WHT for White or BK for Black

This Document  
 Contains Proprietary  
 Data that is property  
 of Pendant Systems  
 which reserves all  
 rights to it.  
 Unauthorized use  
 without authorization  
 is prohibited.

# Pendant Systems

1670 Winchester Rd.  
 Bensalem, PA 19020  
 P-215-638-8552  
 F-215-638-8554  
 www.PendantSystems.com

UNLESS OTHERWISE SPECIFIED DIMENSIONS ARE IN BOTH INCHES & MILLIMETERS UNLESS OTHERWISE NOTED TOLERANCES:

LINEAR: XX= .02" XXX=  $\pm$ .010" ANGULAR:  $\pm$  1 Degree

FINISH:

TITLE:

72B

DO NOT SCALE DRAWING  
 DEBUR AND BREAK SHARP EDGES

MATERIAL:

Part #

REVISION

DRAWN DATE: 7/7/16

Drawn By: MWR

SCALE: NTS

SHEET 1 OF 1