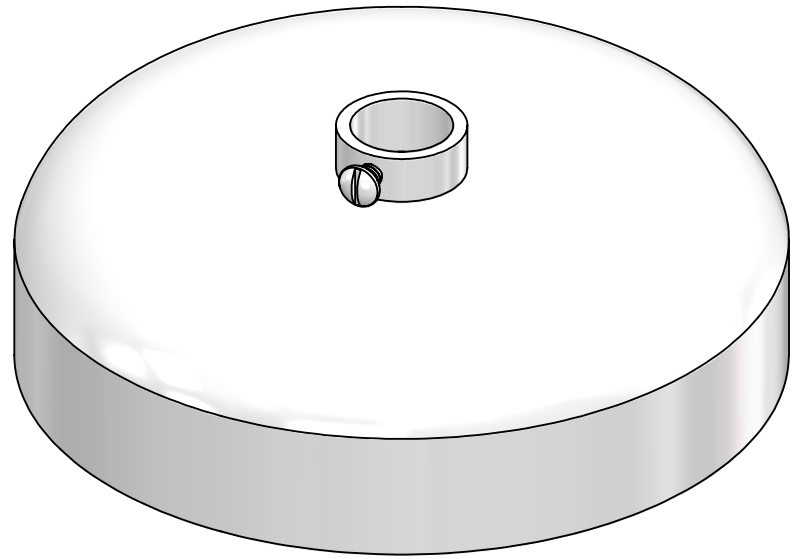
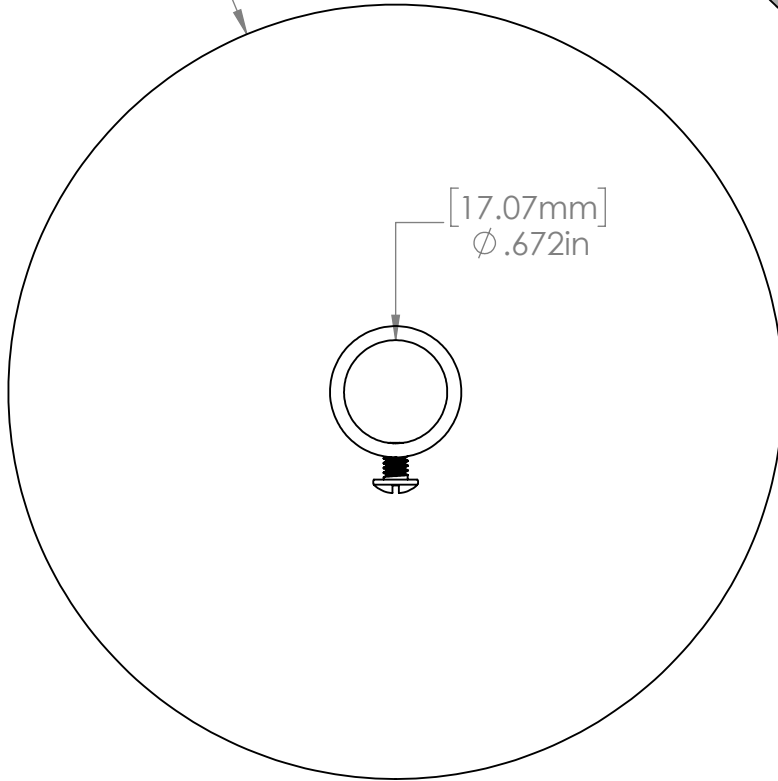
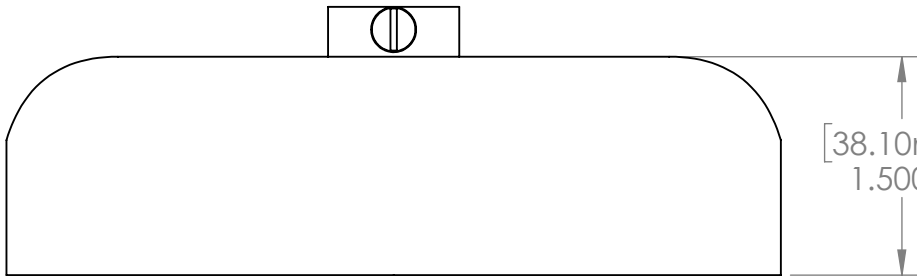


[127.00mm]  
 $\varnothing$  5.000in



[17.07mm]  
 $\varnothing$  .672in

[38.10mm]  
 1.500in



Deep Canopy w/ 3/8" IP Slip Ring Inserted  
 5" DIA x 1.5" H x .030" Material Thickness  
 Zinc Plated  
 Add Suffix WHT for White or BK for Black  
 41PR- #14PR White Slip Ring 3/8" IP Inserted

This Document  
 Contains Proprietary  
 Data that is property  
 of Pendant Systems  
 which reserves all  
 rights to it.  
 Unauthorized use  
 without authorization  
 is prohibited.

# Pendant Systems

1670 Winchester Rd.  
 Bensalem, PA 19020  
 P-215-638-8552  
 F-215-638-8554  
 www.PendantSystems.com

UNLESS OTHERWISE SPECIFIED DIMENSIONS ARE IN BOTH INCHES & MILLIMETERS UNLESS OTHERWISE NOTED TOLERANCES:

LINEAR: XX= .02" XXX=  $\pm$ .010" ANGULAR:  $\pm$  1 Degree

FINISH:

TITLE:

41B

DO NOT SCALE DRAWING

MATERIAL:

Part #

DEBUR AND BREAK SHARP EDGES

REVISION

DRAWN DATE: 7/7/16

Drawn By: MWR

SCALE: NTS

SHEET 1 OF 1