

2" CANOPY

LAG SCREW
(WOOD)

1 PIECE CABLE
COUPLER

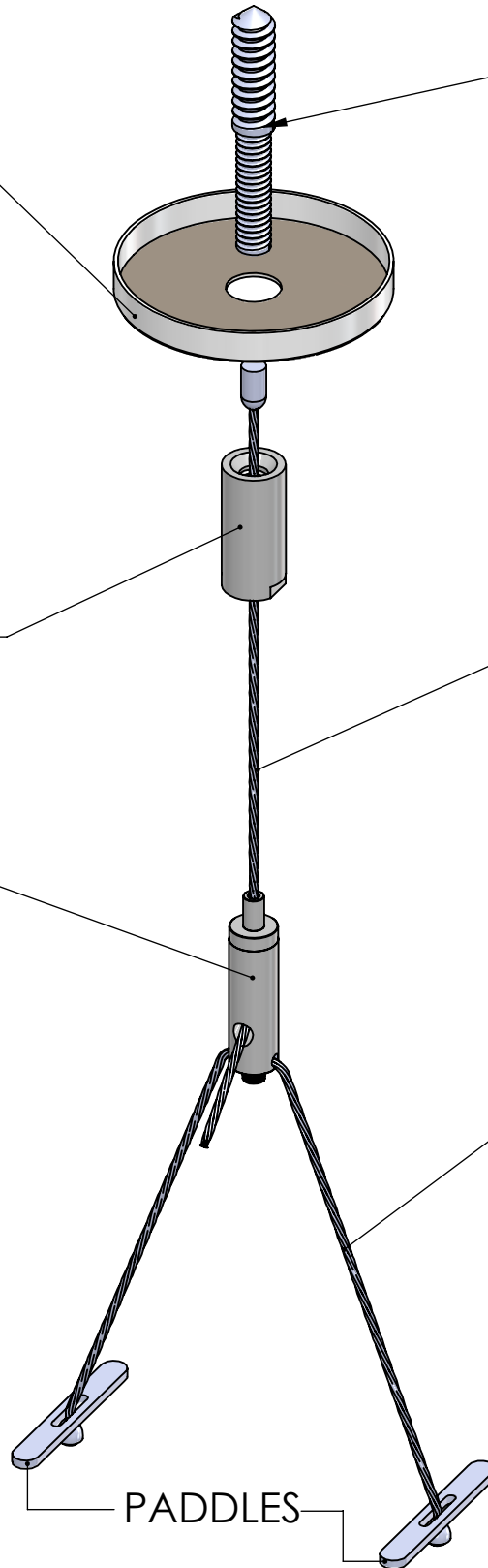
1/16" CABLE

GRIPPER

CROSS CABLE

*PARTS MAY VARY
DEPENDING ON MODEL

PADDLES



This Document
Contains Proprietary
Data that is property
of Pendant Systems
which reserves all
rights to it.
Unauthorized use
without authorization
is prohibited.

Pendant Systems

1670 Winchester Rd.
Bensalem, PA 19020
P-215-638-8552
F-215-638-8554
www.PendantSystems.com

UNLESS OTHERWISE SPECIFIED DIMENSIONS ARE IN BOTH INCHES & MILLIMETERS UNLESS OTHERWISE NOTED TOLERANCES:

LINEAR: XX= .02" XXX= $\pm .010"$ ANGULAR: ± 1 Degree

FINISH:

TITLE:

Non-Feed Lag Screw Wood Mount w-PD Cross

DO NOT SCALE DRAWING

MATERIAL:

Part #

DEBUR AND BREAK SHARP EDGES

REVISION

DRAWN DATE: 3/29/16

Drawn By: MWR

SCALE: NTS

SHEET 1 OF 1