

2" CANOPY

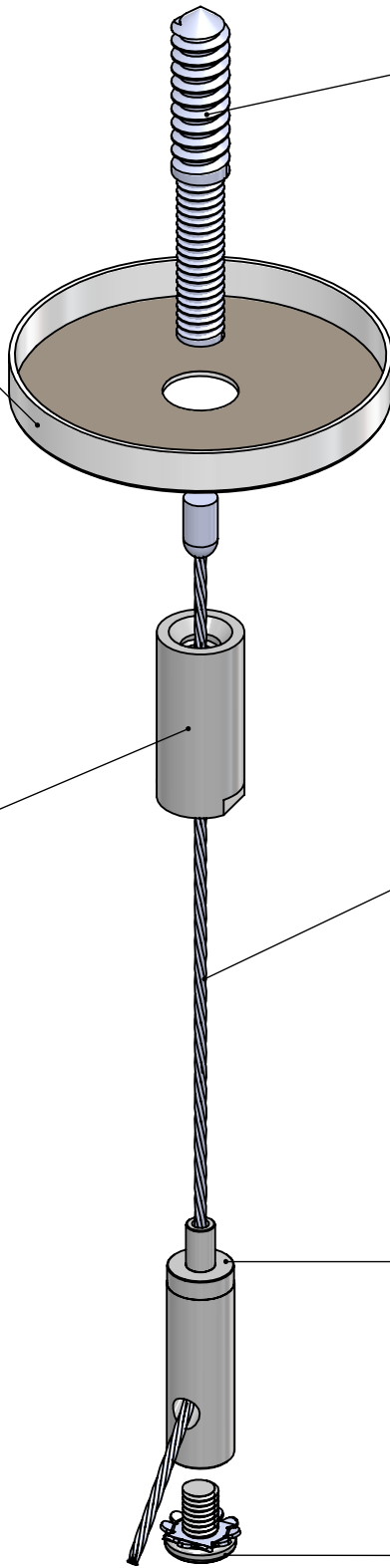
LAG SCREW  
(WOOD)

1 PIECE CABLE  
COUPLER

1/16" CABLE

GRIPPER

\*PARTS MAY VARY  
DEPENDING ON MODEL



This Document  
Contains Proprietary  
Data that is property  
of Pendant Systems  
which reserves all  
rights to it.  
Unauthorized use  
without authorization  
is prohibited.

# Pendant Systems

1670 Winchester Rd.  
Bensalem, PA 19020  
P-215-638-8552  
F-215-638-8554  
[www.PendantSystems.com](http://www.PendantSystems.com)

UNLESS OTHERWISE SPECIFIED DIMENSIONS ARE IN BOTH INCHES & MILLIMETERS UNLESS OTHERWISE NOTED TOLERANCES:

LINEAR: XX= .02" XXX=  $\pm$ .010" ANGULAR:  $\pm$  1 Degree

FINISH:

MATERIAL:

TITLE:

Non-Feed Lag Screw Wood Mount SE

Part #

DO NOT SCALE DRAWING

DEBUR AND BREAK SHARP EDGES

DRAWN DATE: 3/29/16

Drawn By: MWR

SCALE: NTS

SHEET 1 OF 1

REVISION