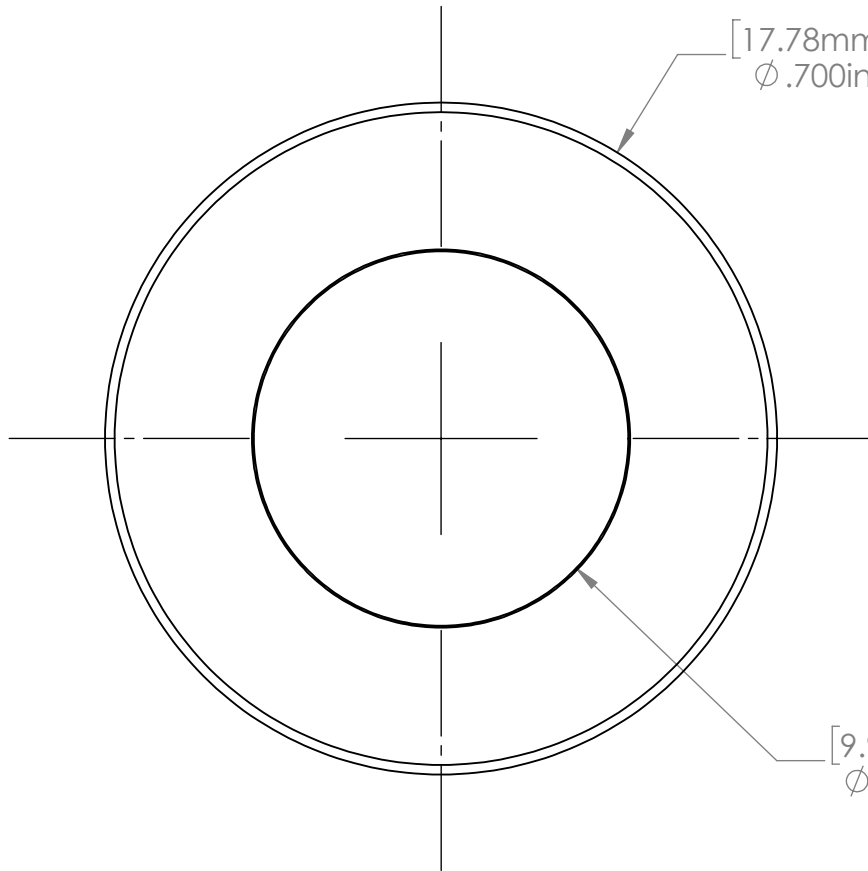
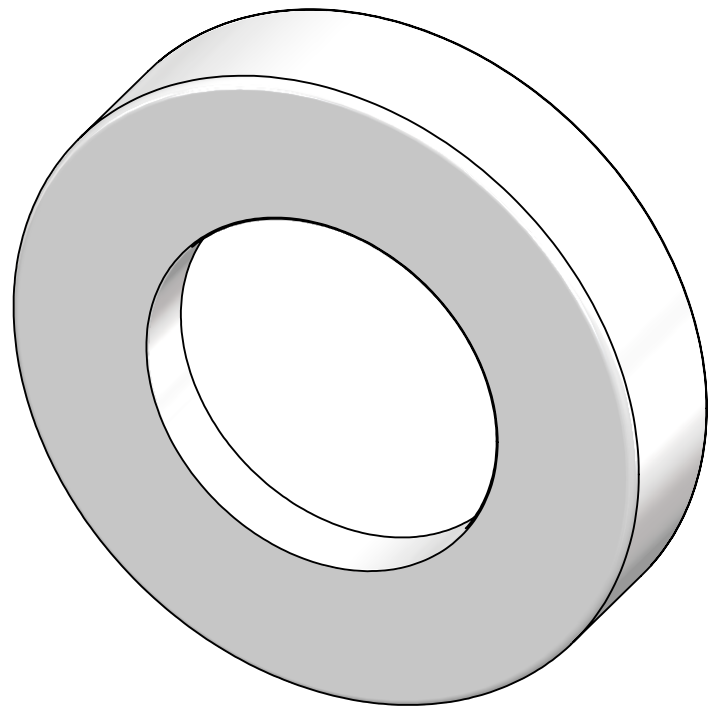




[3.96mm]
.156in



[17.78mm]
Ø .700in

[9.91mm]
Ø .390in

Check Ring for CG Base part of CG Cap when mounting CG Base on surface of fixture
Add Suffix WHT for White, BN for Brushed Nickel, BK for Black, and NK for Nickel

This Document Contains Proprietary Data that is property of Pendant Systems which reserves all rights to it. Unauthorized use without authorization is prohibited.

Pendant Systems

1670 Winchester Rd.
Bensalem, PA 19020
P-215-638-8552
F-215-638-8554
www.PendantSystems.com

UNLESS OTHERWISE SPECIFIED DIMENSIONS ARE IN BOTH INCHES & MILLIMETERS UNLESS OTHERWISE NOTED TOLERANCES:

LINEAR: XX= .02" XXX= \pm .010" ANGULAR: \pm 1 Degree

FINISH:

TITLE: CG Check Ring

DO NOT SCALE DRAWING
DEBUR AND BREAK SHARP EDGES

MATERIAL:

Part #

SCALE: NTS

SHEET 1 OF 1
REVISION

DRAWN DATE: 6/3/16

Drawn By: MWR

SCALE: NTS

SHEET 1 OF 1

1