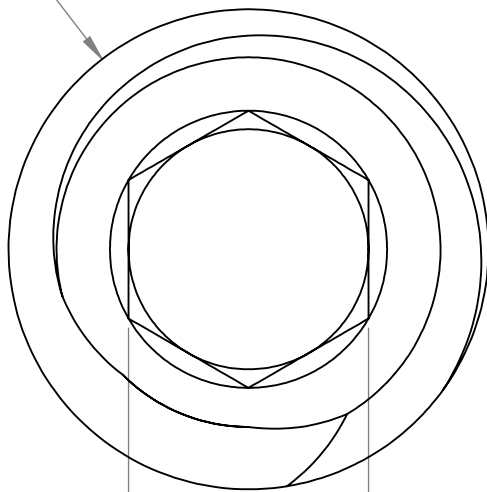


[6.35mm]  
 $\phi$ .250in

1/4"-20 THREAD



[3.18mm]  
 $\phi$ .125in

1/4"-20 Short (.350" L) Socket Set Screw w/  
 .125" DIA Point & 1/8" Allen Hex Head Pin for  
 ADJ Series Half Balls

This Document  
 Contains Proprietary  
 Data that is property  
 of Pendant Systems  
 which reserves all  
 rights to it.  
 Unauthorized use  
 without authorization  
 is prohibited.

**Pendant Systems**

1670 Winchester Rd.  
 Bensalem, PA 19020  
 P-215-638-8552  
 F-215-638-8554  
 www.PendantSystems.com

UNLESS OTHERWISE SPECIFIED DIMENSIONS ARE IN BOTH INCHES &  
 MILLIMETERS UNLESS OTHERWISE NOTED TOLERANCES:

LINEAR: XX= .02" XXX=  $\pm$ .010" ANGULAR:  $\pm$  1 Degree

FINISH:

TITLE:

ADJ-SS

DO NOT SCALE DRAWING

MATERIAL:

Part #

DEBUR AND BREAK SHARP EDGES

REVISION

DRAWN DATE: 6/3/16

Drawn By: MWR

SCALE: NTS

SHEET 1 OF 1