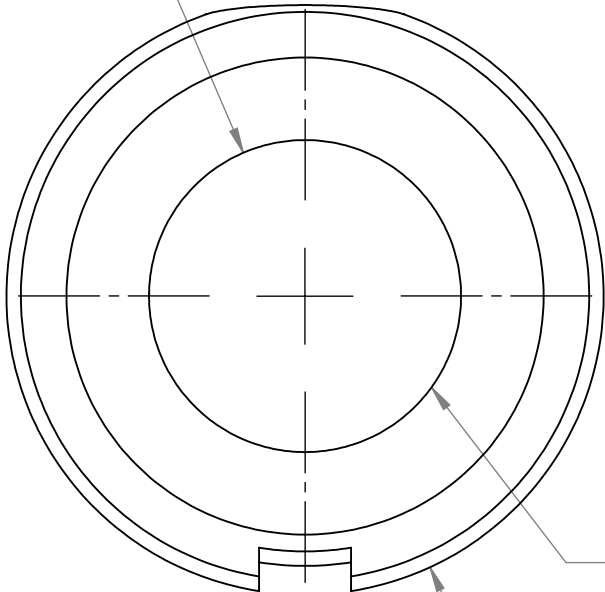
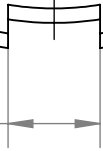


[16.51mm]
 \varnothing .650in

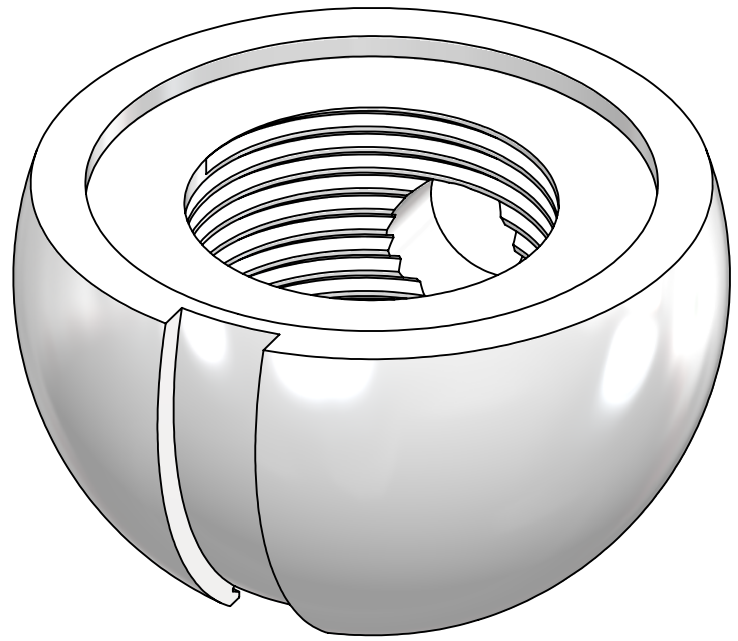


[4.88mm]
 .192in

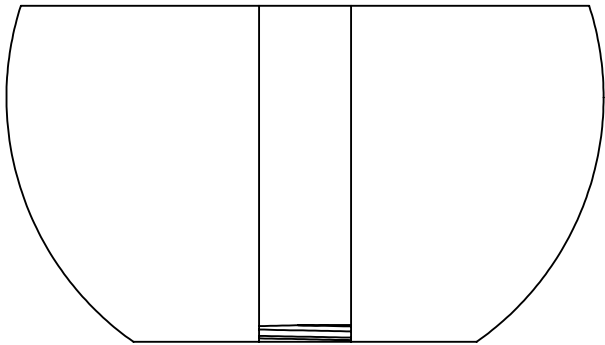


3/8" IP THREAD

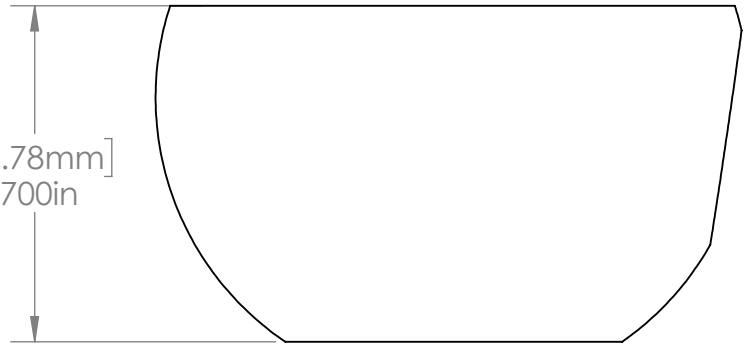
[15.80mm]
 R.622in



[30.07mm]
 \varnothing 1.184in



[17.78mm]
 .700in



Half Ball
 3/8" IP Tap x 1.184" W x .700" H
 Bright Zinc Casting for #33 Crossbar
 Add Suffix WPB for White, BPB for Black and
 NK for Nickel

This Document
 Contains Proprietary
 Data that is property
 of Pendant Systems
 which reserves all
 rights to it.
 Unauthorized use
 without authorization
 is prohibited.

Pendant Systems

1670 Winchester Rd.
 Bensalem, PA 19020
 P-215-638-8552
 F-215-638-8554
 www.PendantSystems.com

UNLESS OTHERWISE SPECIFIED DIMENSIONS ARE IN BOTH INCHES & MILLIMETERS UNLESS OTHERWISE NOTED TOLERANCES:

LINEAR: XX= .02" XXX= \pm .010" ANGULAR: \pm 1 Degree

FINISH:

TITLE:

34

DO NOT SCALE DRAWING

MATERIAL:

Part #

DEBUR AND BREAK SHARP EDGES

REVISION

DRAWN DATE: 6/2/16

Drawn By: MWR

SCALE: NTS

SHEET 1 OF 1