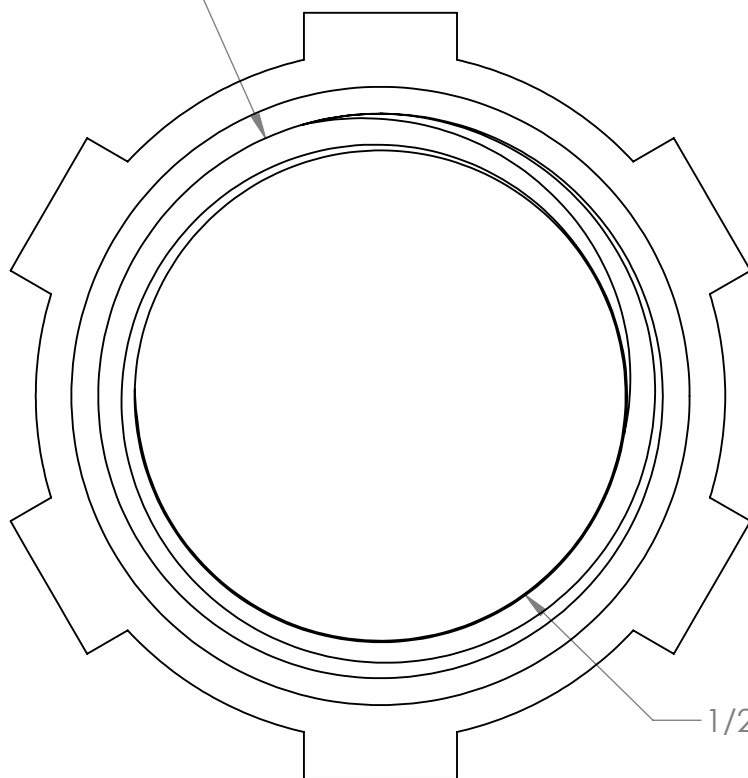
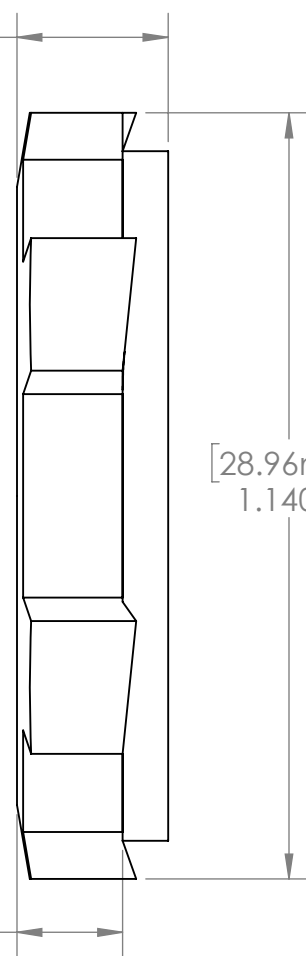


[10.67mm]
R.420in



[5.72mm]
.225in



[28.96mm]
1.140in

1/2" IP THREAD

[4mm]
.1575in

1/2" IP Sealing Locknut w/PVC Molded Gasket
1.14" O.D. x .225" H
Zinc Plated

This Document Contains Proprietary Data that is property of Pendant Systems which reserves all rights to it. Unauthorized use without authorization is prohibited.

Pendant Systems

1670 Winchester Rd.
Bensalem, PA 19020
P-215-638-8552
F-215-638-8554
www.PendantSystems.com

UNLESS OTHERWISE SPECIFIED DIMENSIONS ARE IN BOTH INCHES & MILLIMETERS UNLESS OTHERWISE NOTED TOLERANCES:

LINEAR: XX= .02" XXX= \pm .010" ANGULAR: \pm 1 Degree

FINISH:

TITLE:

78

DO NOT SCALE DRAWING

MATERIAL:

Part #

DEBUR AND BREAK SHARP EDGES

REVISION

DRAWN DATE: 5/23/16

Drawn By: MWR

SCALE: NTS

SHEET 1 OF 1