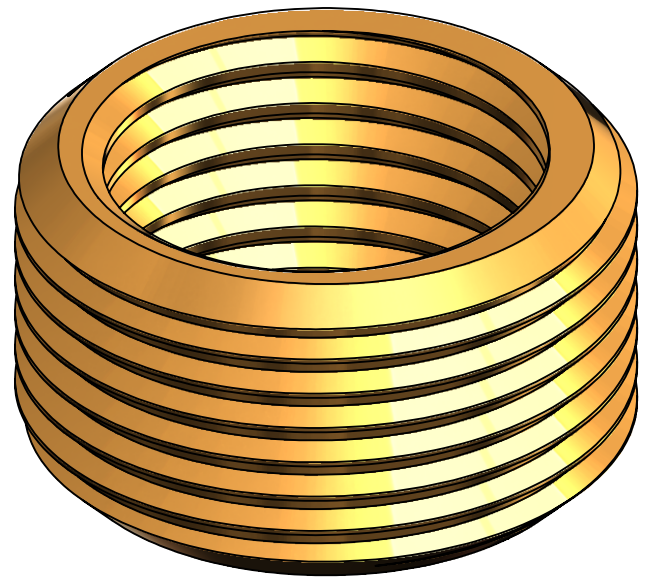
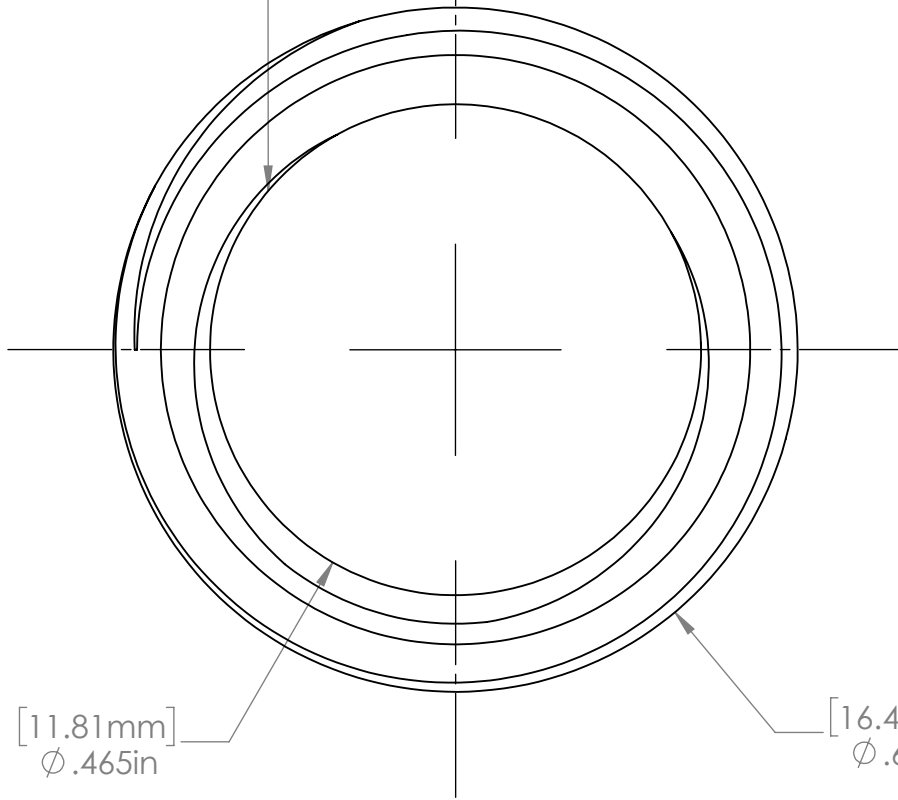
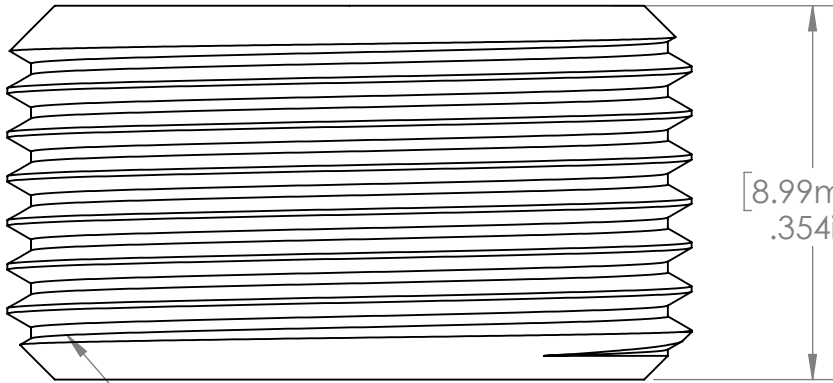


1/4"IP THREAD



[11.81mm]  
Ø .465in

[16.46mm]  
Ø .648in



[8.99mm]  
.354in

3/8"IP THREAD

3/8" IP Outside Thread x 1/4" IP Tap x .345" H Brass Reducer

This Document Contains Proprietary Data that is property of Pendant Systems which reserves all rights to it. Unauthorized use without authorization is prohibited.

**Pendant Systems**

1670 Winchester Rd.  
Bensalem, PA 19020  
P-215-638-8552  
F-215-638-8554  
www.PendantSystems.com

UNLESS OTHERWISE SPECIFIED DIMENSIONS ARE IN BOTH INCHES & MILLIMETERS UNLESS OTHERWISE NOTED TOLERANCES:

LINEAR: XX= .02" XXX=  $\pm$ .010" ANGULAR:  $\pm$  1 Degree

FINISH:

TITLE:

53

DO NOT SCALE DRAWING

MATERIAL:

Part #

DEBUR AND BREAK SHARP EDGES

REVISION

DRAWN DATE: 5/13/16

Drawn By: MWR

SCALE: NTS

SHEET 1 OF 1