

[3.51mm]  
 $\phi$ .138in

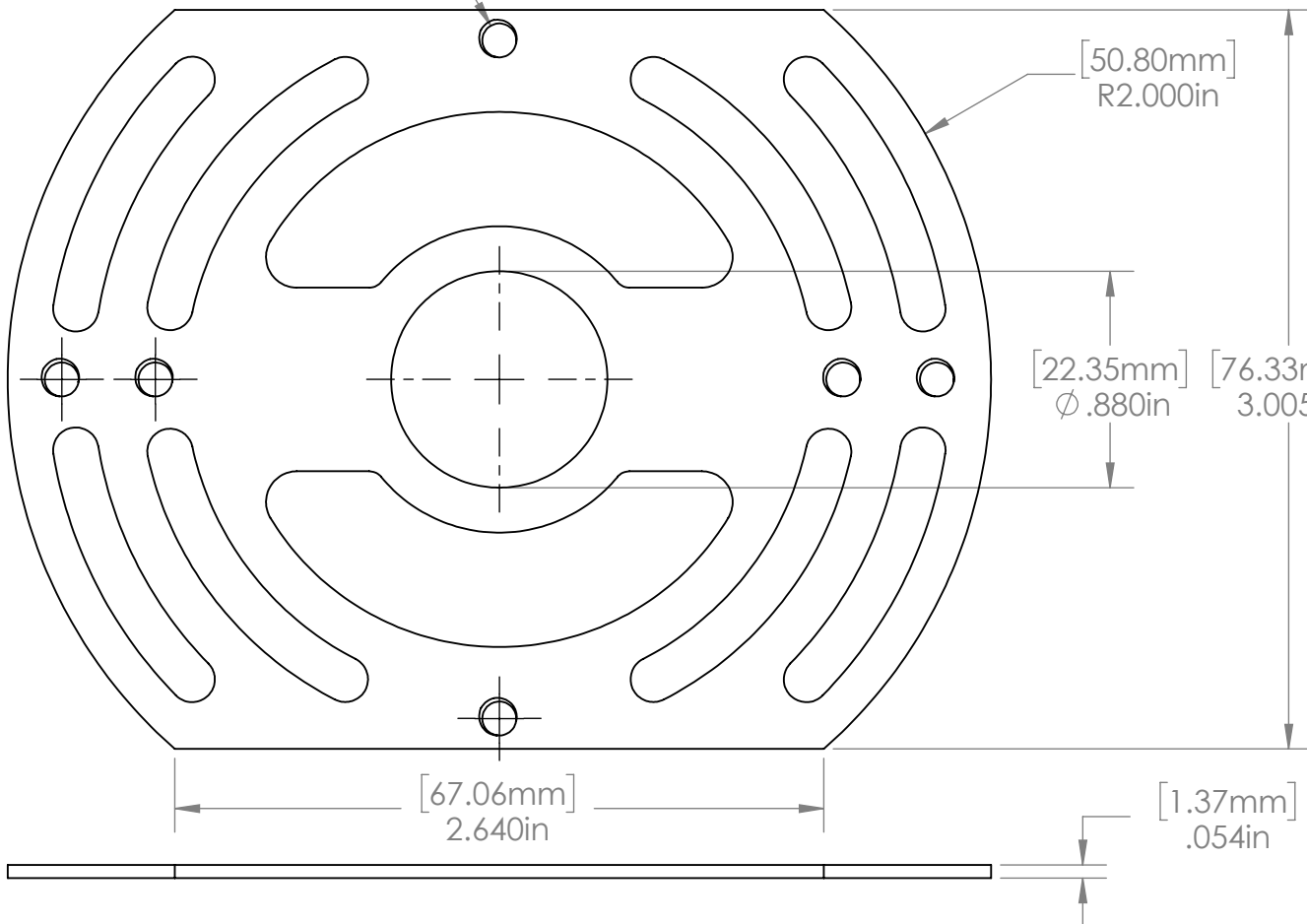
[50.80mm]  
 R2.000in

[22.35mm]  
 $\phi$ .880in

[76.33mm]  
 3.005in

[67.06mm]  
 2.640in

[1.37mm]  
 .054in



1/2" IP Slip Center Hole  
 4" L x 3.005" W x .054" Material Thickness  
 Zinc Plated

This Document  
 Contains Proprietary  
 Data that is property  
 of Pendant Systems  
 which reserves all  
 rights to it.  
 Unauthorized use  
 without authorization  
 is prohibited.

# Pendant Systems

1670 Winchester Rd.  
 Bensalem, PA 19020  
 P-215-638-8552  
 F-215-638-8554  
 www.PendantSystems.com

UNLESS OTHERWISE SPECIFIED DIMENSIONS ARE IN BOTH INCHES & MILLIMETERS UNLESS OTHERWISE NOTED TOLERANCES:

LINEAR: XX= .02" XXX=  $\pm$ .010" ANGULAR:  $\pm$  1 Degree

FINISH:

TITLE:

143

DO NOT SCALE DRAWING

MATERIAL:

Part #

DEBUR AND BREAK SHARP EDGES

REVISION

DRAWN DATE: 5/16/16

Drawn By: MWR

SCALE: NTS

SHEET 1 OF 1