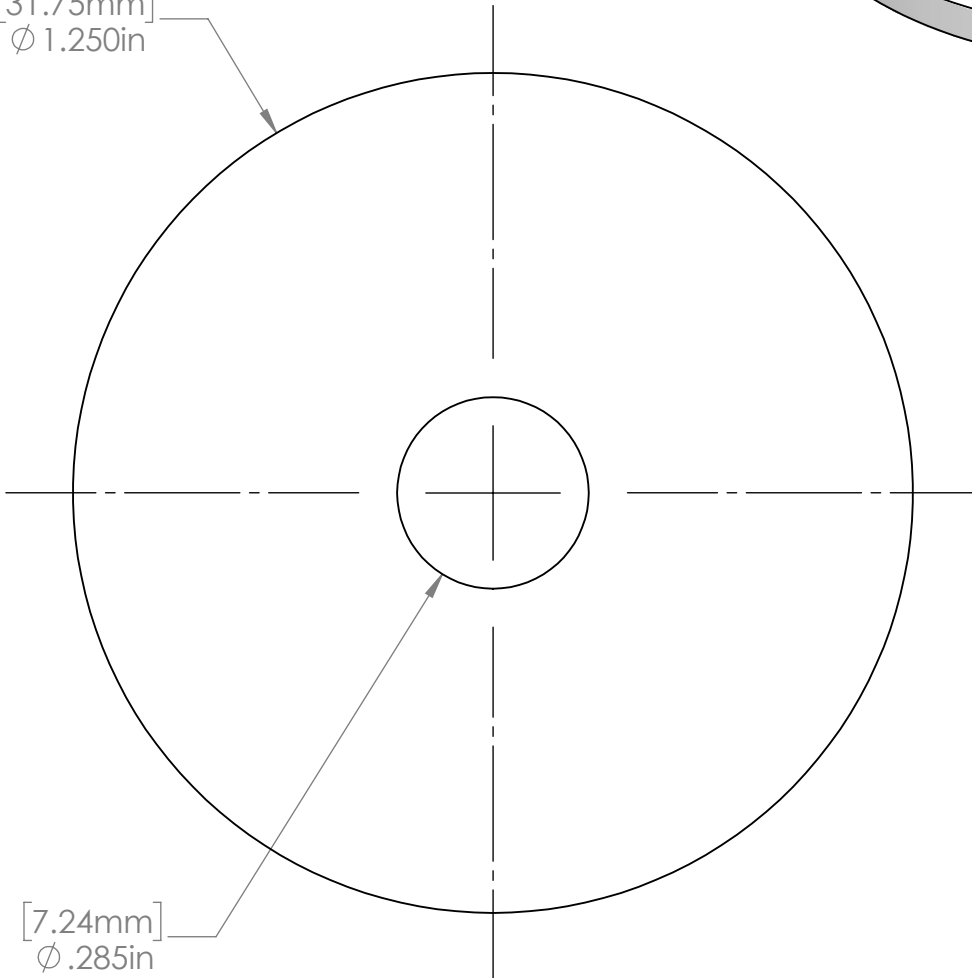
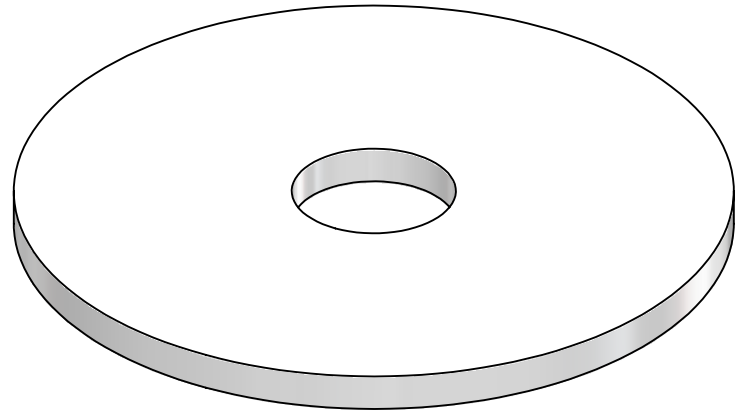
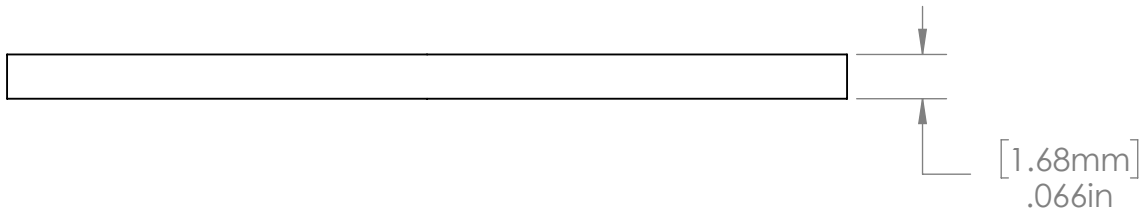


[31.75mm]
 \varnothing 1.250in



[7.24mm]
 \varnothing .285in



[1.68mm]
 .066in

1/4"-20 Washer
 1.25" O.D. x .066" Thick
 Zinc Plated

This Document
 Contains Proprietary
 Data that is property
 of Pendant Systems
 which reserves all
 rights to it.
 Unauthorized use
 without authorization
 is prohibited.

Pendant Systems

1670 Winchester Rd.
 Bensalem, PA 19020
 P-215-638-8552
 F-215-638-8554
 www.PendantSystems.com

UNLESS OTHERWISE SPECIFIED DIMENSIONS ARE IN BOTH INCHES & MILLIMETERS UNLESS OTHERWISE NOTED TOLERANCES: LINEAR: XX= .02" XXX= \pm .010" ANGULAR: \pm 1 Degree		FINISH:	TITLE: 124	
DO NOT SCALE DRAWING	MATERIAL:	Part #		REVISION
DEBUR AND BREAK SHARP EDGES		SCALE: NTS	SHEET 1 OF 1	
DRAWN DATE: 5/23/16	Drawn By: MWR			