

| ITEM NO. | PART NUMBER       | DESCRIPTION   | QTY. |
|----------|-------------------|---|------|
| 1        | 276               | 5" Round w/ 1.18" CH  | 1    |
| 2        | MP Crossbar Round | 4.75" Round Crossbar .080" Material Thickness Zinc Plated Steel   | 1    |
| 3        | MP Swivel Clip    | Mono Point Swivel Retaining Clip for MP-Plate HB Spring Steel   | 1    |
| 4        | #237              | .875" Hole Bushing .945" W x .750" I.D. x .250" H .063" Max Panel Thickness   | 1    |
| 5        | MP Plate HB       | Monopoint Plate for Half Ball for MP Crossbar 2.82" L x 1.650" W x .075" Material Thickness Half Ball Opening for #35, #34 and #147 Tapped 8/32" Hole Zinc Plated Steel | 1    |
| 6        | Magnet            | #6 & #8 Magnet  | 2    |
| 7        | 271               | 6/32" x 1/4" L Flat Head Philips Machine Screw  | 2    |
| 8        | #34               | 3/8" IP Tap Half Ball   | 1    |
| 9        | 183               | 8/32" x 1/4" Philip Head Ext Sems Steel Zinc Screw  | 1    |
| 10       | #32               | 8/32 Green Ground Screw   | 1    |
| 11       | #22               | 3/8" IP x 1 1/16" Square x .073" Thick Zinc Plated  | 2    |

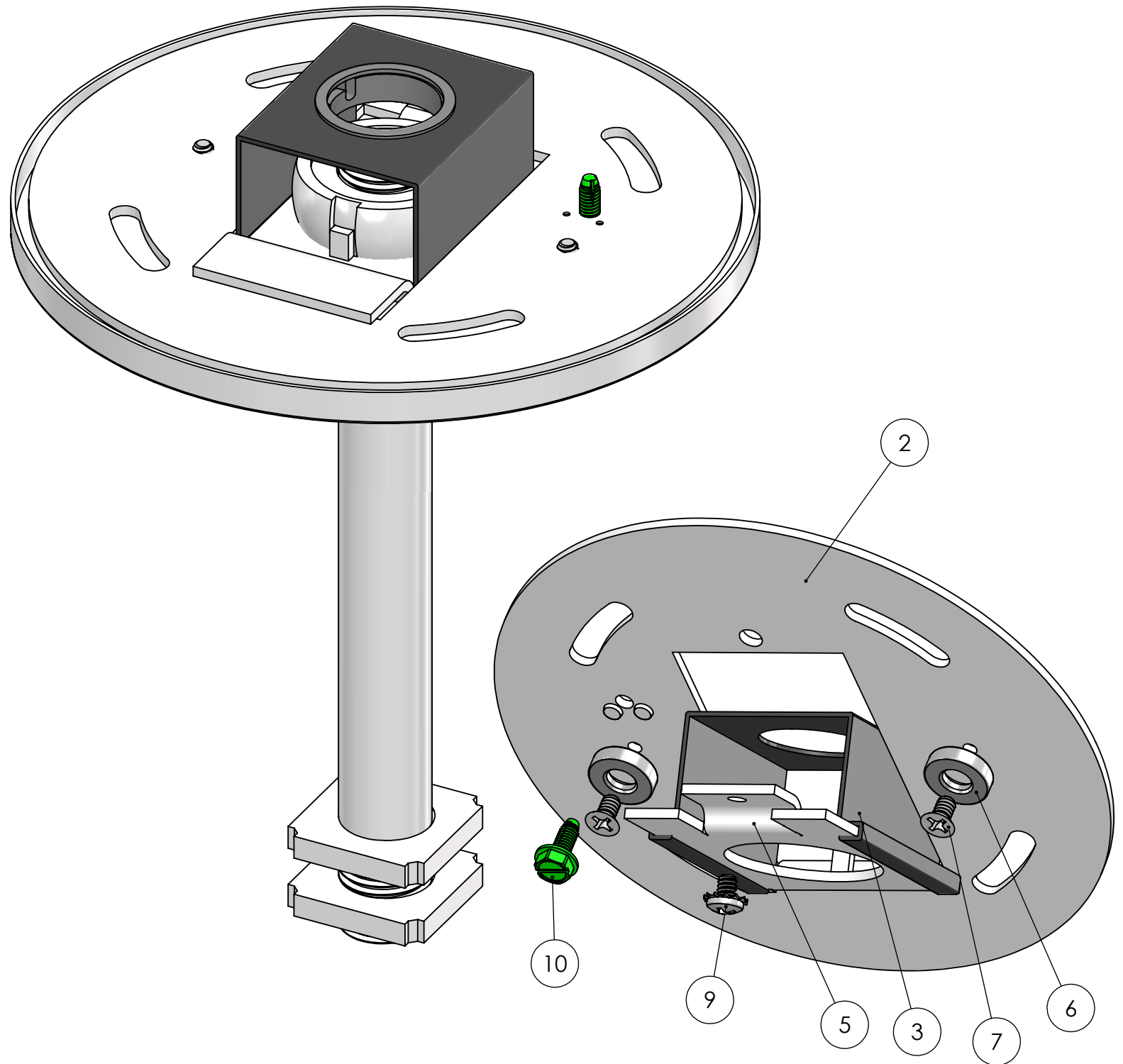
**STEM LENGTH WILL VARY. ORDER SEPARATELY  
MP SW3/8 RD MAG USED WITH STEM 3/8" IP  
3/8" IPS .625"-.635" O.D. 18 T.P.I.**

\*45° SWIVEL

This Document Contains Proprietary Data that is property of Pendant Systems which reserves all rights to it. Unauthorized use without authorization is prohibited.

**Pendant Systems**  
1670 Winchester Rd.  
Bensalem, PA 19020  
P-215-638-8552  
F-215-638-8554  
[www.PendantSystems.com](http://www.PendantSystems.com)

|   |               |            |                                   |
|---|---------------|------------|-----------------------------------|
| UNLESS OTHERWISE SPECIFIED DIMENSIONS ARE IN BOTH INCHES & MILLIMETERS UNLESS OTHERWISE NOTED TOLERANCES:<br>LINEAR: XX= .02" XXX= $\pm .010$ " ANGULAR: $\pm 1$ Degree |               | FINISH:    | TITLE:<br><b>MP SW 3-8 RD MAG</b> |
| DO NOT SCALE DRAWING  | MATERIAL:     | Part #     | REVISION                          |
| DEBUR AND BREAK SHARP EDGES   |               | SCALE: NTS | SHEET 1 OF 2                      |
| DRAWN DATE: 11/18/16  | Drawn By: MWR |            |                                   |



This Document  
Contains Proprietary  
Data that is property  
of Pendant Systems  
which reserves all  
rights to it.  
Unauthorized use  
without authorization  
is prohibited.

**Pendant Systems**  
1670 Winchester Rd.  
Bensalem, PA 19020  
P-215-638-8552  
F-215-638-8554  
[www.PendantSystems.com](http://www.PendantSystems.com)

UNLESS OTHERWISE SPECIFIED DIMENSIONS ARE IN BOTH INCHES & MILLIMETERS UNLESS OTHERWISE NOTED TOLERANCES:  
LINEAR: XX= .02" XXX=  $\pm$ .010" ANGULAR:  $\pm$  1 Degree

FINISH:

TITLE:  
MP SW 3-8 RD MAG Assembled

DO NOT SCALE DRAWING  
DEBUR AND BREAK SHARP EDGES

MATERIAL:

Part #

REVISION

DRAWN DATE: 11/18/16

Drawn By: MWR

SCALE: NTS

SHEET 2 OF 2