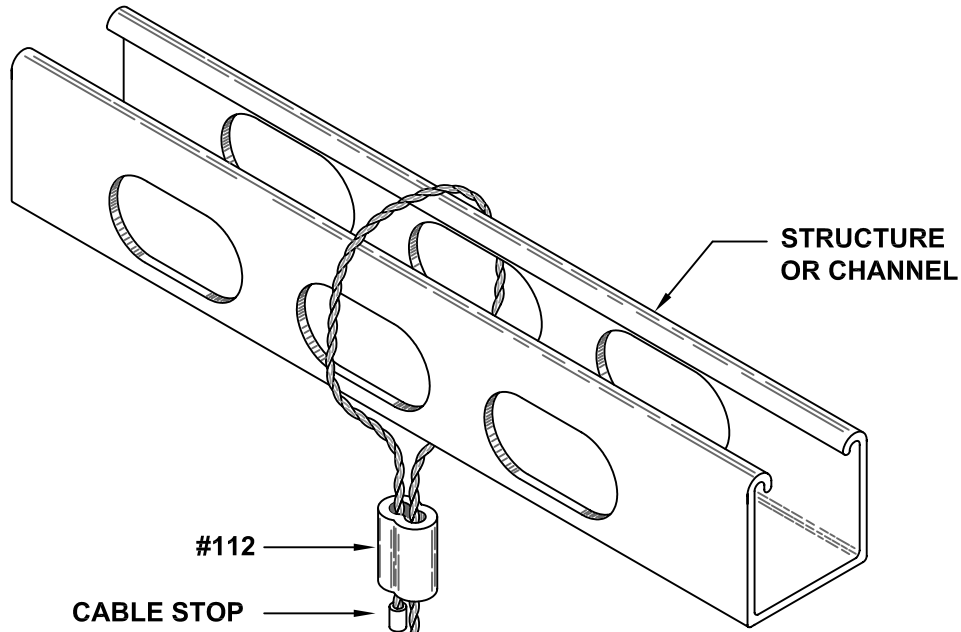


# HIGH BAY LOOP AND PADDLE WITH GRIPPER



**PART #389402**

